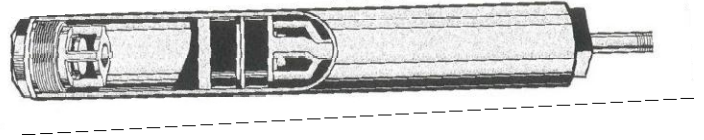


WINDMILL PUMPS

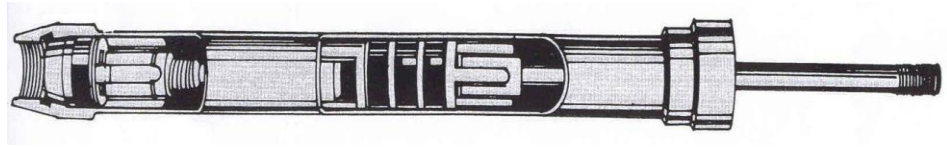


- RAINDROP FLUSH CAP PUMPS

MARINE GRADE ALUMINIUM BRONZE c/w NEOPRENE PUMP BUCKETS & POLYURETHANE VALVE SEAT WASHER. 3 YEAR WARRANTY AGAINST EROSION, CORROSION & FAULTY MANUFACTURE ON CASTINGS					
CODE	PUMP SIZE & STROKE	ROD SIZE	SUCTION BSPF	DISCHARGE BSPF	
FCP200X8	2" x 8"	1/2" W	1 1/4"	1 1/4"	View Products
FCP200X8150	2" x 8"	1/2" W	1 1/2"	1 1/2"	
FCP225X8	2 1/4" x 8"	5/8" W	1 1/2"	1 1/2"	
FCP250X8	2 1/2" x 8"	5/8" W	1 1/2"	1 1/2"	
FCP275X8150	2 3/4" x 8"	5/8" W	1 1/2"	1 1/2"	
FCP275X8	2 3/4" x 8"	5/8" W	2"	2"	
FCP300X8	3" x 8"	5/8" W	2"	2"	
FCP350X8	3 1/2" x 8"	3/4" W	2"	2"	
FCP400X8	4" x 8"	3/4" W	2"	2"	
FCP400X8250	4" x 8"	3/4" W	2 1/2"	2 1/2"	
FCP175X12	1 3/4" x 12"	1/2" W	1"	1 1/2"	View Products
FCP200X12	2" x 12"	1/2" W	1 1/4"	1 1/4"	
FCP200X12150	2" x 12"	1/2" W	1 1/2"	1 1/2"	
FCP225X12	2 1/4" x 12"	5/8" W	1 1/2"	1 1/2"	
FCP250X12	2 1/2" x 12"	5/8" W	1 1/2"	1 1/2"	
FCP250X18	2 1/2" x 18"	5/8" W	1 1/2"	1 1/2"	
FCP275X12150	2 3/4" x 12"	5/8" W	1 1/2"	1 1/2"	
FCP275X12	2 3/4" x 12"	5/8" W	2"	2"	
FCP275X18150	2 3/4" x 18"	5/8" W	1 1/2"	1 1/2"	
FCP275X18	2 3/4" x 18"	5/8" W	2"	2"	
FCP300X12	3" x 12"	5/8" W	2"	2"	
FCP300X18	3" x 18"	5/8" W	2"	2"	
FCP300X24	3" x 24"	5/8" W	2"	2"	
FCP350X12	3 1/2" x 12"	3/4" W	2"	2"	
FCP350X18	3 1/2" x 18"	3/4" W	2"	2"	
FCP350X24	3 1/2" x 24"	3/4" W	2"	2"	
FCP400X10	4" x 10"	3/4" W	2"	2"	
FCP400X10250	4" x 10"	3/4" W	2 1/2"	2 1/2"	
FCP400X12	4" x 12"	3/4" W	2"	2"	
FCP400X12250	4" x 12"	3/4" W	2 1/2"	2 1/2"	
FCP400X18	4" x 18"	3/4" W	2"	2"	
FCP400X18250	4" x 18"	3/4" W	2 1/2"	2 1/2"	
FCP400X24	4" x 24"	3/4" W	2"	2"	
FCP400X24250	4" x 24"	3/4" W	2 1/2"	2 1/2"	

- Other Pump & Stroke sizes available on request.: Price on application
- For aggressive water conditions, all pump sizes can be fitted with 316 S/Steel seats at extra cost – Price on application.

- **RAINDROP & COMET DRAW PLUNGERS**



CODE	SIZE & STROKE	ROD SIZE	SUCTION	DISCHARGE	
RAINDROP – Fitted with neoprene Buckets – Stainless Steel seats as standard					
RDPP27518	2¾" x 18"	7/8"W	2" BSPF	3" BSPF	View Products
RDPP32524	3¼" x 24"	1"W	2" BSPF	4" Casing male	

COMET – Fitted with Leather Buckets					
CODPP42524	4¼" x 24"	1" W	2½ BSPF	5" Casing male	View Products

- **BELVIDERE WIND CONVERT-A-VALVE**

For connecting Submersible Pump beneath Windmill Pump

Unit weight: 2.2 Kg. Unit OD: 4 1/8"

Two pumps in the one bore. Cast in non corrosive brass to BS1400.

Suitable for use on all windmills with up to 4" Flush cap pumps & all types of submersible pumps. Adaptable to 2" or 1½" BSP thread both ends (2" BSP male both ends externally & 1½" BSP Female both ends internally).

Smaller Valve (**BWCAVS**) has 1¼" BSP Male thread only (suitable for 4" Bore Casing)

Code	OD (mm)	THREADS	
BWCAV	104mm (4 1/8")	2"M & 1½"F	Contact us
BWCAVS	84mm (3 5/16")	1¼" Male only	

BWCAVRKL	Belvidere Repair kit for Large Belvidere	Contact us
BWCAVRKS	Belvidere Repair kit for Small Belvidere	



BWCAVS



BWCAV



REPAIR KIT

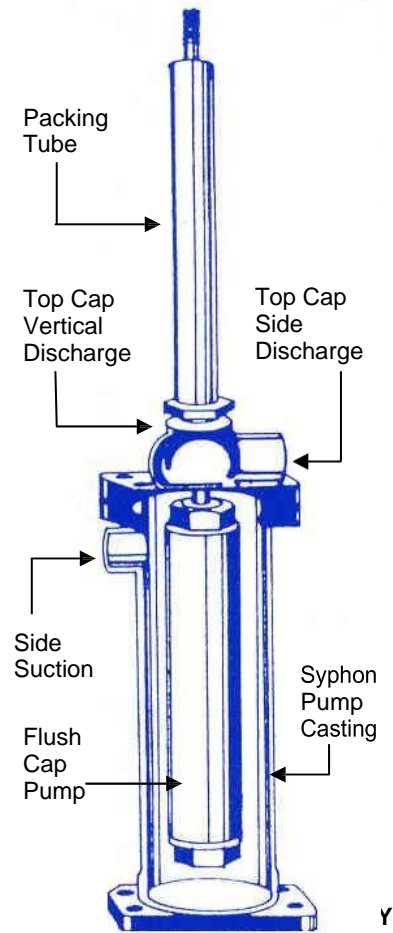
- **BORESAVER, IRON KLEEN, ULTRA C & MULTIKLEEN**

CODE	DESCRIPTION	
Boresaver		
YABBS01	Boresaver 1 L size – suitable for 20 doses	Contact us
YABBS05	Boresaver 5 L size – suitable for 100 doses	
Iron Kleen		
YABK10	10 Kg Pail Iron Kleen (makes 100L)	Contact us
YABMK20	20 L Drum Boresaver MultiKleen	
Stainstopper		
YABSSCR	StainStopper Refill - AQUATEK 5Kg	Contact us
Ultra C		
YABUC10	10 Kg Pail of Ultra 'C'	Contact us



● **RAINDROP SYPHON PUMPS & ACCESSORIES**

CODE	SIZE & STROKE	
Syphon pump c/w 1 3/8" Packing Tube & Ertacetal P/tube insert Medium duty -Side Discharge		
SP200X8	2" x 8"	View Products
SP225X8	2 1/4" x 8"	
SP250X8	2 1/2" x 8"	
SP300X8	3" x 8"	
SP350X8	3 1/2" x 8"	
For vertical discharge i.e Syphon Pump without Packing tube but c/w Plug: deduct \$122-50 (Retail)		
SP200X12	2" x 12"	View Products
SP225X12	2 1/4" x 12"	
SP250X12	2 1/2" x 12"	
SP275X12	2 3/4" x 12"	
SP300X12	3" x 12"	
SP350X12	3 1/2" x 12"	
SP400X10	4" x 10"	
For vertical discharge i.e Syphon Pump without Packing tube but c/w Plug: deduct \$141-00 (Retail)		



SYPHON PUMP CASTINGS		
SPCS	Small Syphon Pump Casting Vertical Discharge: 1 1/4" BSPF Side Discharge & Suction: 1 1/2" BSPF	View Products
SPCL	Large Syphon Pump Casting Vertical Discharge: 1 1/2" BSPF Side Discharge & Suction: 2" BSPF	
CASTINGS SUPPLIED c/w TOP CAP, GASKET & 4 BOLTS, NUTS & WASHERS		
SMALL CASTINGS SUIT: 2", 2 1/4" & 2 1/2" FLUSH CAP PUMPS		
LARGE CASTINGS SUIT: 2 3/4", 3", 3 1/2" & 4" FLUSH CAP PUMPS		

SYPHON PUMP TOP CAPS		
SPCAPS	Small Syphon pump Top cap	View Products
SPCAPL	Large Syphon pump Top cap	
SPGS	Small Syphon Pump Top cap gasket	
SPGL	Large Syphon Pump Top cap gasket	
Top caps supplied c/w gasket, 4 Bolts, nuts & washers		

● **RAINDROP PACKING TUBES – COMPENSATORS**

CODE	SIZE & STROKE	
PT138S	1 3/8" x 8" Stroke, 5/8" W/rod, 2 Buckets – c/w Bush (screws 1 1/2" or 1 1/4")	View Products
PT138L	1 3/8" x 12" Stroke (Long, 5/8" W/rod, 2 Buckets – c/w Bush (screws 1 1/2" or 1 1/4")	
PT178	1 7/8" x 12" Stroke, 3/4" W/rod, 3 Buckets – c/w Bush which screws 2"	



- **ERTACETAL (H.D. NYLON TYPE) PACKING TUBE INSERTS**

Code	ITEM DESCRIPTION		
ERT138	Suits 1 ³ / ₈ " Packing Tube	View Products	
ERT134	Suits 1 ³ / ₄ " Packing Tube		
ERT178	Suits 1 ⁷ / ₈ " Packing Tube		



The ERTACETAL INSERT has to be placed over the packing tube rod & tapped evenly into the barrel which ensures a very tight fit. Its purpose is to keep the packing tube rod centralized in the barrel virtually eliminating most of the friction between the buckets and the barrel.

- **SUBMERSIBLE PUMP SHROUD ADAPTOR**

CODE	DESCRIPTION		
SA10050	To suit 50mm Pump Column	View Products	
SA10040	To suit 40mm Pump Column		
SA10032	To suit 32mm Pump Column		



- **SOUTHERN CROSS TOP CAP, BARREL & CAGE WASHER SET**

Set of 2 washers to suit SX Syphon Pumps

Code	Description		
TCCBW5065	SX Top Cap, Barrel & Cage Leather washer set to suit 2", 2¹/₄" & 2¹/₂" Pump sizes Large washer: 4 ⁵ / ₈ " x 3 ³ / ₄ " x 4mm Small washer: 3 ³ / ₄ " x 3" x 4mm	Contact us	
TCCBW80	SX Top Cap, Barrel & Cage Leather washer set to suit 3" Pump size Large washer: 5 ¹ / ₈ " x 4 ¹ / ₄ " x 4mm Small washer: 4 ¹ / ₄ " x 3 5/16" x 4mm		
TCCBW90	SX Top Cap, Barrel & Cage Leather washer set to suit 3¹/₂" Pump size Large washer: 5 ³ / ₄ " x 4 ³ / ₄ " x 4mm Small washer: 4 ³ / ₄ " x 3 ³ / ₄ " x 4mm		
TCCBW100	SX Top Cap, Barrel & Cage Leather washer set to suit 4" Pump size Large washer: 6 ¹ / ₄ " x 5 ¹ / ₄ " x 4mm Small washer: 5 ¹ / ₄ " x 4 ¹ / ₄ " x 4mm		
TCCBW112	SX Top Cap, Barrel & Cage Leather washer set to suit 4¹/₂" Pump size Large washer: 7" x 6 ¹ / ₄ " x 4mm Small washer: 6 ¹ / ₄ " x 4 ³ / ₄ " x 4mm		
TCCBW125	SX Top Cap, Barrel & Cage Leather washer set to suit 5" Pump size Large washer: 7 ¹ / ₄ " x 6 ¹ / ₄ " x 4mm Small washer: 6 ¹ / ₄ " x 5 ³ / ₈ " x 4mm		

- **ALDERDICE BRASS FOUNDERS PRODUCTS – BORE PUMPS, FLOAT VALVES, FOOT & CHECK VALVES**

- **FLUSH CAP, DRAW PLUNGER & PACKING TUBE SPARE PARTS LIST**

RAINDROP FLUSH CAP PUMPS PARTS PRICE LIST (Prices Excl. GST)								
P/No.	Part Description	PUMP SIZES						
		2"	2¼"	2½"	2¾"	3"	3½"	4"
9	Top cap c/w 'O'-ring (1¼" or 1½" BSPF)							
10	Bottom Valve Cage							
11	Mushroom Valve c/w PU40 washer **							
12	Bottom Valve seat & Bush c/w 'O'-ring							
13	Plunger Cage							
14	Bucket Spacer							
15	Bucket Holder							
16	Rod – (8" Stroke) Measures 12" long							
17	Rod – (12" Stroke) Measures 17" long (19" on the 3½" and 20½" on 4" pumps)							
18	Barrel – Long 20" (12" Stroke) c/w 2 x O-ring							
19	Barrel – Short 15" (8" Stroke) c/w 2 x O-ring							
20	PU40 Washer to suit P/N11 (Pkt.of 2)- Each:							
22	8" Plunger assembly complete*							
23	12" Plunger assembly complete*							
24	PU40 Sheet (1 sq. foot x ⅛" thick)							
25	O-ring to suit Cap							

* Plunger assembly consists of P/Nos. 11, 13, 14, 15, 16 or 17 without fitted buckets. Please specify pump size when ordering – exploded view of parts on next page

** When ordering 2¾" P/No. 11 Mushroom Valve for FC Pump, please specify whether for plunger cage or bottom cage.

(*) Compensator Plunger Assembly consists of P/Nos. 1, 2, 3 & 4 or 5 without neoprene pump buckets

