

# TOPAZ PARTFILL

## PRODUCT INFO



# Partfill

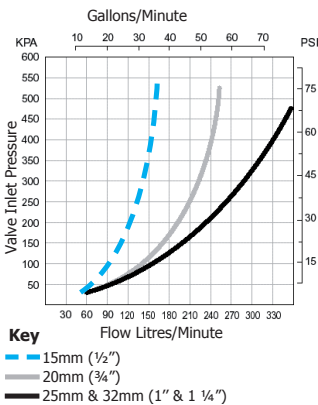
### Description

Topaz Part Fill is a high flow valve intended for use in rain water harvesting tanks. The purpose of the float valve is to automatically maintain a low level of water in the tank during periods of no or low rainfall. This allows services fed by the tank to continue while leaving capacity in the tank for refilling by the next rain.

### Applications

- Maintaining water levels in:
- Rain water harvesting tanks
  - Water cisterns
  - Irrigation and process applications.

### Flow Graph



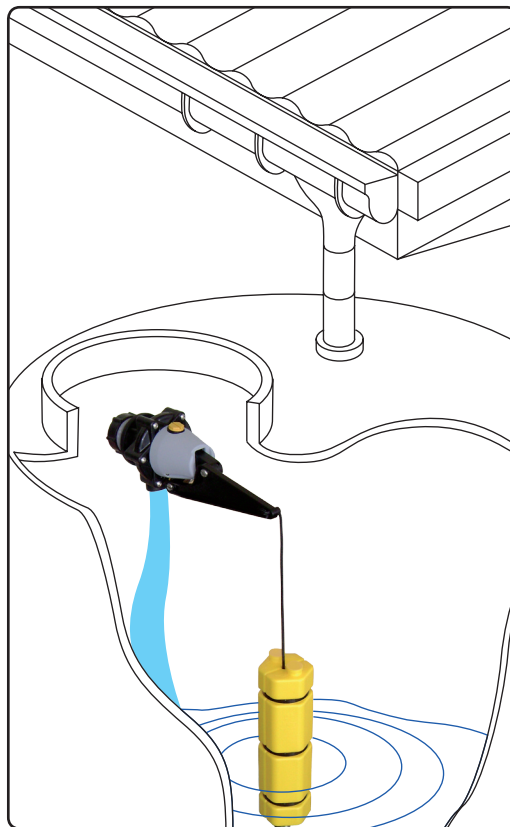
### Features

- Ideal for use with all makes and models of rain water harvesting tanks
- Compact
- Constructed from non corroding materials
- Built in non return valve
- Valve can be locked in off position using the lock off switch
- Up to 150mm differential obtainable (dependant on pressure)
- Detach™ Valve Seal Access System for quick access to valve seal (Patented)

### Available Inlet Sizes

- 15mm (1/2")
- 20mm (3/4")
- 25mm (1")
- 32mm (1 1/4")

All supplied in Detach™ long tail thread with back nut.



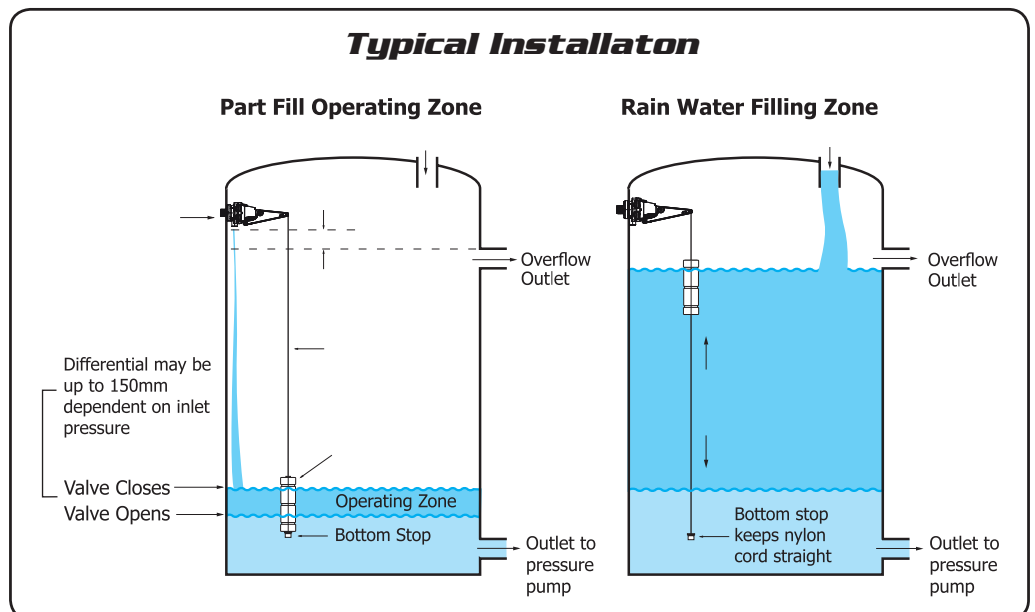
### Principle of Operation

- The Valve is installed through the side wall of a storage tank. It should be mounted above the overflow level of the tank to prevent backflow.
- As the tank empties the weighted float travels down the cord and sits on the bottom stop to activate the valve.
- The valve will run until the weighted float lifts clear of the bottom stop.
- The float will then rise as rainwater fills the tank and falls as the tank water is used.
- The Valve will only function at times when rain fall is insufficient to maintain a water level in the tank above the bottom stop.

### Pressure Range

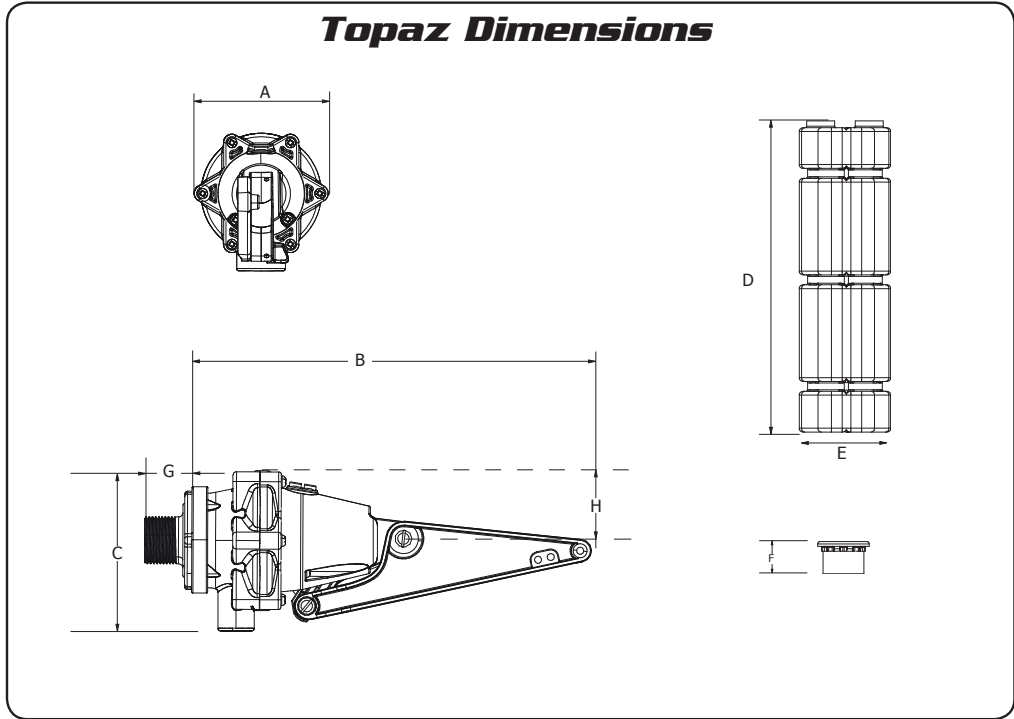
0.3 Bar – 10 Bar (5 psi-150 psi)

### Typical Installaton



# TOPAZ PARTFILL

## DIMENSIONS & MATERIALS



<b>Topaz Dimensions</b>		
	mm	inches
A	88	3 1/2
B	227	8 15/16
C	90	3 17/32
D	208	8 3/16
E	62	2 7/16
F	20	12/16
G	15mm (1/2") Long Tail	3 15/16
	20mm (3/4") Long Tail	1 13/16
	25mm (1") Long Tail	2 7/16
	32mm (1 1/4") Long Tail	2 21/32
H	35	1 3/8

<b>Materials</b>	
Valve Body	ABS
Yellow & White Internal Parts	Acetal
Filter	Acetal
Diaphragm	EPDM
Seal	Urethane
Springs, Bolts, Nuts, Pin, Screws	304 Stainless Steel
Detach Seal	Santoprene
O'Rings	Nitrile
Float	HDPE
Float Cord	Polyester

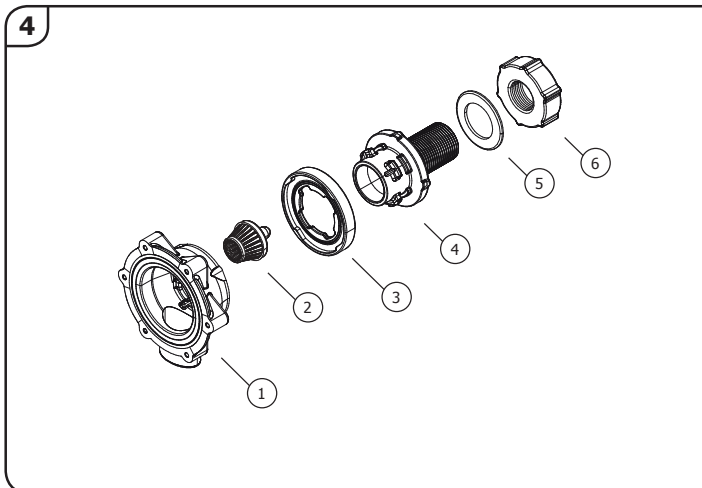
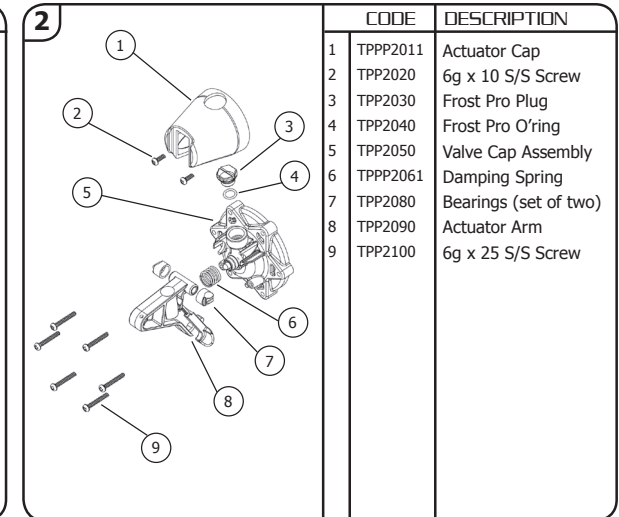
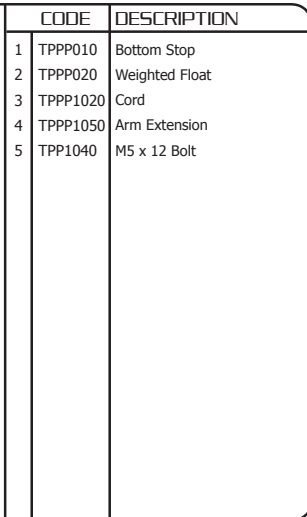
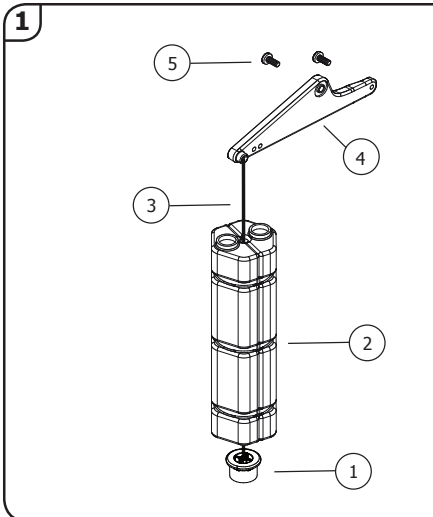
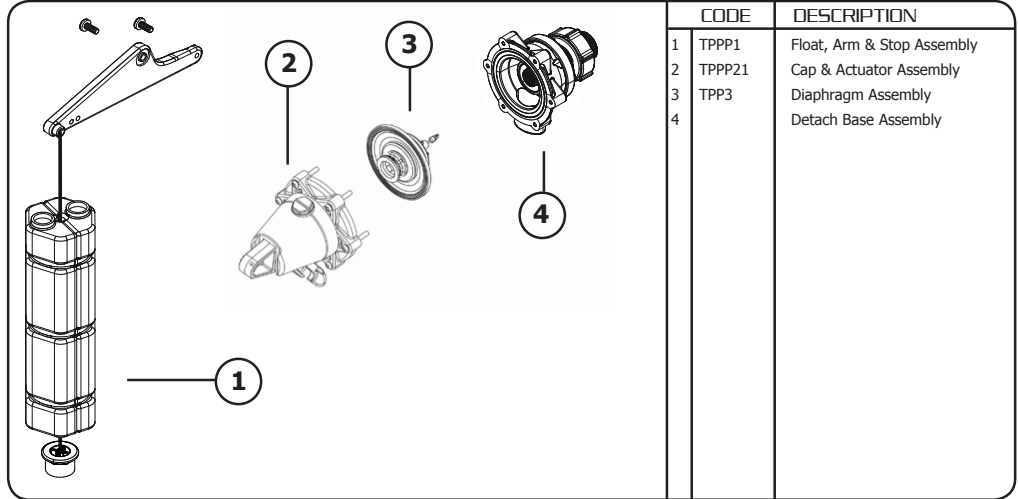
Maximum Temperature of Operation 45°C, 115°F  
 NB: High Temperature models on request.

# TOPAZ PARTFILL

## PARTS IDENTIFICATION SHEET



### TOPAZ™ Partfill



CODE	DESCRIPTION
1	TPP4A010 Detach Base
2	TPP4A030 Detach Filter
3	TPP4A020 Detach Seal
4	TPP4A0410 Detach Tail 15mm (1/2") Long
	TPP4A0420 Detach Tail 20mm (3/4") Long
	TPP4A0431 Detach Tail 25mm (1") Long
	TPP4A0432 Detach Tail 1" NPT Long
	TPP4A0441 Detach Tail 32mm (1 1/4") Long
	TPP4A0442 Detach Tail 1 1/4" NPT Long
5	TPP4A050 Seal Washer 15mm (1/2")
	TPP4A051 Seal Washer 20mm (3/4")
	TPP4A052 Seal Washer 25mm (1")
	TPP4A053 Seal Washer 32mm (1 1/4")
	TPP4A054 Backing Washer 32mm (1 1/4")
6	TPP4A060 Backnut 15mm (1/2")
	TPP4A061 Backnut 20mm (3/4")
	TPP4A062 Backnut 25mm (1")
	TPP4A063 Backnut 32mm (1 1/4")