

# FLORICOM

## Soil Moisture Sensor for your controller

### Applications

- For Efficient and Precise Irrigation
- Where programming is a nuisance
- For any outdoor installation
- For connecting with any irrigation controller

### Features & Advantages

- Monitor and irrigate according to soil moisture level.
- Ensures desirable soil moisture level all year around.
- Easy programming - select the soil moisture level from "1" completely dry to "10" soaking wet.
- Can be combined with any irrigation controller, even old models without a sensor port.
- Durable under all weather conditions, Waterproof - IP67.
- Can be used in three configurations:
  1. With an existing irrigation controller that has a sensor input port.
  2. With an existing irrigation controller for sensor control of a single zone (valve).
  3. With an existing irrigation controller that has no sensor input port – for control all zones (valves).

### Specifications

Powered by 24VAC, transformer excluded.
Two wire output with dry contact mechanism.
24VAC output max. current - 1.0A.
Operating temperature: 0° to 50°C (32°-122°F).
Cable between controller & sensor: 5 m (16ft) - included.
Maximum cable extension between FloriCom and sensor: 30m (100 ft).

### Ordering guide

FloriCom	36020-001000
----------	--------------

### Packaging data

FloriCom	1	27.5x22.0x5.5	0.65
	Quantity	Dimensions (cm)	Weight(kg)

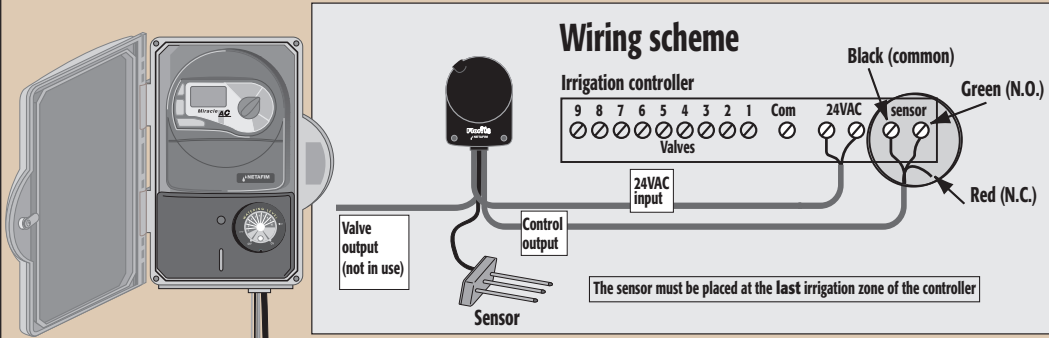


FloriCom

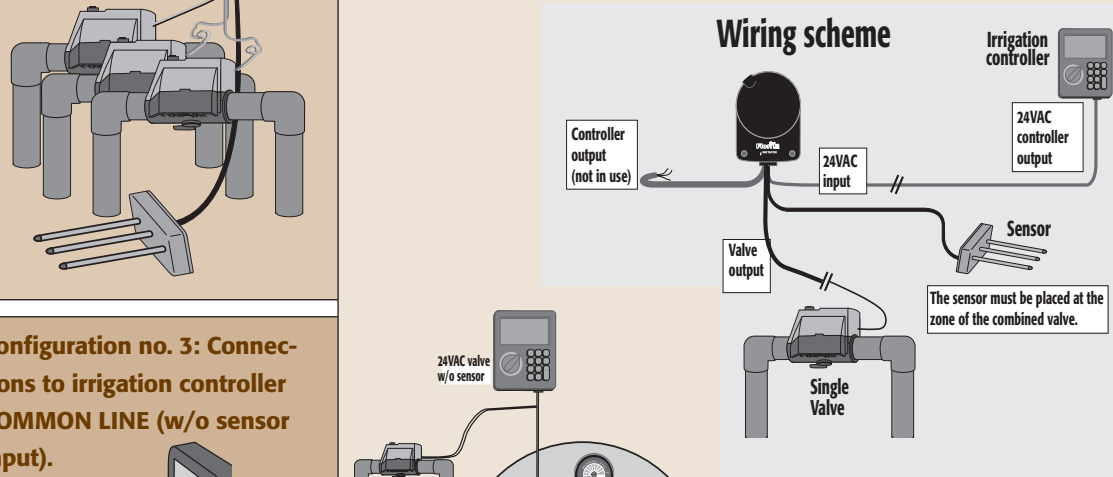
# FLORICOM

Configurations

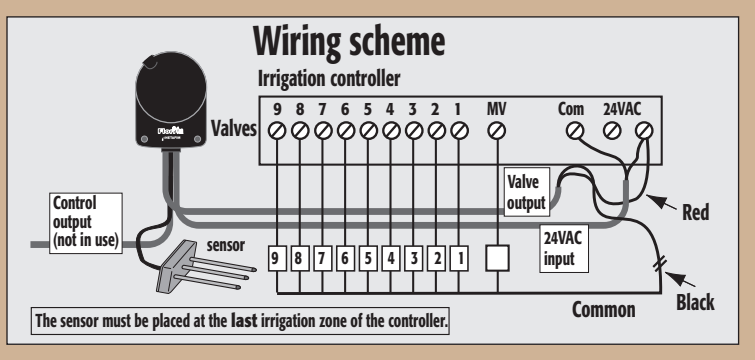
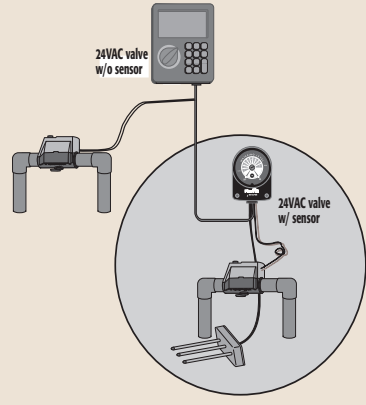
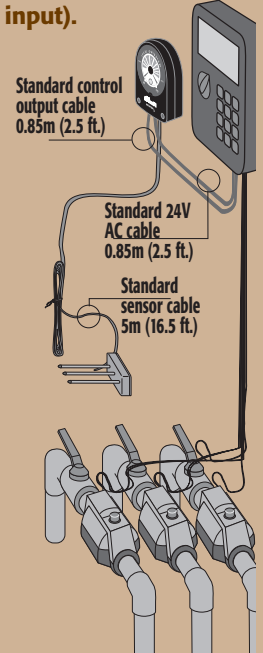
**Configuration no. 1: Connections to irrigation controller w/ sensor input - as in the Miracle AC.**



**Configuration no. 2: Upgrade w/ sensor a specific irrigation zone (single valve) already controlled by an AC irrigation controller.**



**Configuration no. 3: Connections to irrigation controller COMMON LINE (w/o sensor input).**



Distributed by:

970-FLOC0102-EG pts



FLORICOM