

TECHLINE DESIGN DETAILS

TABLE OF CONTENTS - DESIGN DETAIL DRAWINGS (1 of 2)

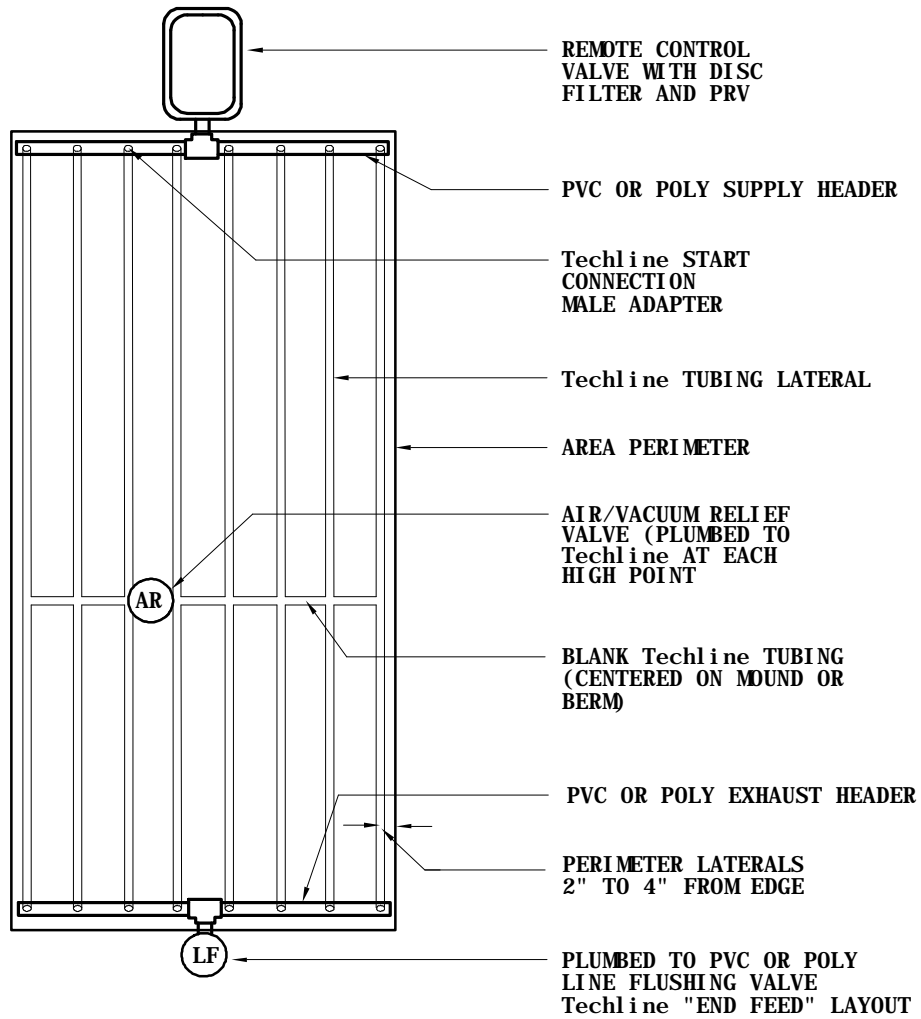
Detail Number:	Page:	Description:
Detail 1.01	70	“End Feed” Layout
Detail 1.02	71	“Center Feed” Layout
Detail 1.03	72	“Parking Lot Island” Layout - Option 1
Detail 1.04	73	“Slope” Layout
Detail 1.05	74	“Slope” Layout - Option 1
Detail 1.06	75	“Slope” Layout - Option 2
Detail 1.07	76	“Irregular Area” - Triangular Shaped Layout
Detail 1.08	77	“Irregular Area” - Odd Curves Layout
Detail 1.09	78	“Techline Perimeter for Sprinklers” Layout
Detail 1.10	79	“Parking Lot Island” Layout - Option 2
Detail 2.01	80	¾” Disc Filter with Shut-off Valve in Valve Box
Detail 2.02	80	Remote Control Valve with ¾” Disc Filter in Valve Box
Detail 2.03	80	1” Disc Filter in Valve Box
Detail 3.01	81	Remote Control Valve with ¾” Disc Filter in Valve Box
Detail 3.02	81	Remote Control Valve with 1½” PRV in Valve Box
Detail 3.03	81	Remote Control Valve with ¾” Disc Filter and PRV in Valve Box
Detail 4.01	82	Start Connection - PVC Pipe with PVC Riser to Techline
Detail 4.02	82	Start Connection - PVC Pipe to Techline Male Adapter to Techline Elbow
Detail 4.03	82	Start Connection - PVC Pipe to Techline Male Adapter to Techline Tee
Detail 4.04	83	Start Connection - Poly Pipe to Techline ¾” FPT Combo Tee (TL075FTEE)
Detail 4.05	83	Start Connection - Poly Pipe to Techline Male Adapter to Techline Tee
Detail 4.06	83	Start Connection - Poly Pipe to Techline Male Adapter to Techline Elbow
Detail 5.01	84	Techline Elbow with Techline Attached
Detail 5.02	84	Techline Tee with Techline Attached
Detail 5.03	84	Techline Cross with Techline Attached
Detail 5.04	85	Start Connection - PVC Pipe & Tee to Techline ¾” Male Adapter (TL075MA)
Detail 5.05	85	Start Connection - Poly Pipe & Insert Tee to Techline ¾” Male Adapter (TL075MA)
Detail 6.01	86	Air/Vacuum Relief Valve - Plumbed to Techline in Valve Box
Detail 6.02	86	Air/Vacuum Relief Valve - Plumbed to PVC Pipe in Valve Box
Detail 6.03	86	Air/Vacuum Relief Valve - Plumbed to Poly Pipe in Valve Box
Detail 7.01	87	Line Flushing Valve - Plumbed to Techline in Valve Box
Detail 7.02	87	Line Flushing Valve - <u>Obsolete</u> - Historical Reference Only
Detail 7.02a	87	Line Flushing Valve - Plumbed to PVC Pipe in Valve Box - Option 1

TECHLINE DESIGN DETAILS

TABLE OF CONTENTS - DESIGN DETAIL DRAWINGS (2 of 2)

Detail Number:	Page:	Description:
Detail 7.02b	87	Line Flushing Valve - Plumbed to PVC Pipe in Valve Box - Option 2
Detail 7.03	88	Line Flushing Valve - Plumbed to Poly Pipe in Valve Box
Detail 7.04	88	Line Flushing Valve with TLSOV in Valve Box
Detail 8.01	89	Techline - Sample Layout
Detail 8.02	89	Techline - Tree Planting
Detail 8.03	90	Techline - Trenching Side View
Detail 8.04	90	Techline Subgrade Installation
Detail 8.05	91	Techline Sub-Header Installation
Detail 9.01	92	MOPC - Non-Stackable - Above Grade with Micro-Tubing (EDTUBE) attached
Detail 9.02	92	MOPC - Stackable - Above Grade with Micro-Tubing (EDTUBE) attached
Detail 9.03	92	MOPC - Stackable - Above Grade with Fixed Spray
Detail 9.04	93	MOPC - Non-Stackable in Valve Box
Detail 9.05	93	MOPC - Stackable in Valve Box
Detail E.01	94	TLELL - Techline Insert Elbow
Detail E.02	94	TLCOUP - Techline Insert Coupler
Detail E.03	94	TL075MA - Techline Insert x ¾" MPT Male Adapter
Detail E.04	94	TL075FTEE - Techline ¾" Female Combo Tee (Ins x Ins x ¾" FPT)
Detail E.05	94	TLTEE - Techline Insert Tee
Detail E.06	94	TLCROS - Techline Insert Cross
Detail E.07	94	TL2W075MA - Techline 2-Way "V" Male Adapter (Ins x Ins x ¾" MPT)
Detail E.08	94	TLDPLUG - Techline Dripper Plug Ring
Detail E.09	94	FIG8 - Techline Figure 8 Line End
Detail E.10	94	TLMTUBEADP - Techline to Micro-Tubing Adapter
Detail E.11	94	Pressure Regulating Valve - ¾" (PRV075xFxx)
Detail E.12	95	Pressure Regulating Valve - 1½" (PRV150xx)
Detail E.13	95	TLS6 - 6" Soil Staple
Detail E.14	95	TLSOV - Shut-off Valve (Ins x Ins)
Detail E.15	95	¾" Disc Filter w/o Shut-off Valve (DF075)
Detail E.16	95	TLAVRV - Air/Vacuum Relief Valve
Detail E.17	95	¾" Disc Filter with Shut-off Valve (DFV075)
Detail E.18	95	TLFV-1 - Line Flushing Valve - 17mm Barbed Insert with Collar
Detail E.19	95	TL050MFV-1 - Line Flushing Valve - ½" MPT
Detail E.20	95	MOPC – Non-Stackable
Detail E.21	95	MOPC – Stackable
Detail E.22	95	MOPC – Exploded View

Detail 1.01

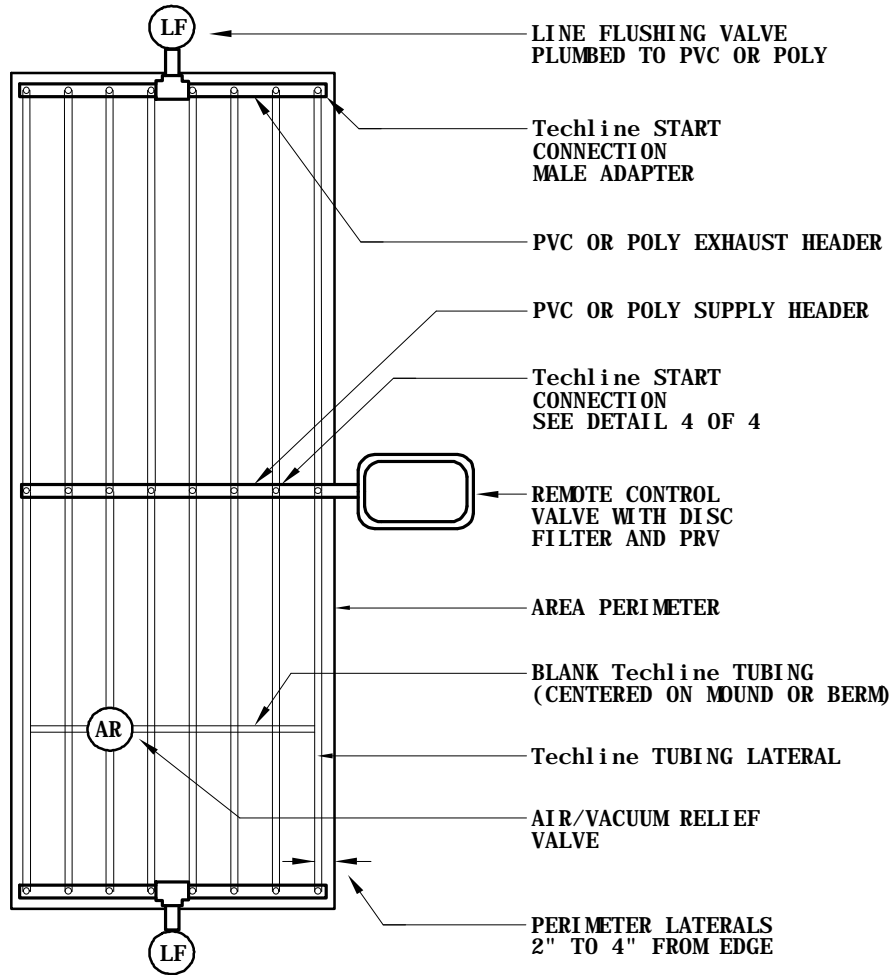


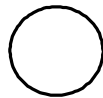
○ Techline END FEED LAYOUT

DETAIL - NO SCALE

Techline "END FEED" Layout

Detail 1.02

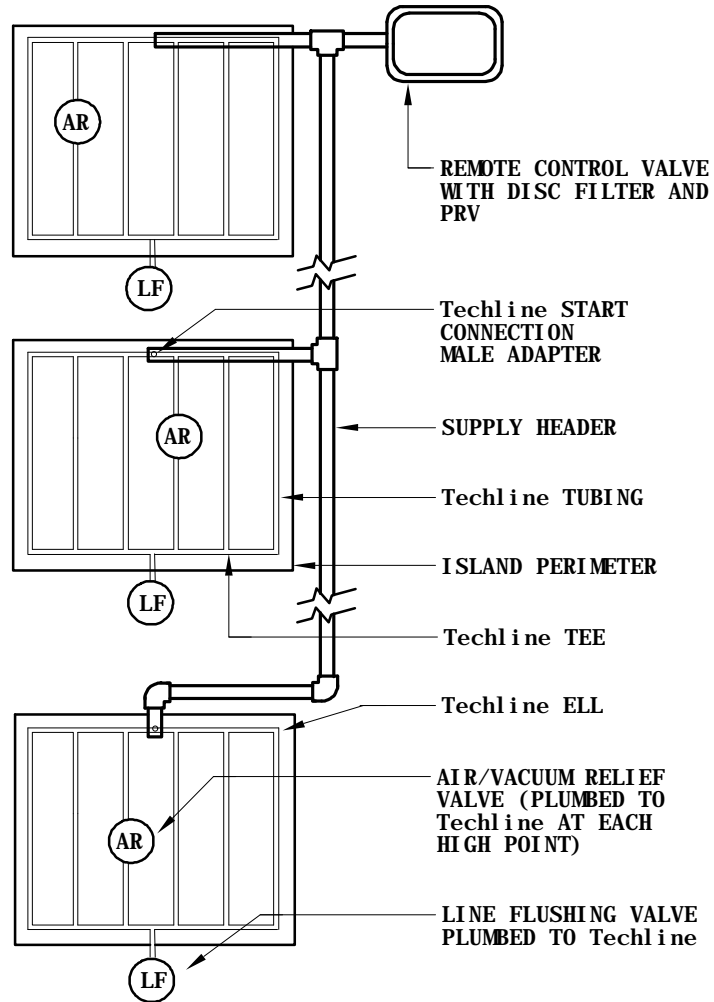



 Techline CENTER FEED LAYOUT

DETAIL - NO SCALE

Techline "CENTER FEED" Layout

Detail 1.03

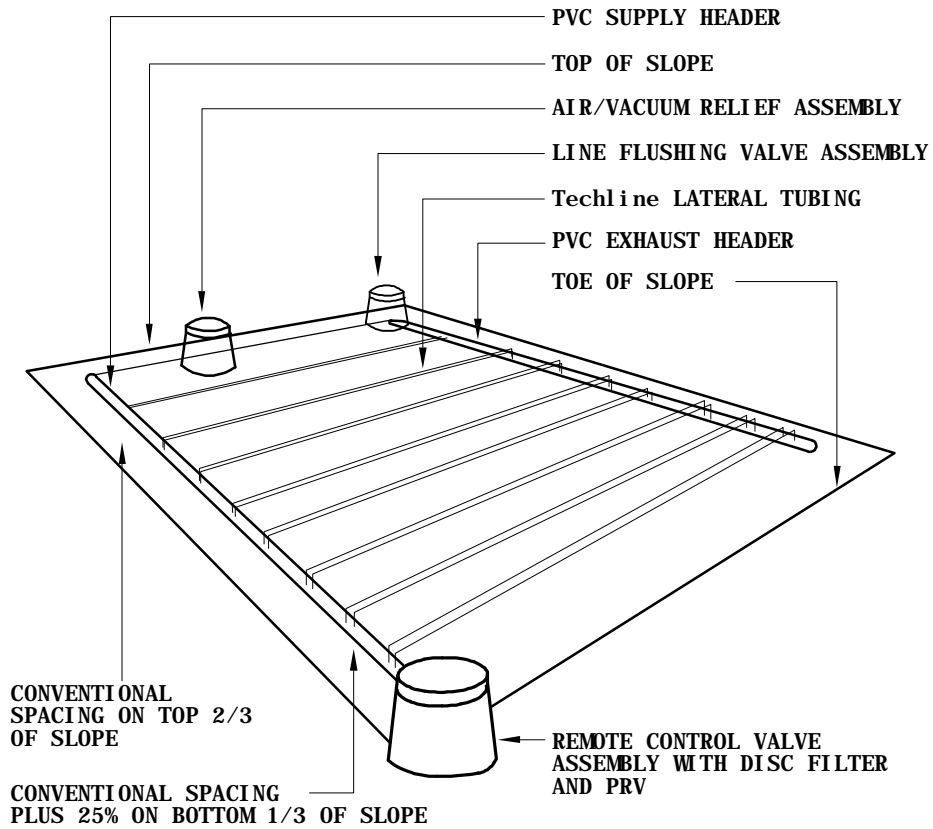


○ Techline ISLAND LAYOUT

DETAIL - NO SCALE

**“PARKING LOT ISLAND” Layout
Option 1**

Detail 1.04



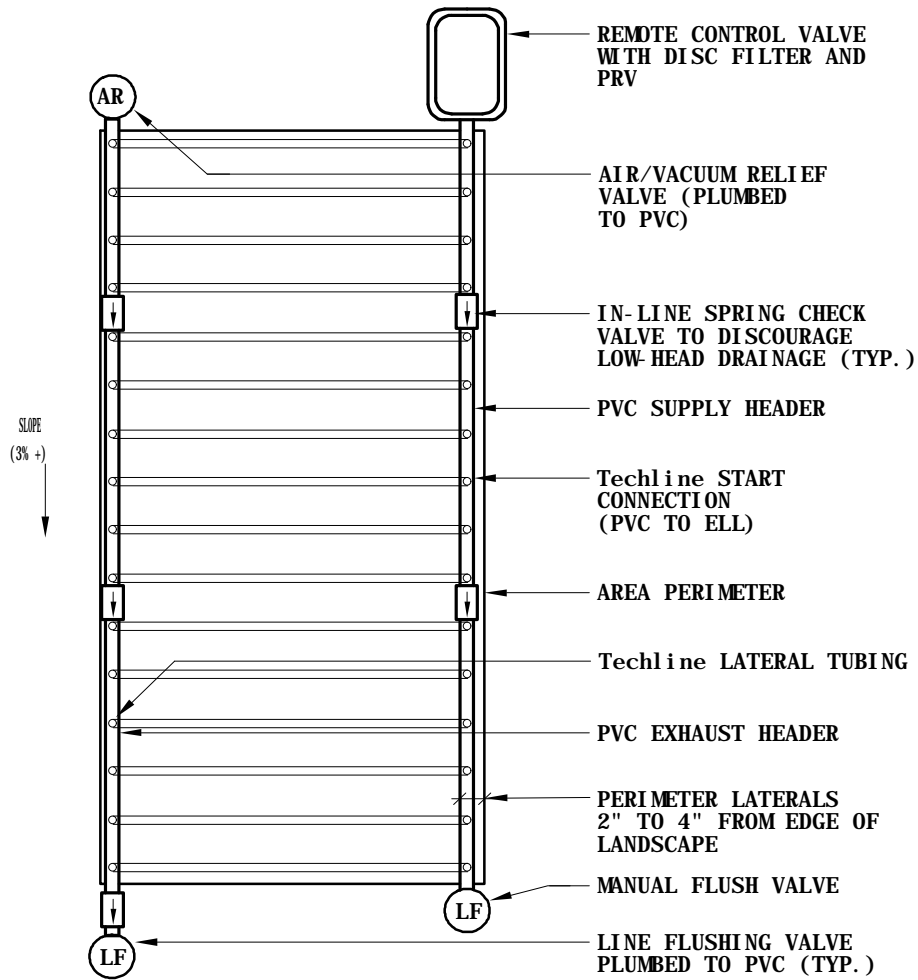
NOTE:
 ALIGN Techline LATERALS PARRALLEL TO THE CONTOURS OF THE SLOPE

○ Techline SLOPE FEED LAYOUT

DETAIL - NO SCALE

Techline "SLOPE LAYOUT" - Option 1

Detail 1.05

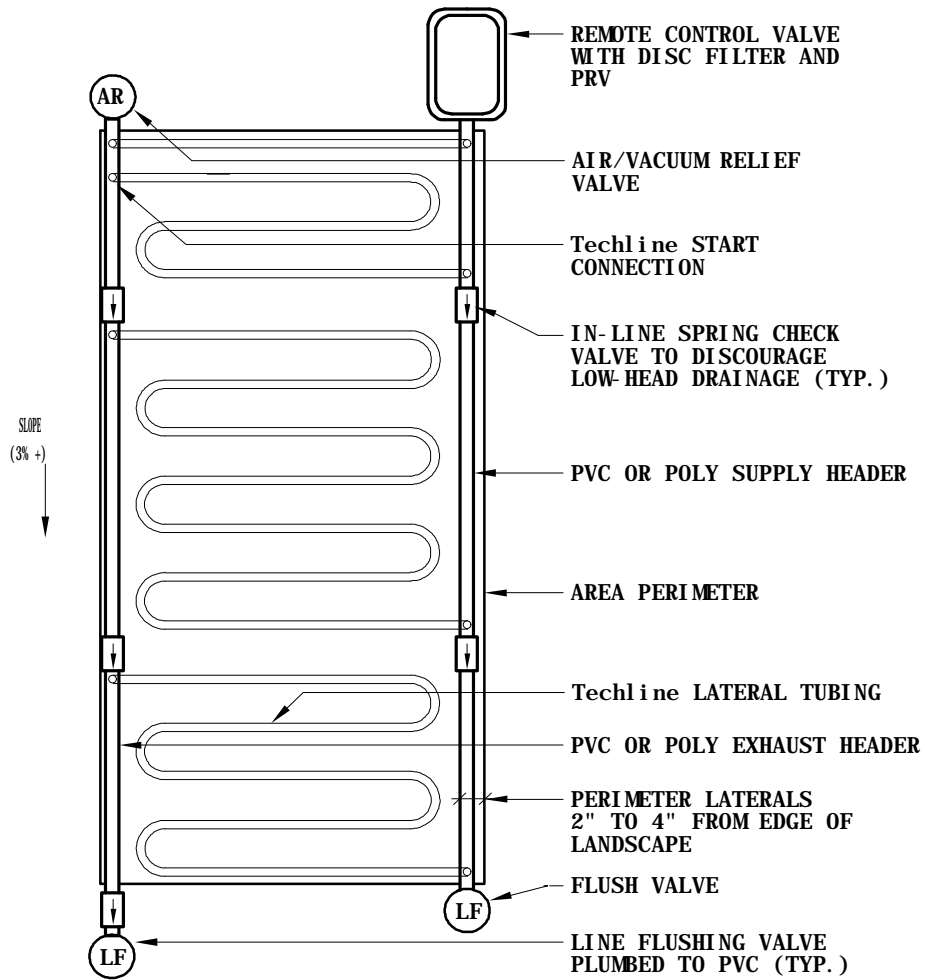


○ Techline MEDIAN ISLAND, DOWN SLOPE
 ○ OPTION ONE

DETAIL - NO SCALE

Techline "SLOPE LAYOUT" - Option 1

Detail 1.06

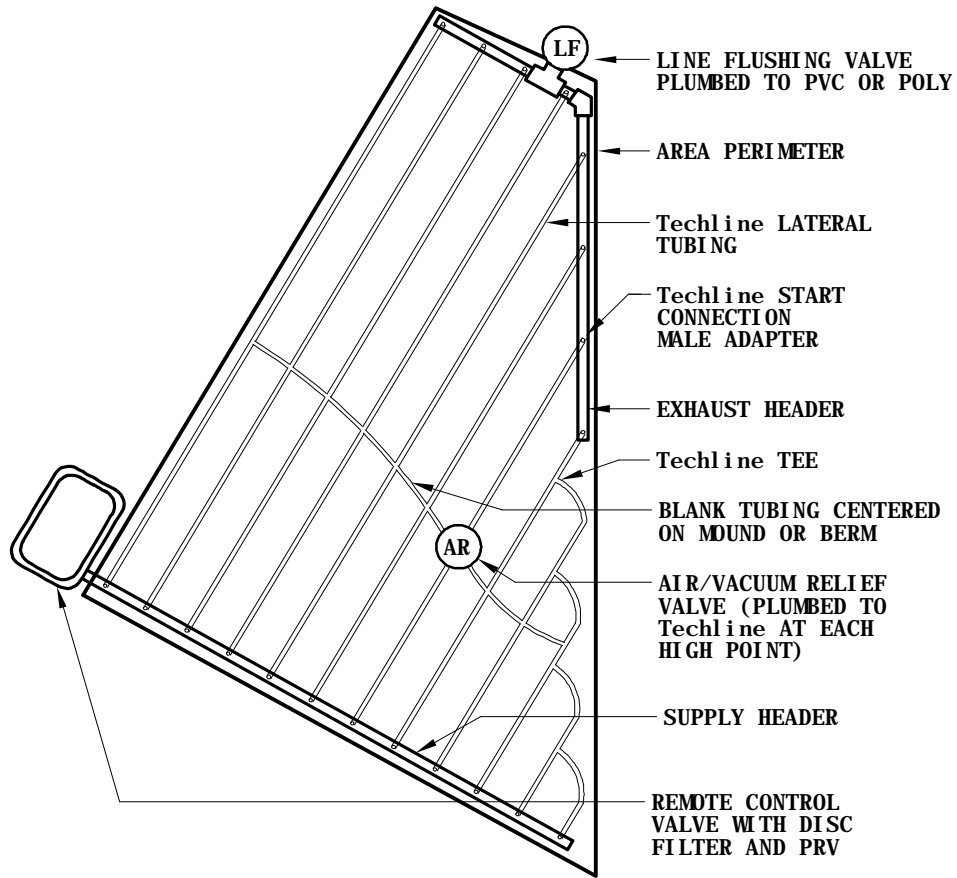


○ Techline MEDIAN ISLAND, DOWN SLOPE
 ○ OPTION TWO

DETAIL - NO SCALE

Techline "SLOPE LAYOUT" - Option 2

Detail 1.07

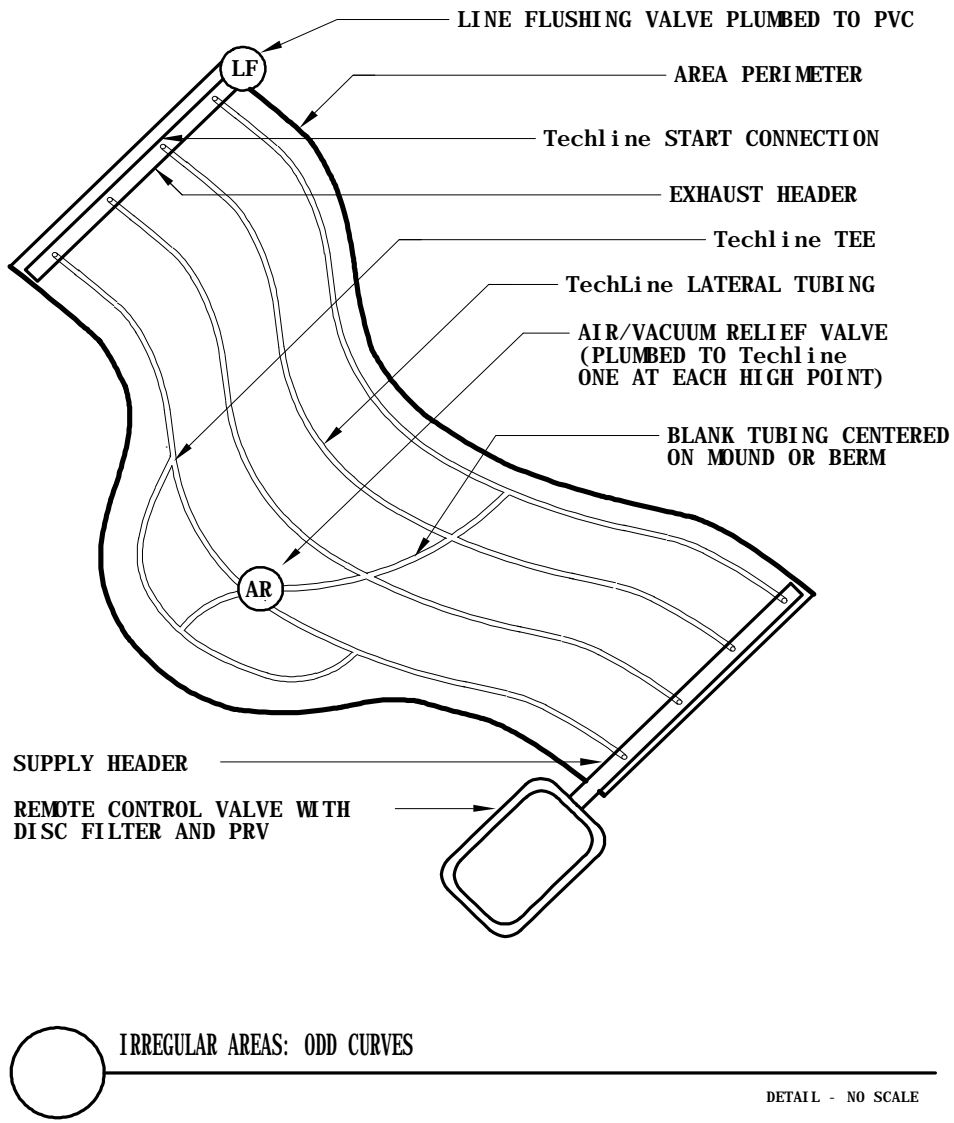


○ IRREGULAR AREAS: TRIANGULAR

DETAIL - NO SCALE

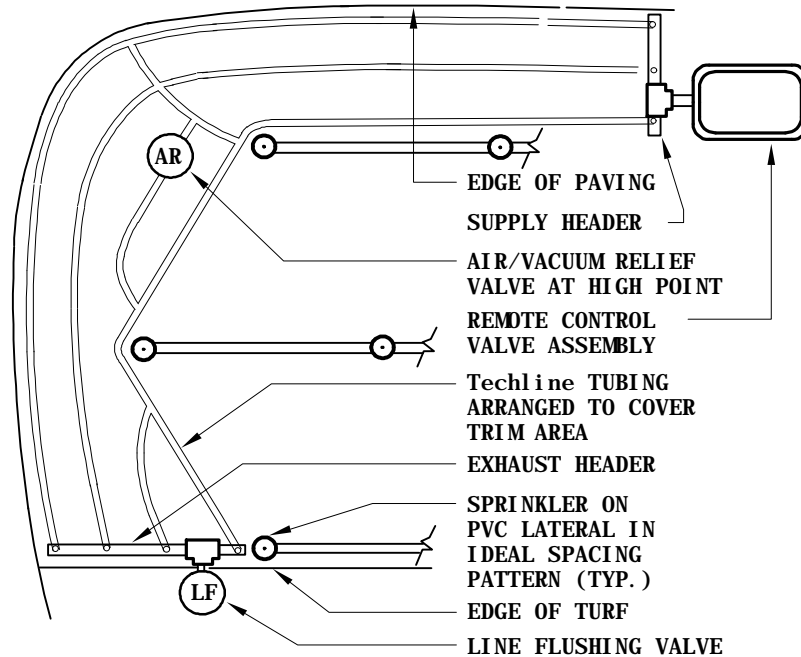
“IRREGULAR AREA” - Triangular Area

Detail 1.08



“IRREGULAR AREA” - Odd Curves

Detail 1.09



NOTES TO DESIGNER

- 1- IN THIS EXAMPLE, IDEAL SPACING IS MAINTAINED FOR THE SPRINKLER SYSTEM W/ OUT DISTORTION, WHILE THE HEADS ARE SET AWAY FROM THE PAVING EDGE TO AVOID OVERSPRAY
- 2- BLANK Techline TUBING IS USED TO JOIN THE LATERALS ACROSS THE HIGH SPOT TO ENHANCE THE FUNCTION OF THE AIR/VACUUM RELIEF VALVE.

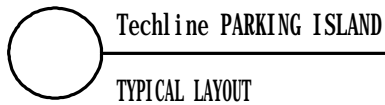
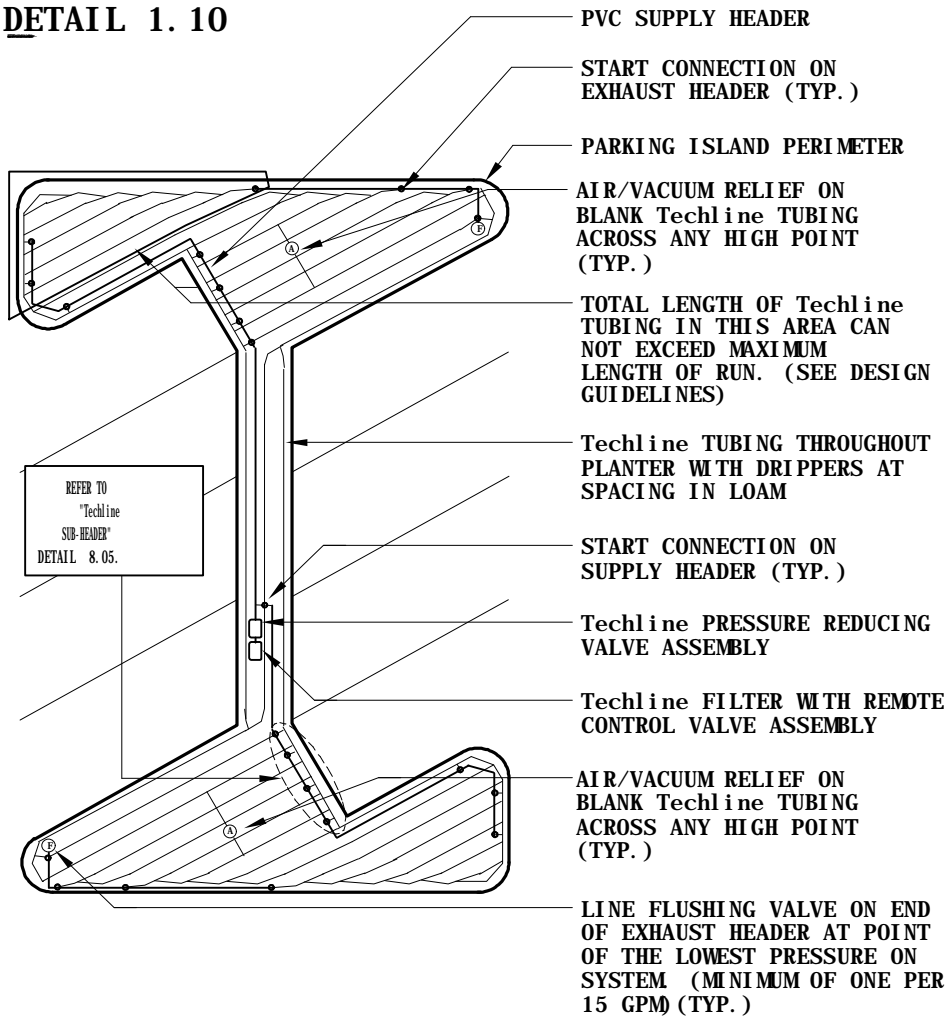
PLAN - NO SCALE



DETAIL - NO SCALE

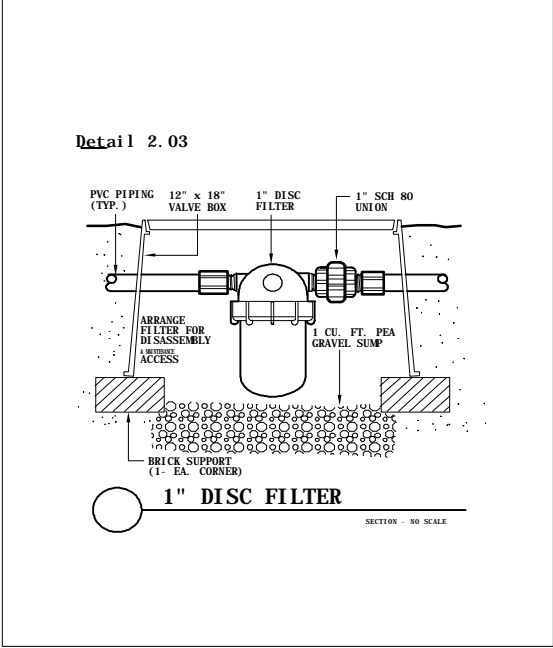
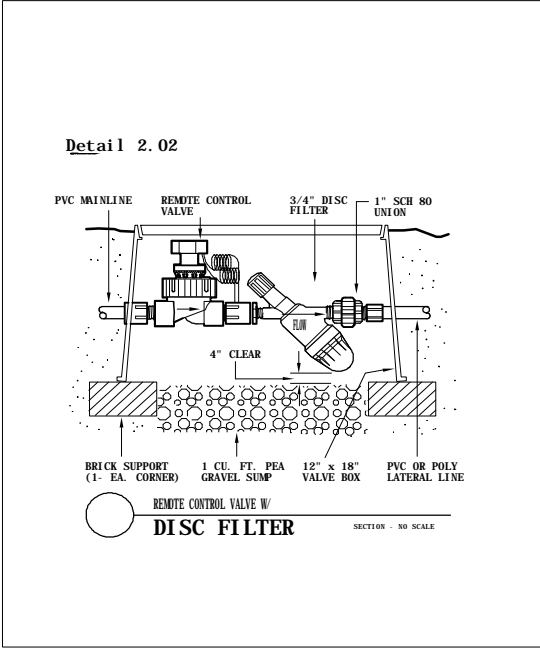
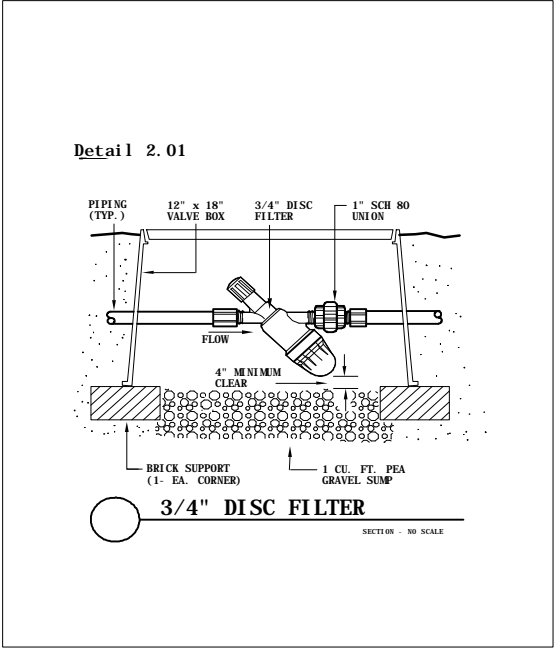
“Techline Perimeter for Sprinklers” Layout

DETAIL 1. 10



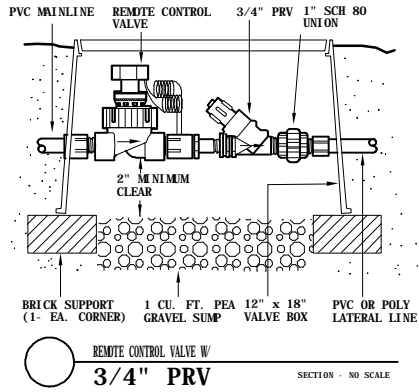
DETAIL - NO SCALE

**"PARKING LOT ISLAND" Layout
Option 2**

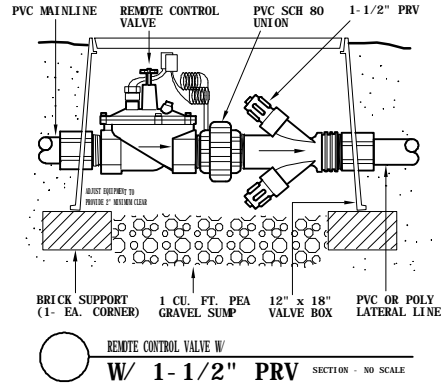


Filter Connections in Valve Box

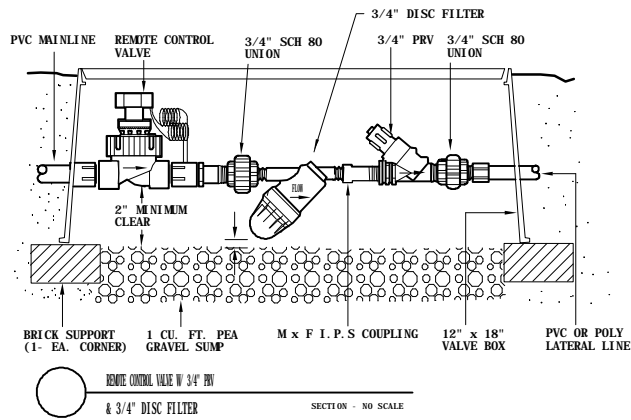
Detail 3.01



Detail 3.02

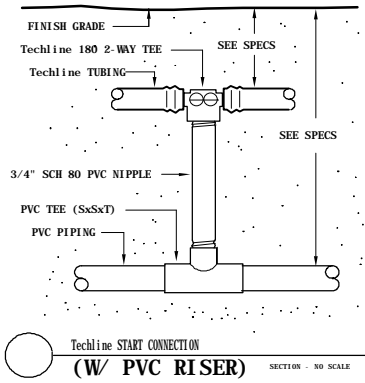


Detail 3.03

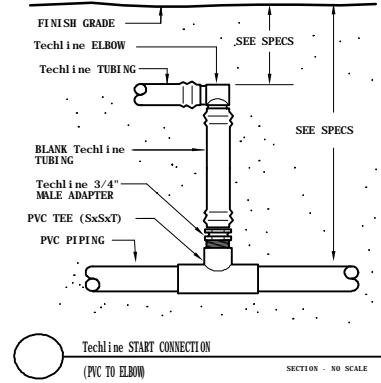


Remote Control Valve Connections

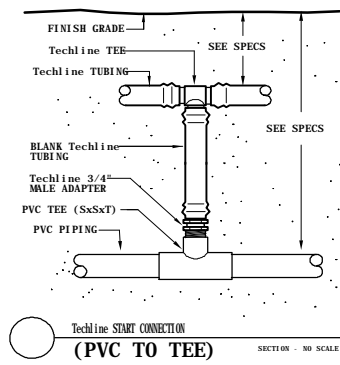
Details 4.01



Details 4.02

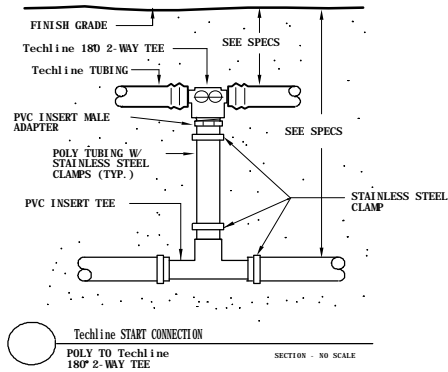


Details 4.03

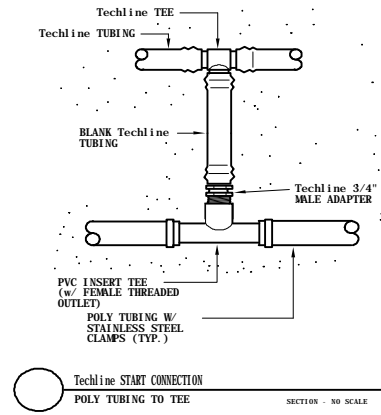


Techline Start Connections

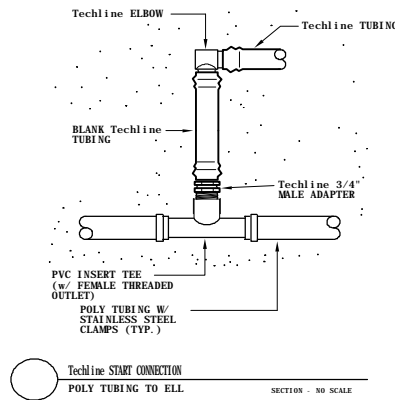
Details 4.04



Details 4.05

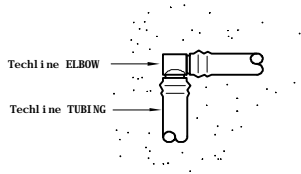


Details 4.06



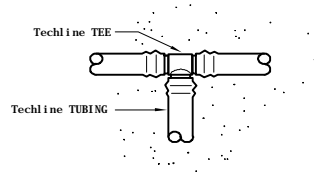
Techline Start Connections

Details 5.01



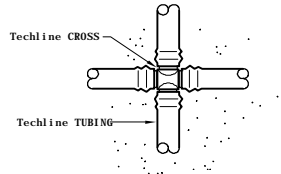
Techline ELBOW
SECTION - NO SCALE

Details 5.02



Techline TEE
SECTION - NO SCALE

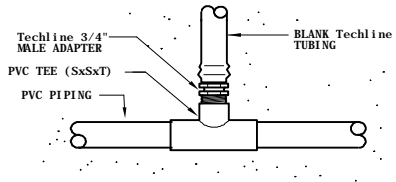
Details 5.03



Techline CROSS
SECTION - NO SCALE

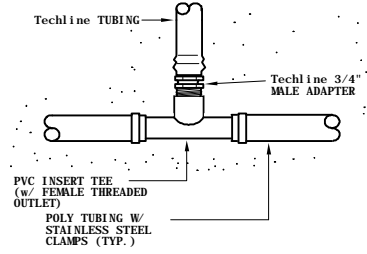
Techline Fitting Connections

Details 5.04



Techline START CONNECTION
(PVC TO TEE)
SECTION - NO SCALE

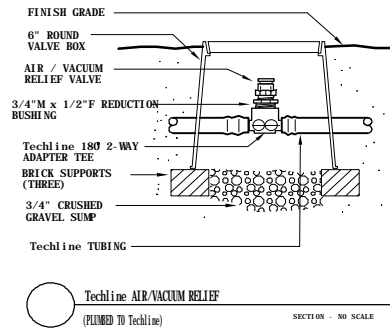
Details 5.05



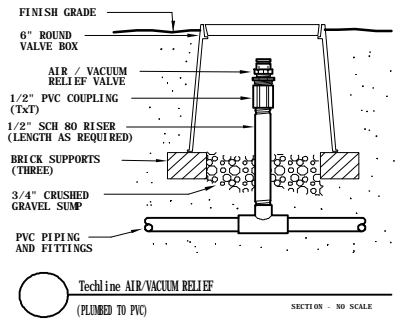
Techline START CONNECTION
POLY TUBING TO TEE
SECTION - NO SCALE

Techline Start Connections

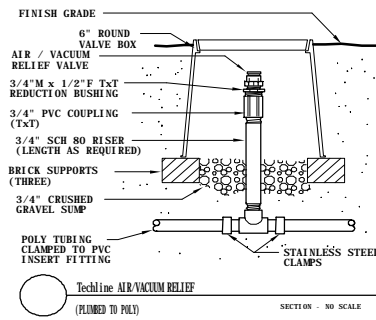
Detail 6.01



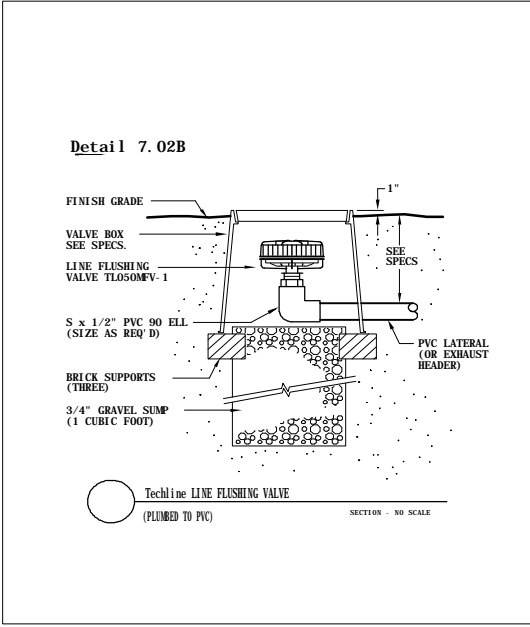
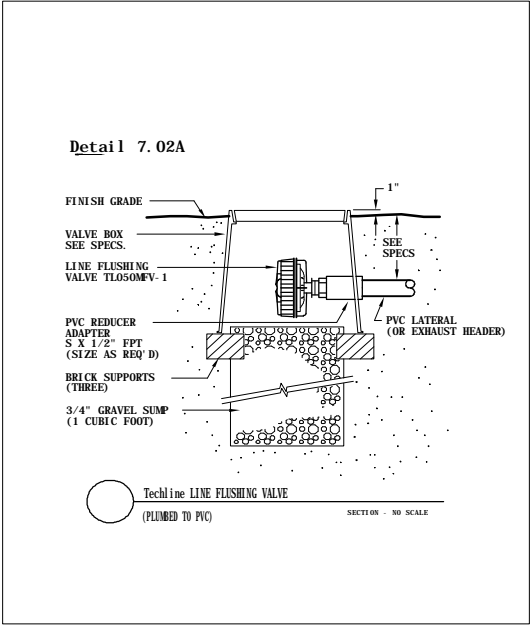
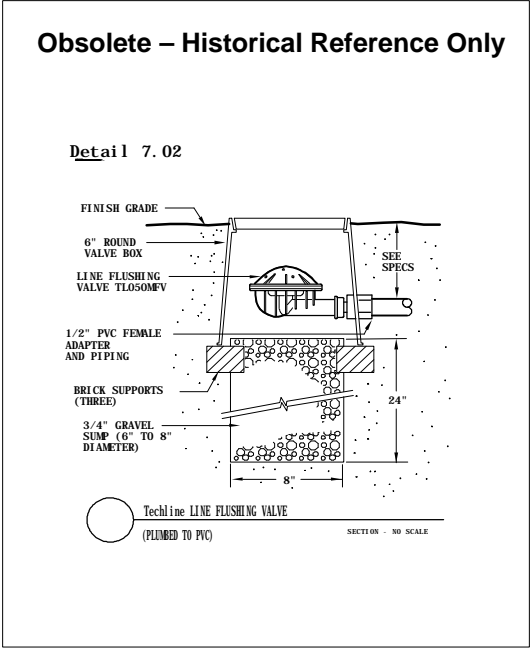
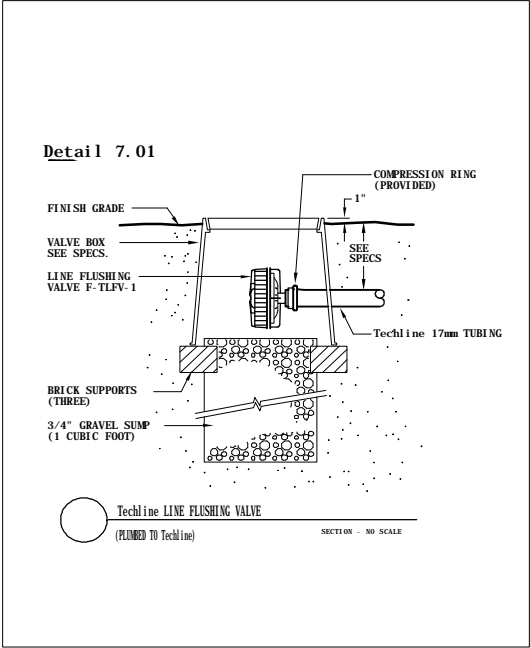
Detail 6.02



Detail 6.03

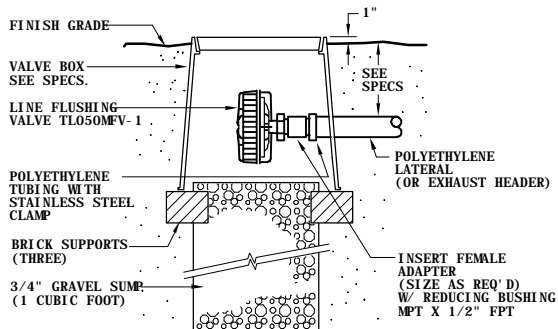


A/VRV In Valve Box



Line Flushing Valve in Valve Box

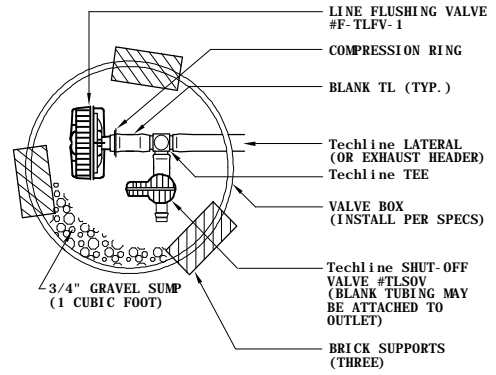
Detail 7.03



○ Techline LINE FLUSHING VALVE
(PLUMBED TO POLY)

SECTION - NO SCALE

Detail 7.04

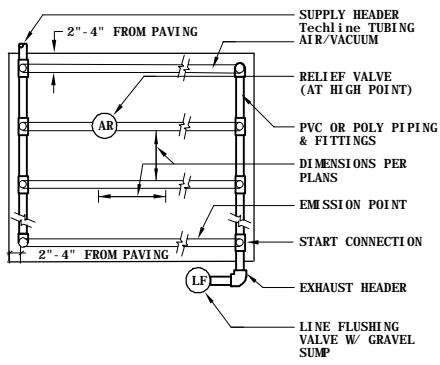


○ Techline LINE FLUSHING VALVE
W/ SHUT-OFF VALVE

SECTION - NO SCALE

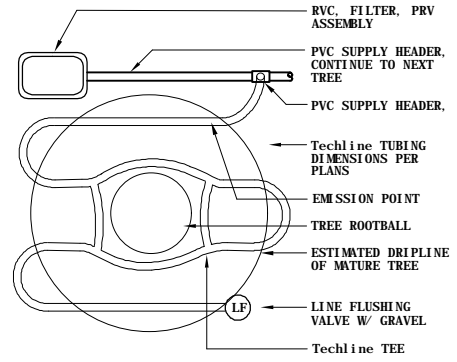
Line Flushing Valve in Valve Box

Detail 8.01



○ Techline TUBING & ACCESSORIES
SAMPLE LAYOUT SECTION - NO SCALE

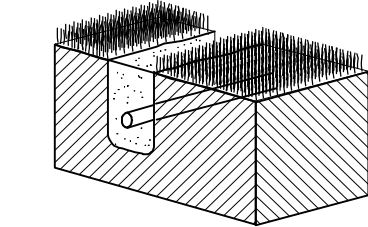
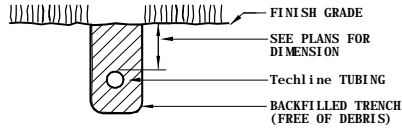
Detail 8.02



○ Techline TUBING & ACCESSORIES
FOR TREE PLANTING SECTION - NO SCALE

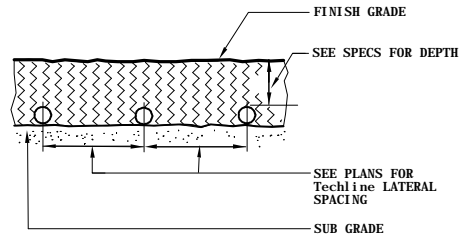
Techline Sample Layout & Tree Planting

Detail 8.03



Techline TRENCHING
NO SCALE

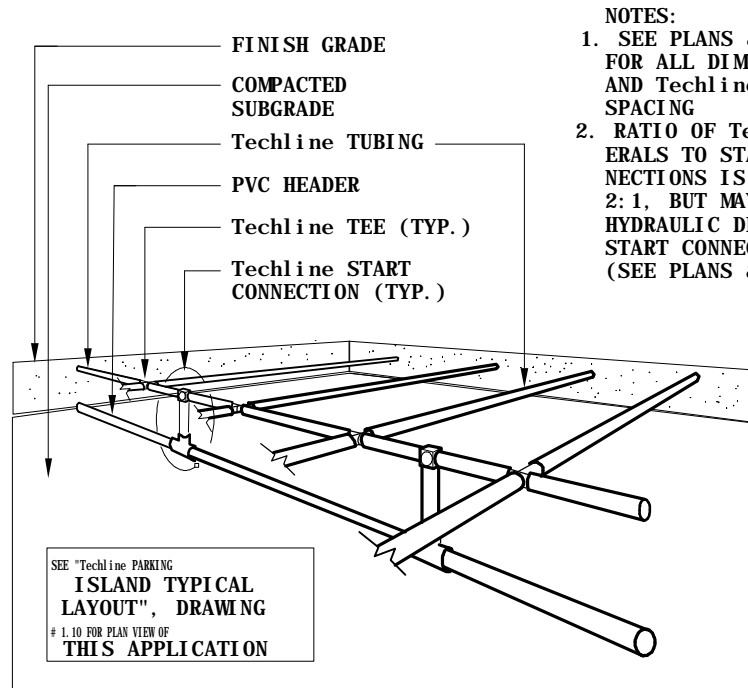
Detail 8.04



**Techline SUBGRADE
INSTALLATION**
NO SCALE

Techline Trenching Sideview & Subgrade

Detail 8.05



- NOTES:**
1. SEE PLANS & LEGEND FOR ALL DIMENSIONS AND Techline LATERAL SPACING
 2. RATIO OF Techline LAT- ERALS TO START CON- NECTIONS IS SHOWN AT 2:1, BUT MAY VARY PER HYDRAULIC DEMAND ON START CONNECTION. (SEE PLANS & LEGEND)

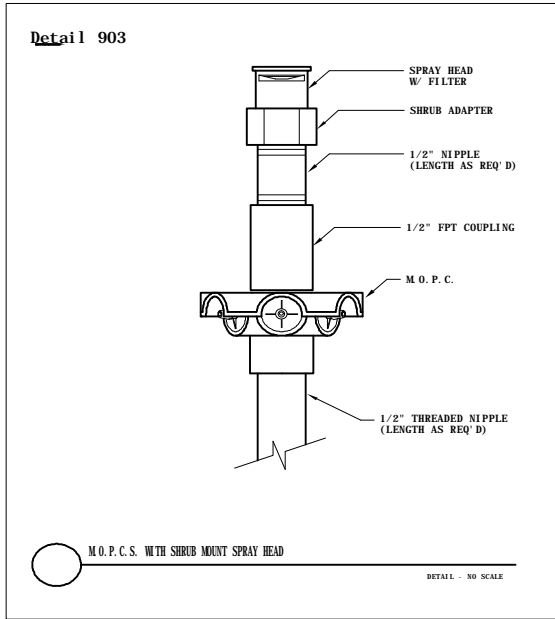
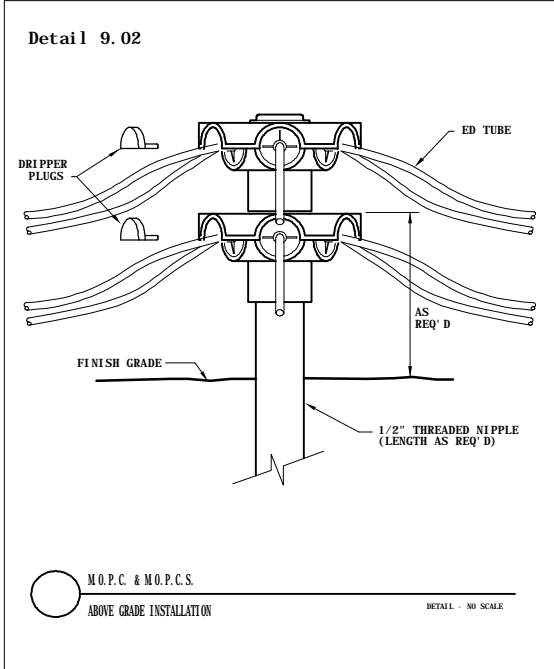
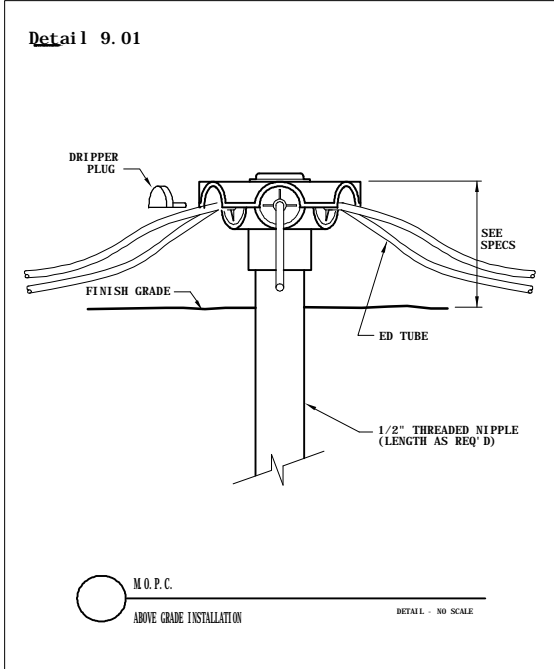
SEE "Techline PARKING ISLAND TYPICAL LAYOUT", DRAWING # 1.10 FOR PLAN VIEW OF THIS APPLICATION



Techline SUB-HEADER INSTALLATION

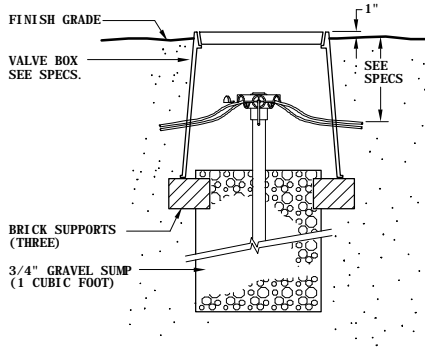
NO SCALE

Techline Sub-Header Installation



MOPC Above Grade

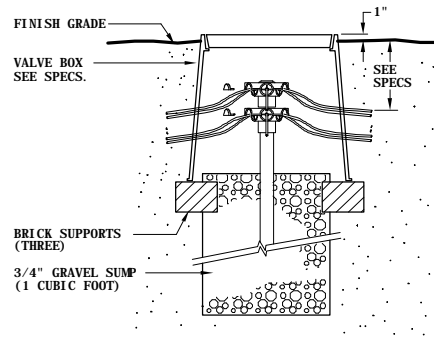
Detail 9.04



M.O.P.C.
BELOW GRADE INSTALLATION

SECTION - NO SCALE

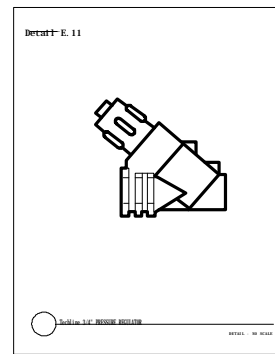
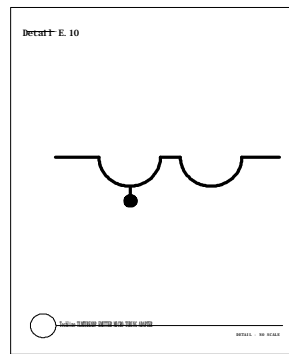
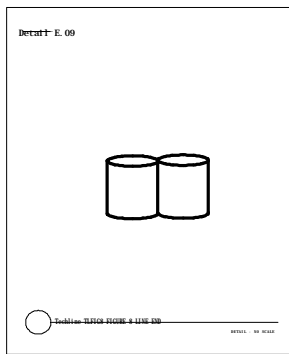
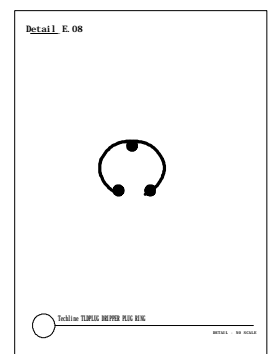
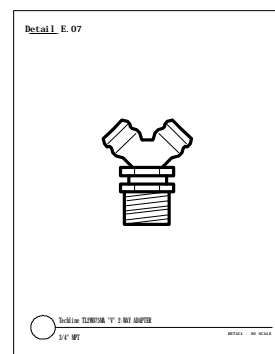
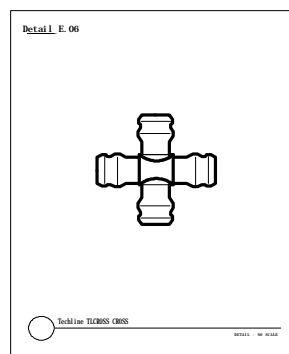
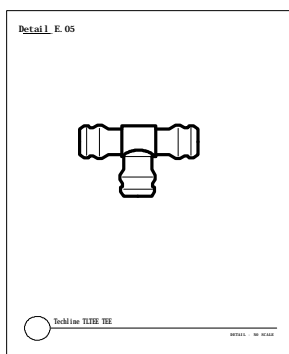
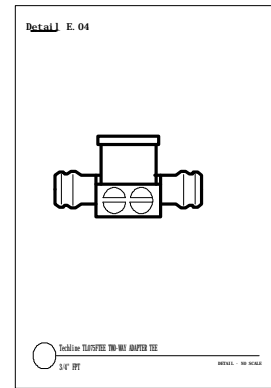
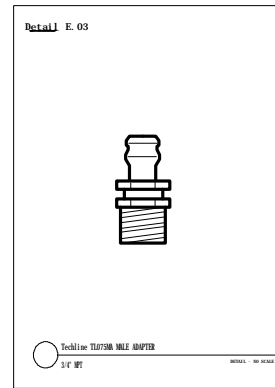
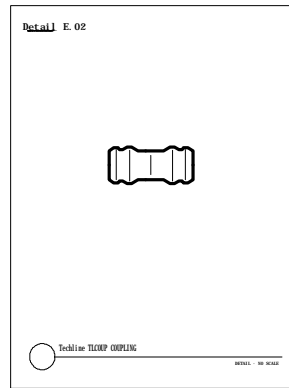
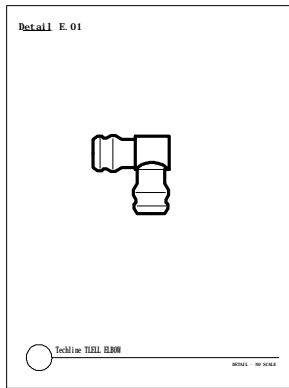
Detail 9.05



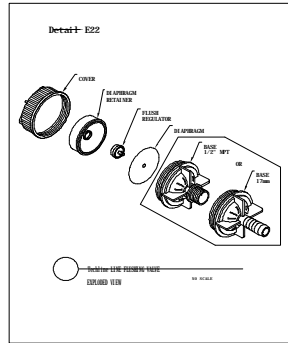
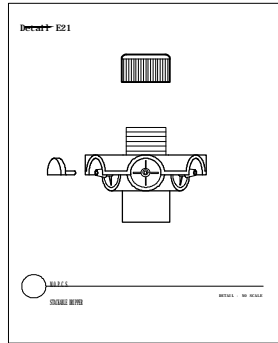
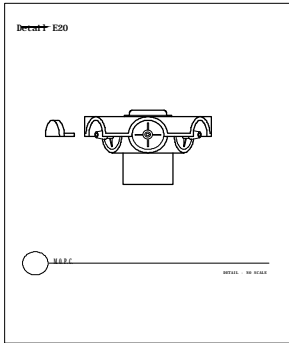
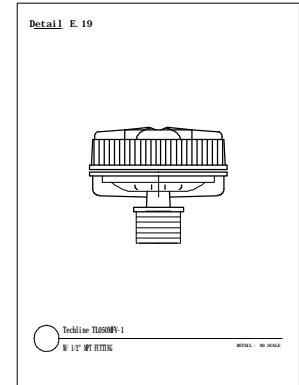
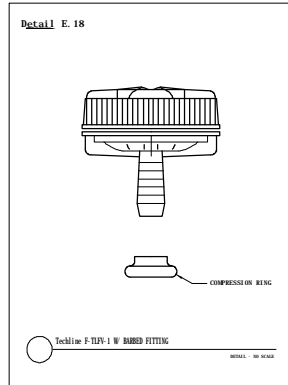
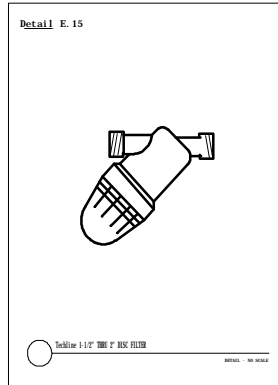
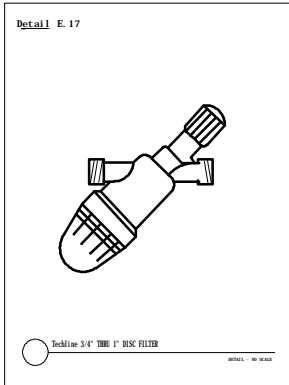
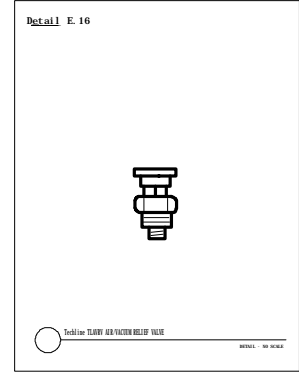
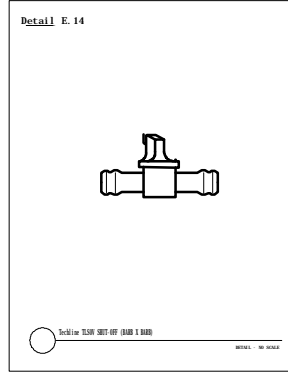
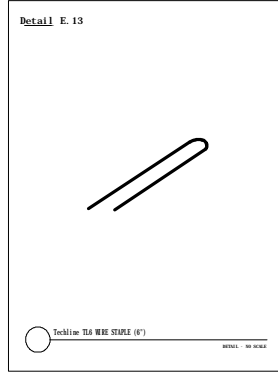
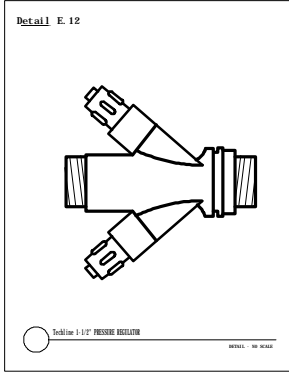
M.O.P.C. & M.O.P.C.S.
BELOW GRADE INSTALLATION

SECTION - NO SCALE

MOPC in Valve Box



Fittings, Components, PRV



Fittings, PRV, Line Flushing Valve, Filter, AVR, MOPC