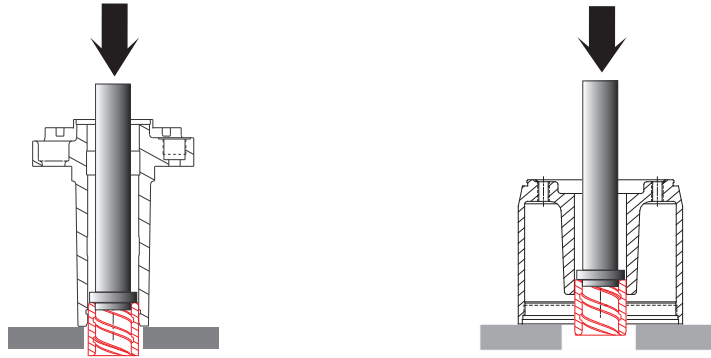
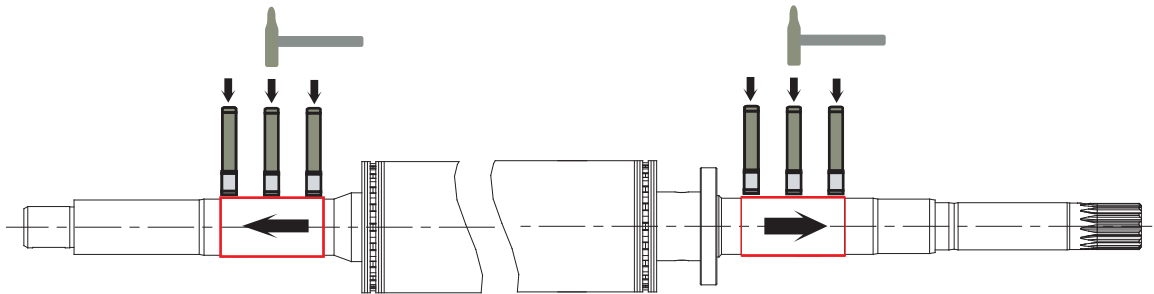




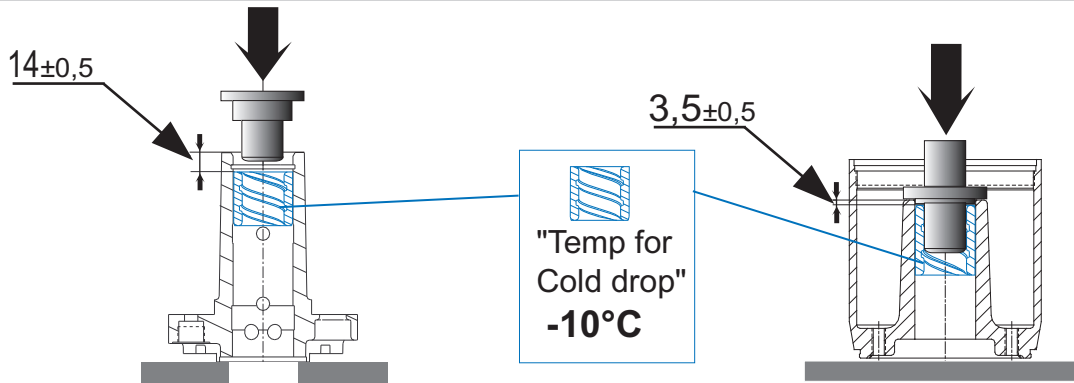
## Disassembly / Démontage / Rimozione / Desmontaje Upper and Lower Endbells 4,0 - 26,0 kW



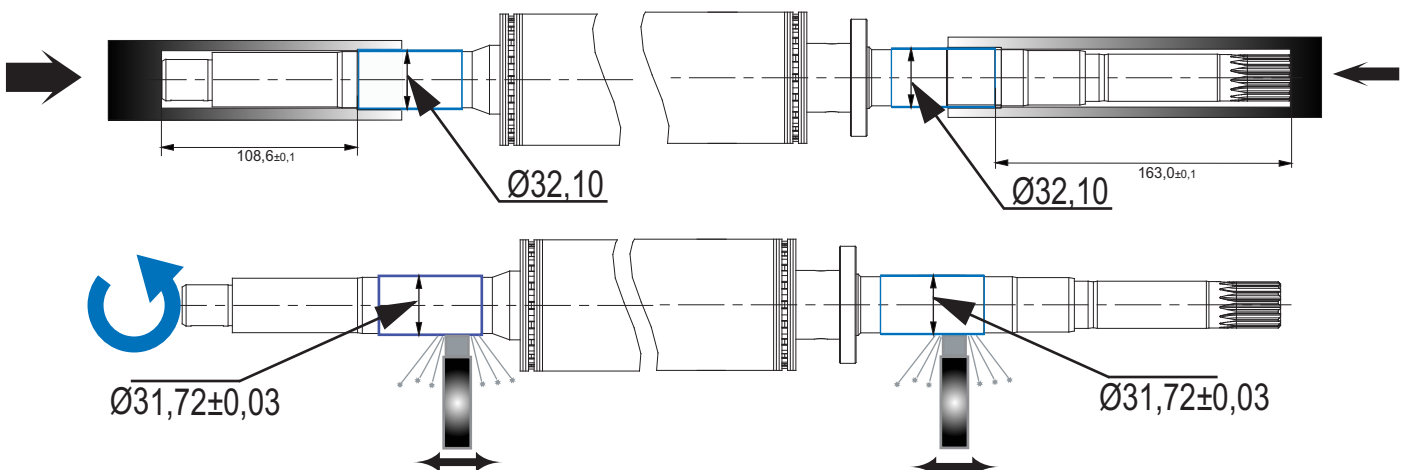
## Disassembly / Démontage / Rimozione / Desmontaje Rotor sleeves 4,0 - 18,5 kW



## Assembly / Assemblage / Montaggio / Montaje Upper and Lower Endbells 4,0 - 26,0 kW

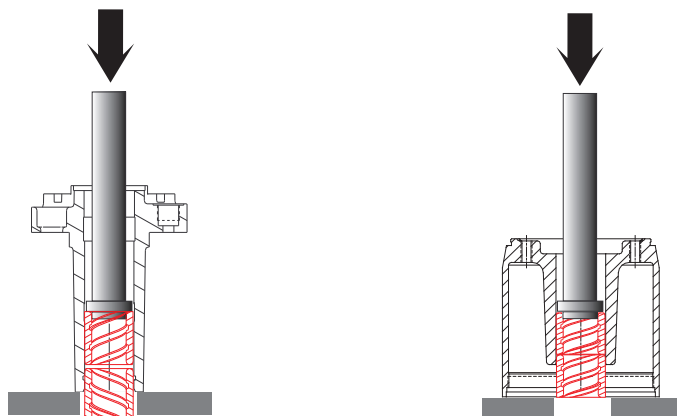


## Assembly / Assemblage / Montaggio / Montaje Rotor sleeves 4,0 - 18,5 kW

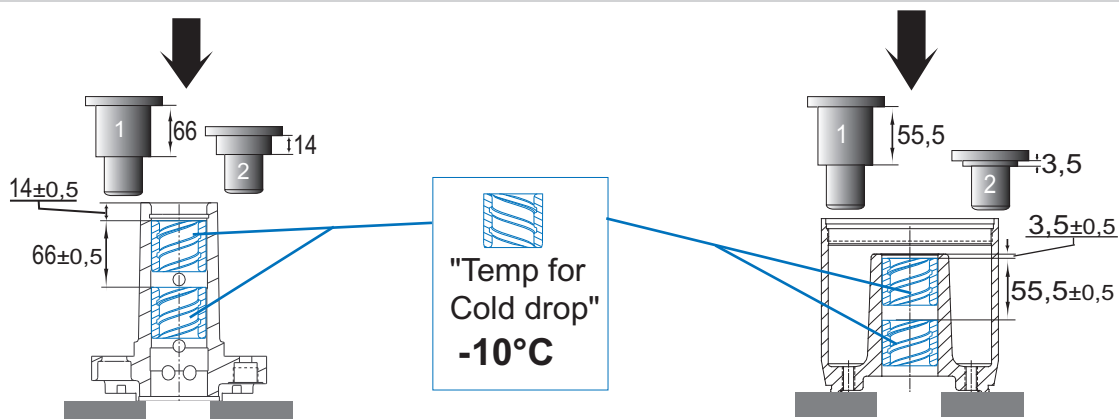




## Disassembly / Démontage / Rimozione / Desmontaje Upper and Lower Endbells 30,0 - 37,0 kW



## Assembly / Assemblage / Montaggio / Montaje Upper and Lower Endbells 30,0 - 37,0 kW



## Rebuilding / Transformation / Ricostruzione / Reconstrucción Rotor with sleeves 22,0 - 37,0 kW

