

Contents

FLUSH CAP, DRAW PLUNGER & PACKING TUBE SPARE PARTS LIST	2
• RAINDROP FLUSH CAP PUMPS PARTS PRICE LIST	2
• RAINDROP DRAW PLUNGER PARTS PRICE LIST	2
• RAINDROP PACKING TUBE PARTS PRICE LIST.....	3
PUMP ROD COUPLINGS, MILL RODS	4
• BRASS HEX PUMP ROD COUPLINGS	4
• GUNMETAL BRONZE PUMP ROD COUPLINGS	4
• GALVANISED STEEL PUMP ROD COUPLINGS	4
• STAINLESS STEEL 316 PUMP ROD COUPLINGS	4
• SOLID STEEL PUMP ROD COUPLINGS	5
• GALVANISED HIGH TENSILE STEEL WINDMILL PUMP RODS	5
• STAINLESS STEEL WINDMILL PUMP RODS	5
• WOODEN WINDMILL PUMP RODS	5
• NYLON MILL ROD CENTRALIZERS	5
• MANGANESE/BRONZE PUMP ROD FORK CONNECTORS.....	6
• GALVANISED STEEL WINDMILL PUMP ROD FORK CONNECTORS.....	6
• GALVANISED STEEL WINDMILL PUMP COLUMN PIPE CLAMPS.....	6
• COMBINED BORE CASING/PIPE CLAMPS – CAST IRON.....	7
• STEEL WELD-ON PUMP ROD JOINTS	7
• GALVANISED FISH PLATES	7
• GALVANISED STEEL BORE CAPS.....	8
• 3/8” ZP HOOK BOLTS c/w NUTS & WASHERS	8
• 1/2” GALVANISED U-BOLTS c/w NUTS & WASHERS	8
• PROPOL PUMP ROD c/w Fitted Brass Hex M&F Couplings.....	9
• BRASS HEX COUPLING ENDS ONLY SUIT PROPOL RODS.....	9
• PUMP COLUMN RUBBER STABILIZERS	10

FLUSH CAP, DRAW PLUNGER & PACKING TUBE SPARE PARTS LIST

● RAINDROP FLUSH CAP PUMPS PARTS PRICE LIST

P/No.	Part Description	PUMP SIZES						
		2"	2¼"	2½"	2¾"	3"	3½"	4"
9	Top cap c/w 'O'-ring (1¼" or 1½" BSPF)	18.20	20.10	21.90	40.30	24.80	48.50	79.40
10	Bottom Valve Cage	13.40	13.90	15.80	38.30	17.50	33.30	58.50
11	Mushroom Valve c/w PU40 washer **	8.80	10.50	12.30	15.80	14.00	26.30	34.20
12	Bottom Valve seat & Bush c/w 'O'-ring	21.90	22.70	27.70	53.50	31.30	61.50	87.80
13	Plunger Cage	21.90	22.40	27.70	57.80	29.60	43.00	71.10
14	Bucket Spacer	13.60	17.10	18.40	25.40	20.30	31.80	48.10
15	Bucket Holder	23.00	24.80	26.50	43.60	28.30	51.90	68.30
16	Rod – (8" Stroke) Measures 12" long	24.70	26.50	26.50	26.50	26.50	49.10	55.80
17	Rod – (12" Stroke) Measures 17" long (19" on the 3½" and 20½" on 4" pumps)	26.30	28.00	28.00	28.00	28.00	52.50	63.80
18	Barrel – Long 20" (12" Stroke) c/w 2 x O-ring	115.60	127.30	138.90	175.30	179.30	251.90	314.30
19	Barrel – Short 15" (8" Stroke) c/w 2 x O-ring	93.60	102.70	109.00	137.70	140.30	-	-
20	PU40 Washer to suit P/N11 (Pkt.of 2)- Each:	3.80	4.30	4.80	5.00	5.60	6.40	7.60
22	8" Plunger assembly complete*	107.40	119.70	126.20	174.20	174.20	281.40	313.50
23	12" Plunger assembly complete*	109.00	121.20	127.90	175.70	175.70	284.80	321.50
24	PU40 Sheet (1 sq. foot x ⅛" thick)	36.00						
25	O-ring to suit Cap	0.90	1.00	1.10	1.20	1.20	1.30	1.40

* Plunger assembly consists of P/Nos. 11, 13, 14, 15, 16 or 17 without fitted buckets. Please specify pump size when ordering – exploded view of parts on next page

** When ordering 2¾" P/No. 11 Mushroom Valve for FC Pump, please specify whether for plunger cage or bottom cage.

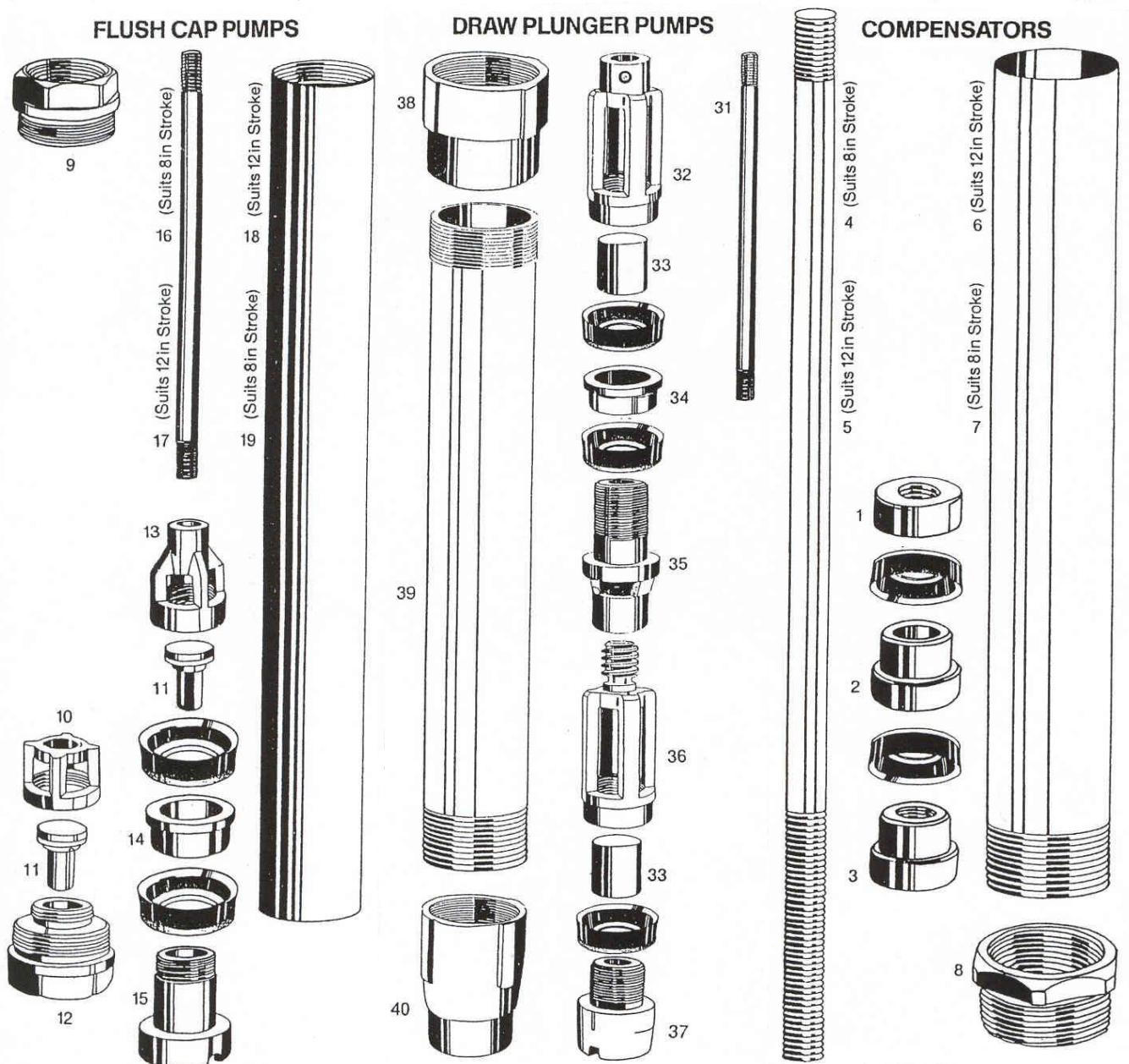
● RAINDROP DRAW PLUNGER PARTS PRICE LIST

P/No.	Part Description	\$ PRICE	\$ PRICE	\$ PRICE	\$ PRICE
		EXCL.GST	INCL. GST	EXCL.GST	INCL. GST
		2¾"		3¼"	
31	Plunger Rod	160.00	176.00	189.00	207.90
32	Plunger Cage	159.00	174.90	154.00	169.40
33	Valve Block	68.90	75.79	80.50	88.55
34	Spacer	83.40	91.74	85.20	93.72
35	Plunger Body	221.00	243.10	241.50	265.65
36	Bottom cage	186.70	205.37	231.00	254.10
37	Bottom Valve	184.00	202.40	228.60	251.46
38	Top Cap	232.00	255.20	303.30	333.63
39	Barrel	506.00	556.60	569.20	626.12
40	Bottom Cap	185.00	203.50	241.50	265.65
41	Stainless St. Pin (Rod to Plunger Cage)	14.60	16.06	12.80	14.08
42	Plunger Assembly Complete	1180.00	1298.00	1356.00	1491.60
43	Barrel Complete with Caps	922.00	1014.20	1114.00	1225.40

● **RAINDROP PACKING TUBE PARTS PRICE LIST**

P/No.	Part Description	\$ PRICE EXCL.GST	\$ PRICE INCL. GST	\$ PRICE EXCL.GST	\$ PRICE INCL. GST
		1 3/8"		1 7/8"	
1	Bucket Bush	6.30	6.93	22.70	24.97
2	Bucket Spacer	7.40	8.14	23.50	25.85
3	Bucket Holder	8.00	8.80	23.80	26.18
4	Rod – Short 16"	28.50	31.35		
5	Rod – Long 22"	35.60	39.16	37.70	41.47
6	Barrel – Long 20"	84.60	93.06	96.00	105.60
7	Barrel – Short 14"	66.70	73.37		
8	Compensator Bush	7.80	8.58	31.40	34.54
28	8" Plunger Assembly complete*	50.80	55.88		
29	12" Plunger Assembly complete*	58.00	63.80	152.70	167.97

(*) Compensator Plunger Assembly consists of P/Nos. 1, 2, 3 & 4 or 5 without neoprene pump buckets



PUMP ROD COUPLINGS, MILL RODS

• BRASS HEX PUMP ROD COUPLINGS

Code	Description	\$ EX GST	\$ INC GST
BRCS1212	1/2" x 1/2"	8.00	8.80
BRCL1212	1/2" x 1/2" Long (3 7/8")	15.90	17.49
BRCS5858	5/8" x 5/8"	10.00	11.00
BRCL5858	5/8" x 5/8" Long (3 7/8")	16.20	17.82
BRCS5812	5/8" x 1/2"	10.00	11.00
BRCL5812	5/8" x 1/2" Long (3 7/8")	17.60	19.36
BRCS3434	3/4" x 3/4"	16.50	18.15
BRCL3434	3/4" x 3/4" Long (3 7/8")	18.50	20.35
BRCS3412	3/4" x 1/2"	16.50	18.15
BRCS3458	3/4" x 5/8"	16.50	18.15
BRCL3458	3/4" x 5/8" Long (3 7/8")	20.40	22.44



• GUNMETAL BRONZE PUMP ROD COUPLINGS

Code	Description	\$ EX GST	\$ INC GST
RS78W58W	7/8" W x 5/8" W	28.60	31.46
RS78W78W	7/8" W x 7/8" W	28.60	31.46
RS78W34W	7/8" W x 3/4" W	28.60	31.46
RS1W58W	1" W x 5/8" W	28.60	31.46
RS1W34W	1" W x 3/4" W	28.60	31.46
RS1W78W	1" W x 7/8" W	28.60	31.46
RS1W1W	1" W x 1" W	28.60	31.46



• GALVANISED STEEL PUMP ROD COUPLINGS

Code	Description	\$ EX GST	\$ INC GST
GSRC1212	1/2"W x 1/2"W	13.10	14.41
GSRC5812	5/8"W x 1/2"W	15.50	17.05
GSRC5858	5/8" W x 5/8"W	14.50	15.95
GSRC3434	3/4"W x 3/4"W	25.20	27.72
GSRC3458	3/4"W x 5/8"W	28.30	31.13



• STAINLESS STEEL 316 PUMP ROD COUPLINGS

Code	Description	\$ EX GST	\$ INC GST
SSRC1212	1/2"W x 1/2"W	23.00	25.30
SSRC5812	5/8"W x 1/2"W	24.60	27.06
SSRC5858	5/8" W x 5/8"W	24.60	27.06
SSRC38P12	3/8" BSP x 1/2"W	26.30	28.93
SSRC38P58	3/8" BSP x 5/8"W	28.40	31.24



- **SOLID STEEL PUMP ROD COUPLINGS**

Code	Description	\$ EX GST	\$ INC GST
PRC34P34W	3/4" BSP x 3/4" W	61.00	67.10
PRC34P58W	3/4" BSP x 5/8" W	61.00	67.10
PRC34P12W	3/4" BSP x 1/2" W	61.00	67.10



- **GALVANISED HIGH TENSILE STEEL WINDMILL PUMP RODS**

Code	Description	\$ EX GST	\$ INC GST
GMR126.5	1/2"W x 6.5m Threaded Whitworth both ends	69.80	76.78
GMR586.5	5/8"W x 6.5m Threaded Whitworth both ends	88.00	96.80
GMR123.25	1/2"W x 3.25m Threaded Whitworth both ends	48.00	52.80
GMR583.25	5/8"W x 3.25m Threaded Whitworth both ends	54.00	59.40

- **STAINLESS STEEL WINDMILL PUMP RODS**

Code	Description	\$ EX GST	\$ INC GST
SSMR123.25	1/2"W x 3.25m 304 S/S whitworth both ends	58.70	64.57
SSMR583.25	5/8"W x 3.25m 304 S/S whitworth both ends	80.30	88.33

- **WOODEN WINDMILL PUMP RODS**

Spotted Gum Hardwood Windmill Pump Rods – Plain, Undrilled Ends Std 6 metre lengths

Code	Description	\$ EX GST	\$ INC GST
WMR114	1 1/4" Square x 6m Plain Ends	32.00	35.20
WMR134	1 3/4" Square x 6m Plain Ends	52.00	57.20

- **NYLON MILL ROD CENTRALIZERS**

Code	Description	\$ EX GST	\$ INC GST
NMRC12	To suit 1/2" rod	4.95	5.45
NMRC58	To suit 5/8" rod	4.95	5.45
NMRC12P	Packet of 5 x 1/2" centralizers	24.75	27.23
NMRC58P	Packet of 5 x 5/8" centralizers	24.75	27.23



- **MANGANESE/BRONZE PUMP ROD FORK CONNECTORS**

Code	Description	\$ EX GST	\$ INC GST
BFRC58	5/8" W Fem x 1" Wood Rod Fork c/w Rivets	206.30	226.93
BFRC34	3/4" W Fem x 1 1/4" Wood Rod Fork c/w Rivets	237.50	261.25
BFRC78	7/8" W Fem x 1 1/2" Wood Rod Fork c/w Rivets	280.00	308.00
BFRC1	1" W Fem x 1 1/2" Wood Rod Fork c/w Rivets	280.00	308.00



- **GALVANISED STEEL WINDMILL PUMP ROD FORK CONNECTOR**

Code	Description	\$ EX GST	\$ INC GST
FRC12	1/2"W Male x 1 1/4" Wood rod – FKC	50.50	55.55
FRC58	5/8" W Male x 1 3/4" Wood rod – FKD	56.60	62.26
FRC34	3/4"W Male x 1 3/4" Wood rod – FKE	125.00	137.50



- **GALVANISED STEEL WINDMILL PUMP COLUMN PIPE CLAMPS**

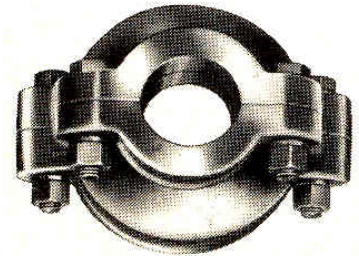
Rated to hold up to 200Ft column

Code	Description	\$ EX GST	\$ INC GST
PC32S	1 1/4" x 8" Long	54.20	59.62
PC32L	1 1/4" x 12" Long	57.50	63.25
PC40S	1 1/2" x 8" Long	54.20	59.62
PC40L	1 1/2" x 12" Long	57.50	63.25
PC50S	2" x 8" Long	56.50	62.15
PC50L	2" x 12" Long	59.80	65.78
PC65L	2 1/2" x 12" Long	112.00	123.20
PC80L	3" x 12" Long	137.00	150.70



- **COMBINED BORE CASING/PIPE CLAMPS – CAST IRON**

Code	Description	\$ EX GST	\$ INC GST
BCCI450150	4½" casing x 1½" pipe	250.00	275.00
BCCI450200	4½" casing x 2" pipe	250.00	275.00
BCCI500150	5" casing x 1½" pipe	262.50	288.75
BCCI500200	5" casing x 2" pipe	262.50	288.75
BCCI550150	5½" casing x 1½" pipe	268.75	295.63
BCCI550200	5½" casing x 2" pipe	268.75	295.63
BCCI600150	6" casing x 1½" pipe	275.00	302.50
BCCI600200	6" casing x 2" pipe	275.00	302.50



- **STEEL WELD-ON PUMP ROD JOINTS**

For welding to plain end Galvanized pipe being used as pump rod in bores

Code	Description	\$ EX GST	\$ INC GST
KEE	To suit ¾" Gal. Pipe PE	80.00	88.00
KEF	To suit 1" Gal. Pipe PE	83.75	92.13
KEG	To suit 1¼" Gal. Pipe PE	88.75	97.63



- **GALVANISED FISH PLATES**

Code	Description	\$ PRICE EXCL.GST	\$ PRICE INCL. GST
C260	Small for 1¼" Wood Rod	28.80	31.68
C261	Large for 1½" Wood Rod	39.60	43.56



- **GALVANISED STEEL BORE CAPS**

Slotted to allow cables etc. to be installed inside casing

Code	Description	\$ PRICE EXCL.GST	\$ PRICE INCL. GST
BC125	Threaded to fit 1¼" BSP column	68.10	74.91
BC150	Threaded to fit 1½" BSP column	69.80	76.78
BC200	Threaded to fit 2" BSP column	71.50	78.65



- **3/8" ZP HOOK BOLTS c/w NUTS & WASHERS**

Code	Description	\$ PRICE EXCL.GST	\$ PRICE INCL. GST
ZPHB400	4" x 3/8" Hook bolt	5.10	5.61
ZPHB450	4½" x 3/8" Hook bolt	5.10	5.61
ZPHB500	5" x 3/8" Hook bolt	5.30	5.83
ZPHB550	5½" x 3/8" Hook bolt	5.30	5.83



- **½" GALVANISED U-BOLTS c/w NUTS & WASHERS**

Code	Description	\$ PRICE EXCL.GST	\$ PRICE INCL. GST
GUB125	To suit 1¼" Galvanised Pipe	22.00	24.20
GUB150	To suit 1½" Galvanised Pipe	22.50	24.75
GUB200	To suit 2" Galvanised Pipe	23.00	25.30



WINDMILL PUMP COLUMN & PUMP RODS - PROPOL

- BRASS HEX COUPLING ENDS ONLY SUIT PROPOL RODS**

PROPOL PUMP COLUMN is a high density thick wall pipe, manufactured from polypropylene with BSP threaded male ends & each length is supplied complete with a BSP Coupling socket one end.

This material is **not** recommended for use

Code	Item Description	\$ EX GST	\$ INC GST
PPRE12F	1/2" Whit Female End	18.50	20.35
PPRE12M	1/2" Whit Male End	18.50	20.35
PPRE58F	5/8" Whit Female End	18.80	20.68
PPRE58M	5/8" Whit Male End	18.80	20.68
PPRE58F12M	5/8"W Fem x 1/2"W Male	17.80	19.58
PPRE58M12F	5/8"W Male x 1/2"W Fem	17.80	19.58

with **DIRECT ACTING MILLS, PUMP JACKS & DRAW PLUNGER PUMPS.**

PROPOL PUMP COLUMN Threaded BSP Both Ends c/w Joining Socket			
Code	Item Description	\$ EX GST	\$ INC GST
PPC32x3	1 1/4" x 3m Length Rated to 59' (43mmOD, 34mm ID, 1 1/4"BSP)	43.00	47.30
PPC32x6	1 1/4" x 6m Length Rated to 59' (43mmOD, 34mm ID, 1 1/4"BSP)	72.00	79.20
PPC40x3	1 1/2" x 3m Length Rated to 138' (50mmOD, 40mm ID, 1 1/2"BSP)	56.00	61.60
PPC40x6	1 1/2" x 6m Length Rated to 138' (50mmOD, 40mm ID, 1 1/2"BSP)	85.00	93.50
PPC50x3	2" x 3m Length Rated to 226' (60mmOD, 47mm ID, 2"BSP)	89.00	97.90
PPC50x6	2" x 6m Length Rated to 226' (60mmOD, 47mm ID, 2"BSP)	128.00	140.80

No warranty is implied or given in relation to this material, owing to the variable mill operating & down hole conditions. It is recommended that 1 1/2" propol be used to replace 1 1/4" galvanized pipe & 2" propol be used to replace existing 1 1/2" galvanized pipe. As with all thermoplastic pipes, this material exhibits a high rate of thermal expansion when compared to steel. Special consideration should therefore be given with handling & installation. Use of a surface pipe clamp & down hole stabilizers are recommended.

- PROPOL PUMP ROD c/w Fitted Brass Hex M&F Couplings**

Code	Item Description	\$ EX GST	\$ INC GST
PPR1/2x3	1/2" Steel Rod x 3m Length (3/4" OD Poly, 1/2" W Brass M&F Ends)	76.00	83.60
PPR1/2x6	1/2" Steel Rod x 6m Length (3/4" OD Poly, 1/2" W Brass M&F Ends)	95.00	104.50
PPR5/8x3	5/8" Steel Rod x 3m Length (7/8" OD Poly, 5/8" W Brass M&F Ends)	84.00	92.40
PPR5/8x6	5/8" Steel Rod x 6m Length (7/8" OD Poly, 5/8" W Brass M&F Ends)	116.00	127.60



- PUMP COLUMN RUBBER STABILIZERS**

Code	Item Description	\$ EX GST	\$ INC GST
STAB40	1½" Flower Type – 11mm Thick	18.00	19.80
STAB50	2" Flower Type – 11mm Thick	18.00	19.80

MONO2	2" Mono Type – 88mm Thick	77.00	84.70
MONO112	1½" Mono Type – 62mm Thick	77.00	84.70

