

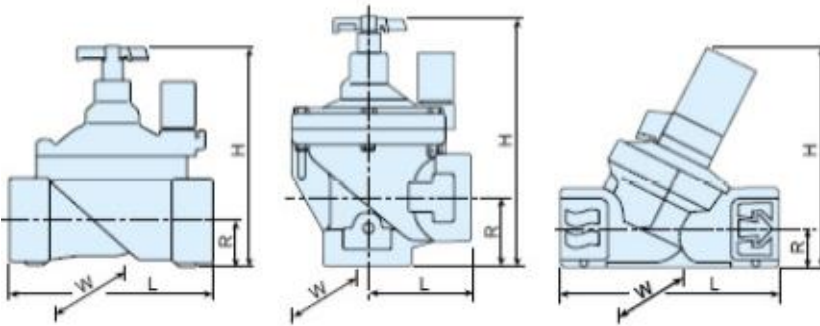
# SOLENOID VALVES

## • 200 SERIES PLASTIC HYDRAULIC/ELECTRIC CONTROL VALVES

### FEATURES

- Constructed of corrosion-resistant, high engineering plastics, synthetic rubber and stainless steel parts.
- Very high flow rate with very low head loss.
- Operation over a wide range of pressures.
- Smooth valve opening and closing prevents pressure surge hazards.
- Self-cleaning orifice on electric models provides reliable valve operation, even with brackish water.
- Flow control handle for water flow adjustment.
- Manual solenoid override for opening valves in case of power failure without external water spill.
- High performance solenoid with low electrical power consumption.
- Wide range of models of electric and pressure regulating control valves.

### Dimensions and Weights



	Globe Pattern				Angle Pattern		Y Pattern
Size (mm)	3/4"	1"	1 1/2"	2"	1 1/2"	2"	1"
L	110	110	160	170	80	85	114
H	115	115	180	190	190	210	115
R	22	22	35	38	40	60	21
W	78	78	125	125	125	125	68
<b>Weight (kg)*</b>	0.35	0.33	1.0	1.1	0.95	0.91	0.30

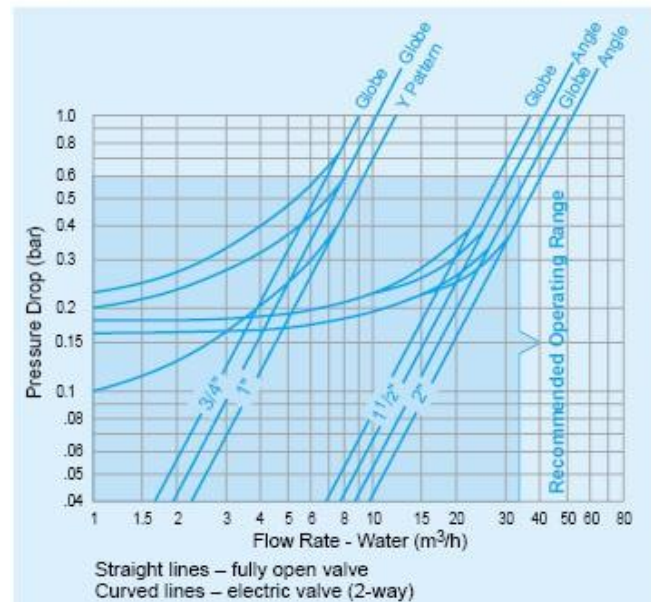
\* Without flow control handle

### TECHNICAL DATA

#### Specifications

- **Valve Pattern:** globe, angle & Y-pattern (1" only)
- **Sizes:** 3/4", 1", 1 1/2" & 2"
- **End Connections:**
  - female threaded BSP, NPT
- **Pressure Rating:**
  - ISO: PN 10
  - ANSI: Class 125
- **Operating Pressure Range:** 0.7-10 bar (10-150 psi)
- **Temperature Range:** Water up to 80°C (180°F)
- **Electrical Data:**
  - **Standard:**
    - Voltage: 24V AC (50-60 Hz)
    - Current: holding 0.20A, inrush 0.40A
  - **Optional Voltages:** 6V DC, 12V DC, 24V DC, 12V AC, 24V AC
- **Materials:**
  - Body and cover: Nylon Reinforced
  - Metal parts: Stainless Steel
  - Diaphragm: Natural Rubber
  - Seals: Buna-N and NR

### Flow Chart



CODE	Description	LINK
210-2W-25	1" Globe Valve	<a href="#">View Product</a>
210-2W-40	1 1/2" Globe Valve	
210-2W-50	2" Globe Valve	

