



**Rodney
Industries**

A Division of Vinidex Pty Limited

TRAVELLING IRRIGATORS

RI RANGE



Rodney Industries

A Division of Vinidex Pty Limited

Phone: 07 3624 0300
Email: sales@rodneyind.com.au
Web: www.rodneyind.com.au



IRRIGATION EXCELLENCE

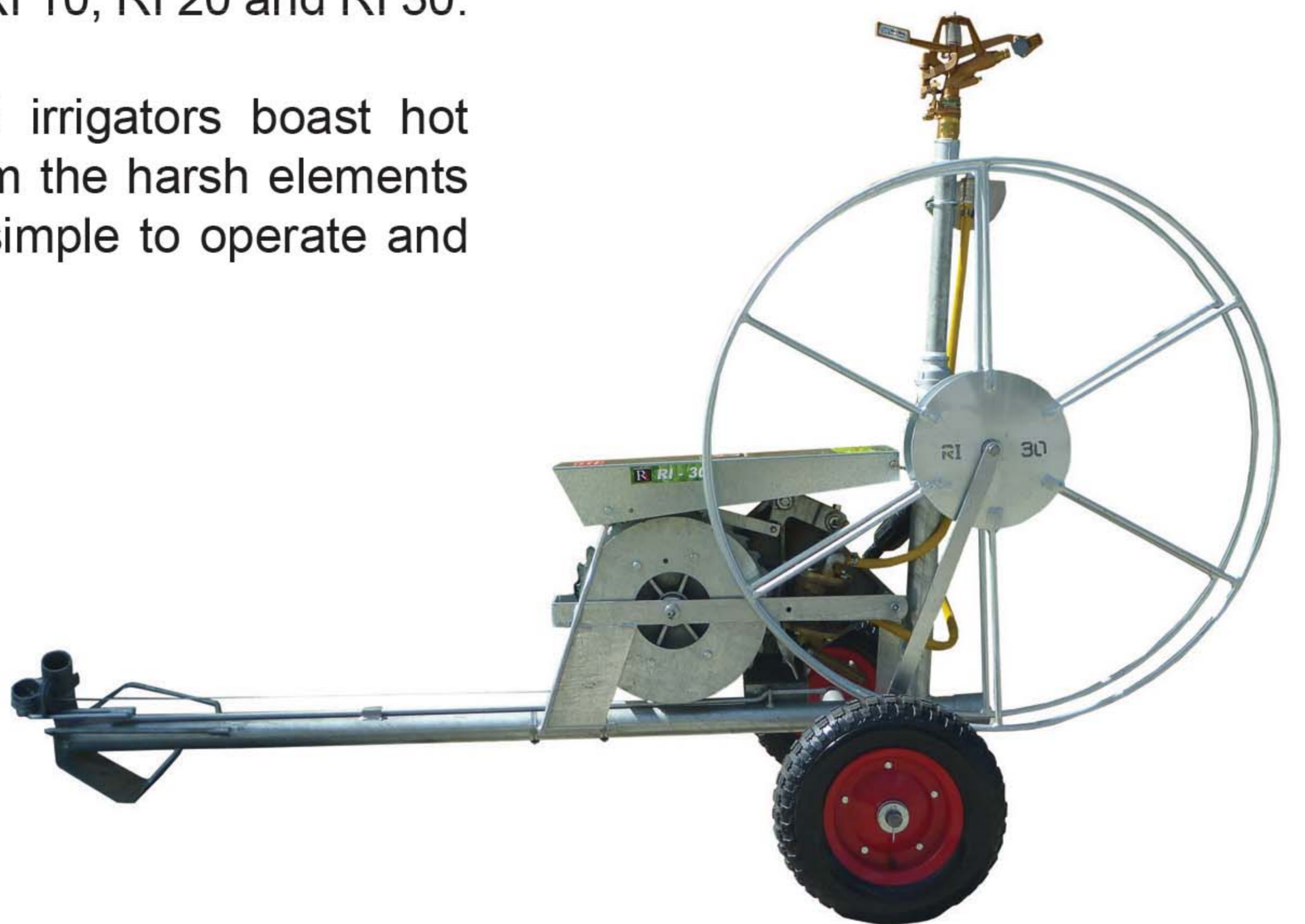
***The ideal solution for small to medium irrigation needs.
From golf courses to playing fields, turf farms to mining sites.***

Formally a part of the Southern Cross Range of irrigators, our RI Range consists of 3 smaller sized irrigators the RI 10, RI 20 and RI 30.

These Australian designed and manufactured irrigators boast hot dipped galvanizing to protect the machines from the harsh elements as well as increase their durability. They are simple to operate and have the power to handle all conditions.

Other features include:

- Self – propelled
- Auto stop
- Integral hose reel (RI-20/30 models)
- Adjustable speed
- Positive drive via winch cable & anchor



OFFERING THE COMPLETE PACKAGE

At Rodney Industries we offer a complete range of irrigation fittings. We understand the importance of quality and value for money. Take for example our hose joiner:

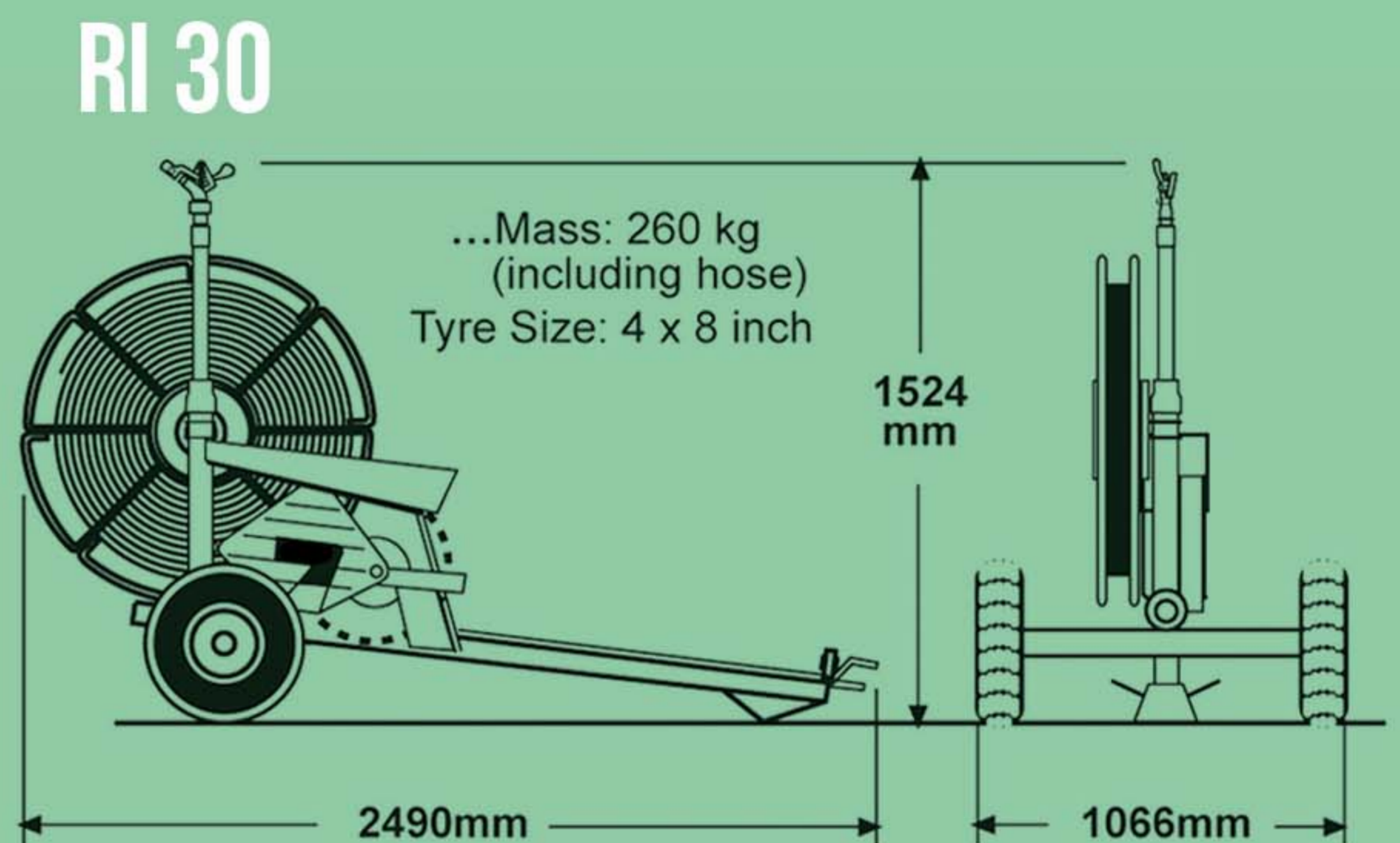
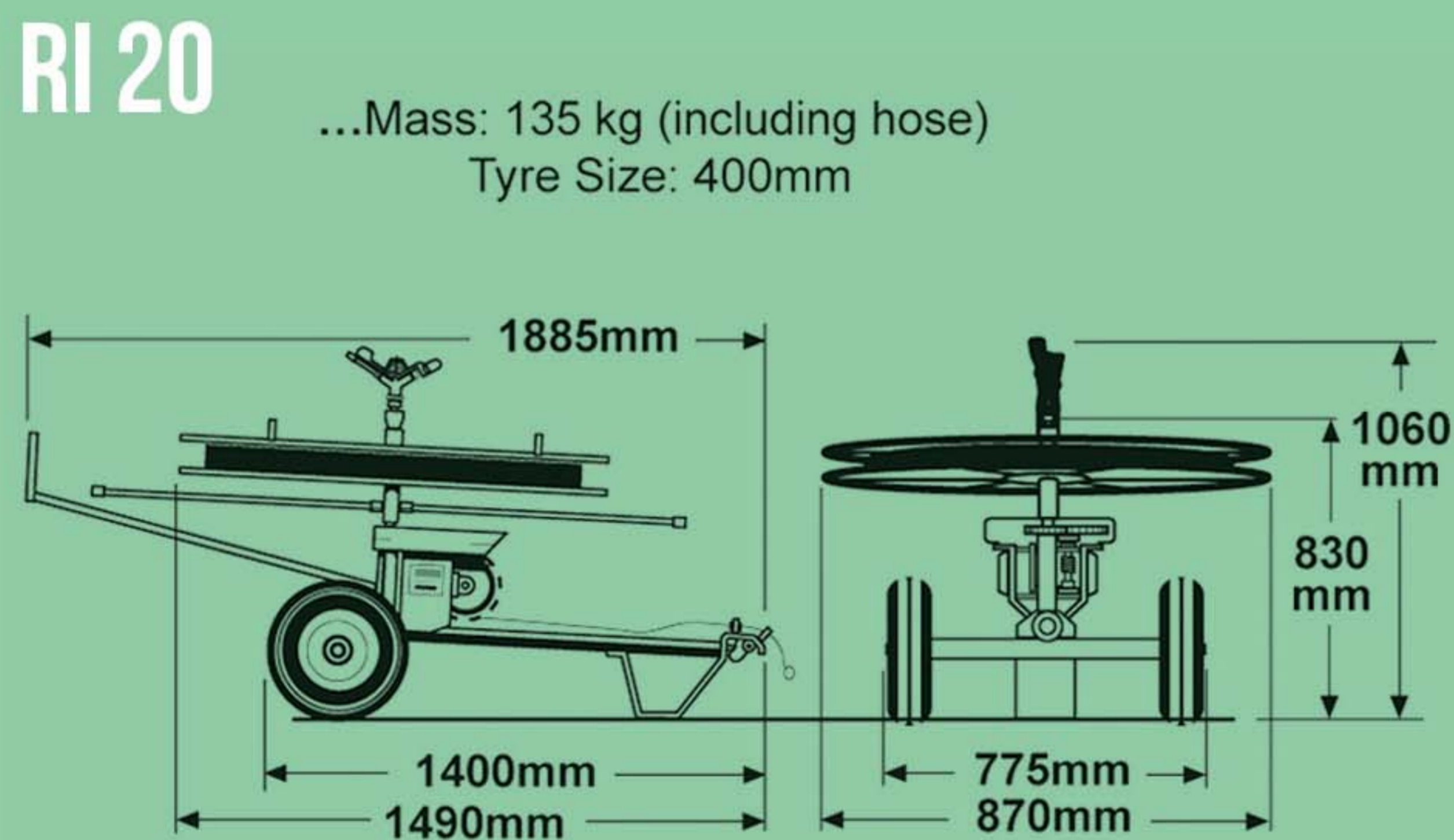
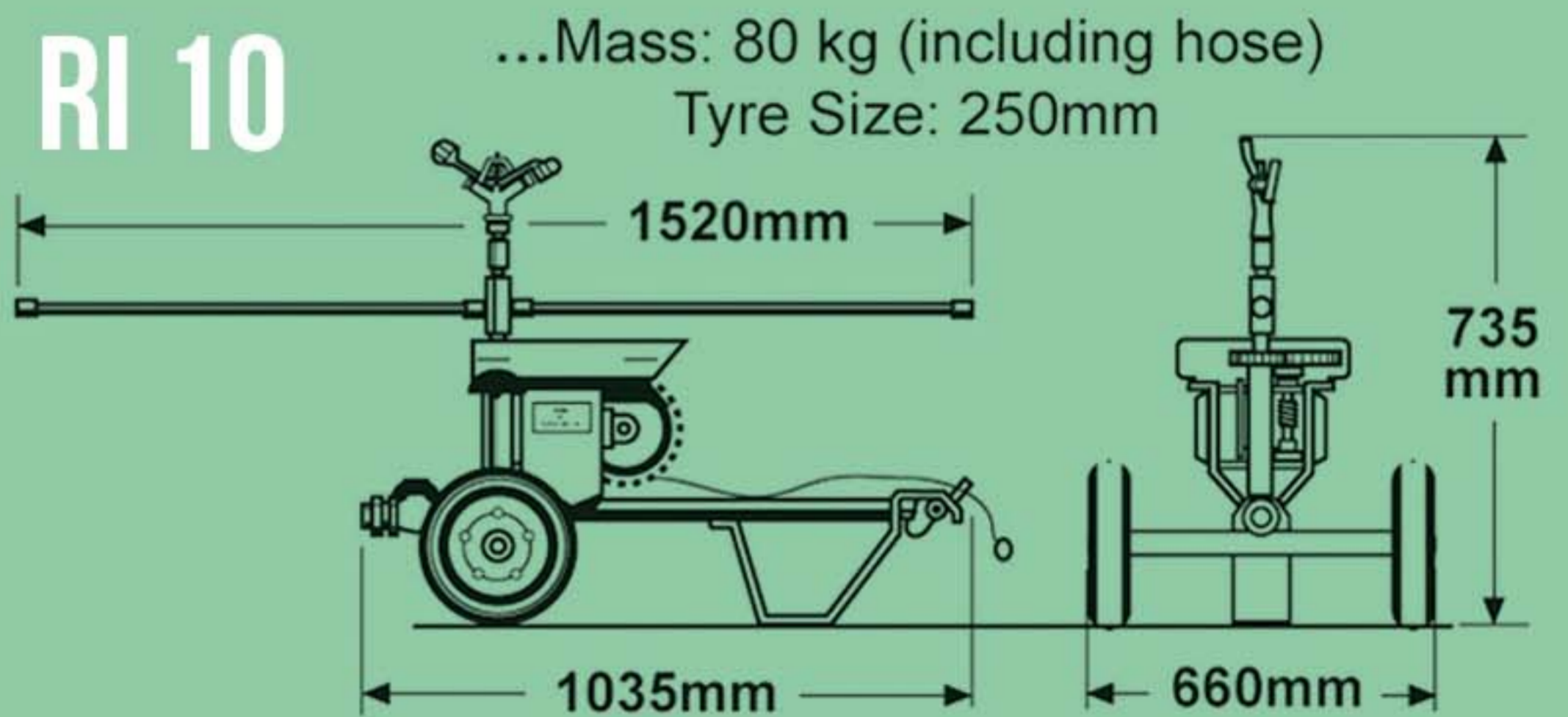
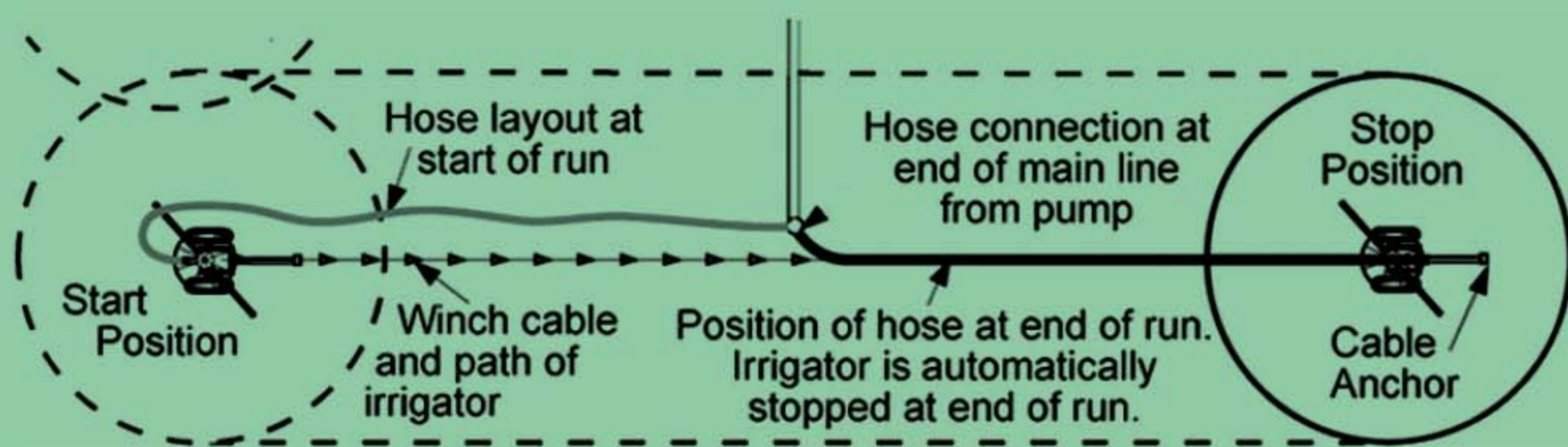
- Heavier wall thickness for strength and durability.
- Chamfered for easy installation and hose protection.
- Smooth tapered spigot to reduce rusting and cutting inside irrigation hose.
- Hot dipped galvanized for longer lifespan.



THE RANGE

	RI 10	RI 20	RI 30
Sprinkler:	Nelson F70V Sprinkler	Nelson F80V Sprinkler	Nelson P85 Sprinkler
Hose:	55 metres x 25mm (1 inch)	67 metres x 40mm (1 ½ inch)	100 metres x 50mm (2 inch) Angus Hi-Flow
Flow Rate:	0.73 to 1.4 litres per second	1.73 to 7.12 litres per second	1.7 to 7.3 litres per second
Operating Pressure Range:	275 to 345 kPa	345 to 483 kPa	413 to 551 kPa
Travel Distance Per Run:	100 metres	126 metres	200 metres
Wetted Width:	32 to 40 metres	44 to 67 metres	46 to 70 metres
Driving Mechanism:	Water-jet powered rotary driving arms acting through high quality worm reduction drive to cable winch.	Water-jet powered rotary driving arms acting through high quality worm reduction drive to cable winch.	Powerful piston type water motor with lever action drive to large diameter cable winch
Construction:	Heavy duty welded steel chassis all hot dip galvanized.	Heavy duty welded steel chassis all hot dip galvanized. Choice of skid or front wheels.	Heavy duty welded steel chassis all hot dip galvanized.

TYPICAL METHOD OF OPERATION...



Please note weights and dimensions are to be used as a guide only.



Tried and tested by the agricultural and irrigation markets, the Nelson Australia sprinklers used on the RI Range of Travelling Irrigators come complete with performance and durability.



SPECIFICATIONS

RI 10

Sprinkler and Hose	Nozzle Diam. Mm (ins)	Sprinkler Pressure kPa (psi)	Flow Rate l/sec (gpm)	Friction Loss in Hose kPa (psi)	Sprinkler Wetted Width m (ft)	Average Application Rate/hr mm (points)	Depth of water Applied Per Run @ Travel Speed mm (inches)
Nelson F70V Sprinkler 55m x 25mm Hose	5.6 (7/32)	275 (40)	0.73 (9.7)	55 (8.0)	32 (106)	3.7 (14.5)	11.7 (0.46) @ 7m/hr
		345 (50)	0.81 (10.6)	69 (10.0)	34 (110)	3.7 (14.7)	12.4 (0.49) @ 7m/hr
	6.4 (1/4)	275 (40)	0.90 (11.9)	90 (13.0)	33 (109)	4.3 (16.8)	14.0 (0.55) @ 7m/hr
		345 (50)	0.99 (13.1)	112 (16.2)	35 (114)	4.3 (16.9)	14.7 (0.58) @ 7m/hr
	7.2 (9/32)	275 (40)	1.08 (14.3)	135 (19.6)	34 (112)	4.9 (19.2)	16.3 (0.64) @ 7m/hr
		345 (50)	1.19 (15.7)	161 (23.4)	36 (119)	4.7 (18.6)	16.8 (0.66) @ 7m/hr
	8.0 (5/16)	275 (40)	1.30 (17.7)	165 (24.0)	38 (124)	5.5 (21.8)	18.0 (0.70) @ 7m/hr
		345 (50)	1.40 (19.7)	195 (28.3)	40 (131)	5.7 (22.8)	18.5 (0.72) @ 7m/hr

RI 20

Nelson F80V Sprinkler 67m x 40mm Hose	8.7 (11/32)	345 (50)	1.73 (22.8)	14 (2.0)	44.0 (144)	4.7 (18.5)	35.3 (1.39) @ 4m/hr
		483 (70)	2.05 (27.0)	16 (2.3)	48.6 (160)	4.5 (17.7)	37.6 (1.48) @ 4m/hr
	9.5 (3/8)	345 (50)	2.02 (26.7)	16 (2.3)	45.6 (150)	5.1 (20.0)	39.9 (1.57) @ 4m/hr
		483 (70)	2.38 (31.5)	24 (3.5)	50.6 (166)	4.9 (19.2)	42.4 (1.67) @ 4m/hr
	10.3 (13/32)	345 (50)	2.34 (30.9)	24 (3.5)	47.4 (156)	5.4 (21.4)	44.2 (1.74) @ 4m/hr
		483 (70)	2.77 (36.6)	31 (4.5)	52.4 (172)	5.3 (20.8)	47.8 (1.88) @ 4m/hr
	11.1 (7/16)	345 (50)	2.64 (34.8)	28 (4.1)	49.4 (162)	5.7 (22.3)	48.0 (1.89) @ 4m/hr
		483 (70)	3.14 (41.5)	40 (5.8)	54.8 (180)	5.5 (21.6)	51.6 (2.03) @ 4m/hr
	11.9 (15/32)	345 (50)	2.99 (39.5)	36 (5.2)	51.2 (168)	6.0 (23.5)	52.6 (2.07) @ 4m/hr
		483 (70)	3.55 (46.9)	47 (6.8)	56.6 (186)	5.8 (22.8)	56.4 (2.22) @ 4m/hr
	12.7 (1/2)	345 (50)	3.37 (44.5)	46 (6.7)	53.0 (174)	6.3 (24.7)	57.2 (2.25) @ 4m/hr
		483 (70)	3.40 (52.8)	66 (9.6)	58.4 (192)	6.1 (24.1)	61.5 (2.42) @ 4m/hr
	13.5 (17/32)	345 (50)	3.76 (49.6)	58 (8.4)	54.8 (180)	6.6 (25.8)	61.7 (2.43) @ 4m/hr
		483 (70)	4.46 (58.9)	80 (11.6)	60.4 (198)	6.4 (25.3)	66.5 (2.62) @ 4m/hr
	14.3 (9/16)	345 (50)	4.17 (55.0)	70 (10.2)	56.0 (184)	6.9 (27.3)	66.8 (2.63) @ 4m/hr
		483 (70)	4.94 (65.2)	98 (14.2)	62.2 (204)	6.7 (26.3)	71.4 (2.81) @ 4m/hr
	15.1 (19/32)	345 (50)	4.59 (60.6)	85 (12.3)	58.8 (192)	7.0 (27.6)	70.6 (2.78) @ 4m/hr
		483 (70)	5.45 (72.0)	120 (17.4)	63.8 (208)	7.1 (28.0)	77.5 (3.05) @ 4m/hr
15.9 (5/8)	345 (50)	5.02 (66.2)	101 (14.7)	61.6 (202)	6.9 (27.3)	73.4 (2.89) @ 4m/hr	
	483 (70)	5.96 (78.7)	144 (20.8)	65.2 (214)	7.3 (28.9)	82.3 (3.24) @ 4m/hr	
17.5 (11/16)	345 (50)	6.01 (79.3)	146 (21.2)	61.6 (202)	8.3 (32.7)	87.9 (3.46) @ 4m/hr	
	483 (70)	7.12 (94.0)	201 (29.2)	67.0 (220)	8.3 (32.6)	95.8 (3.77) @ 4m/hr	

RI 30

							11hr Run	23hr Run	47hr Run
Nelson P85 Sprinkler 100m x 50mm Hose (200m Spray Run)	8.7 (11/32)	413 (60)	1.68 (22.2)	9 (1.3)	46 (152)	4.0 (15.6)	10 (0.40)	21 (0.84)	44 (1.73)
		551 (80)	1.93 (25.5)	12 (1.7)	51 (166)	4.0 (15.6)	11 (0.42)	23 (0.89)	46 (1.81)
	9.5 (3/8)	413 (60)	1.99 (26.3)	12 (1.8)	48 (158)	4.4 (17.3)	12 (0.46)	24 (0.96)	50 (1.95)
		551 (80)	2.30 (33.0)	16 (2.3)	52 (172)	4.4 (17.3)	12 (0.49)	26 (1.02)	53 (2.08)
	10.3 (13/32)	413 (60)	2.35 (31.0)	17 (2.4)	51 (166)	4.8 (19.0)	13 (0.52)	27 (1.08)	56 (2.20)
		551 (80)	2.70 (35.7)	22 (3.2)	55 (180)	4.8 (19.0)	14 (0.55)	29 (1.14)	59 (2.33)
	11.1 (7/16)	413 (60)	2.68 (35.4)	21 (3.1)	52 (172)	5.1 (19.9)	14 (0.57)	30 (1.19)	62 (2.43)
		551 (80)	3.11 (41.1)	30 (4.3)	57 (186)	5.1 (19.9)	15 (0.61)	32 (1.27)	66 (2.60)
	11.9 (15/32)	413 (60)	3.07 (40.5)	28 (4.1)	54 (178)	5.4 (21.3)	16 (0.62)	33 (1.31)	68 (2.67)
		551 (80)	3.55 (46.8)	37 (5.4)	59 (194)	5.4 (21.3)	17 (0.66)	35 (1.39)	72 (2.83)
	12.7 (1/2)	413 (60)	3.48 (45.9)	38 (5.5)	56 (184)	5.8 (22.7)	18 (0.69)	36 (1.43)	74 (2.93)
		551 (80)	4.03 (53.2)	47 (6.8)	61 (200)	5.8 (22.7)	19 (0.73)	39 (1.53)	80 (3.13)
	13.5 (17/32)	413 (60)	3.90 (51.5)	43 (6.3)	58 (190)	6.1 (23.9)	19 (0.75)	40 (1.56)	82 (3.22)
		551 (80)	4.53 (59.8)	65 (9.5)	63 (206)	6.1 (23.9)	20 (0.80)	42 (1.67)	87 (3.42)
	14.3 (9/16)	413 (60)	4.36 (57.5)	59 (8.6)	59 (194)	6.4 (25.2)	21 (0.81)	43 (1.70)	88 (3.48)
		551 (80)	5.06 (66.7)	79 (11.5)	65 (212)	6.4 (25.2)	22 (0.87)	46 (1.82)	94 (3.71)
	15.9 (5/8)	413 (60)	5.30 (69.9)	88 (12.7)	63 (206)	7.0 (27.7)	24 (0.94)	50 (1.96)	102 (4.0)
		551 (80)	6.12 (80.8)	114 (16.6)	68 (222)	7.0 (27.7)	25 (1.00)	53 (2.10)	109 (4.3)
17.5 (11/16)	413 (60)	6.38 (84.2)	117 (17.0)	65 (212)	8.0 (31.6)	28 (1.10)	58 (2.29)	119 (4.7)	
	551 (80)	7.33 (96.7)	147 (21.4)	70 (230)	8.0 (31.6)	29 (1.16)	61 (2.42)	126 (4.9)	

Contact Rodney Industries or your local distributor for more detailed specifications.