



CHECK VALVES & STRAINERS



ECO CHECK VALVES



Standard (Table D)

mm	Inches	Code
80	3	6360
100	4	6370
125	5	6380
150	6	6390
200	8	6410
250	10	6420
300	12	6430
350	14	6440
375	15	6450
400	16	6460
450	18	6470
500	20	6480
600	24	6490
660	26	6500
660/750	26/30	6502
660/900	26/36	6504



With Bypass (Table D)

mm	Inches	Bypass Size	Code
80	3	20 copper	6360BP
100	4	20 copper	6370BP
125	5	20 copper	6380BP
150	6	20 copper	6390BP
200	8	20 copper	6410BP
250	10	32 gal	6420BP
300	12	32 gal	6430BP
350	14	40 gal	6440BP
375	15	40 gal	6450BP
400	16	50 gal	6460BP
450	18	50 gal	6470BP
500	20	60 gal	6480BP
600	24	60 gal	6490BP
660	26	80 gal	6500BP
660/750	26/30	80 gal	6502BP
660/900	26/36	80 gal	6504BP



Valve complete with inspection hatch
Please let sales department know when ordering
if you require the hatch. (For sizes 14" and up).

GATE CHECK VALVES



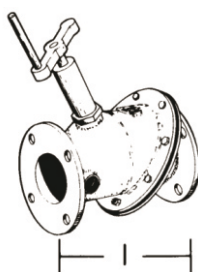
Standard (Table D)

mm	Inches	Code
80	3	6815
100	4	6825
125	5	6835
150	6	6845
200	8	6865
250	10	6885
300	12	6895
350	14	6905
400	16	6925
450	18	6935
500	20	6945
600	24	6955
660	26	6960
750	30	6965
660/750	26/30	6502
660/900	26/36	6504



With Bypass (Table D)

mm	Inches	Bypass Size	Code
80	3	20 copper	6815BP
100	4	20 copper	6825BP
125	5	20 copper	6835BP
150	6	20 copper	6845BP
200	8	20 copper	6865BP
250	10	32 gal	6885BP
300	12	32 gal	6895BP
350	14	40 gal	6905BP
400	16	50 gal	6925BP
450	18	50 gal	6935BP
500	20	65 gal	6945BP
600	24	65 gal	6955BP
660	26	80 gal	6960BP
750	30	80 gal	6965BP
660/750	26/30	80 gal	6502BP
660/900	26/36	80 gal	6504BP



Combination Gate Check Valves

mm	inches	L (mm)
80	3	295
100	4	295
125	5	320
150	6	343
200	8	495
250	10	550
300	12	630

CHECK VALVES



Standard (Table D)

mm	Inches	Code
80	3	6655
100	4	6665
125	5	6675
150	6	6685
200	8	6705
250	10	6725
300	12	6735
350	14	6745
375	15	6755
400	16	6765
450	18	6775
500	20	6785
600	24	6795
660	26	6797
750	30	6805



With Bypass (Table D)

mm	Inches	Bypass Size	Code
80	3	20 copper	6655BP
100	4	20 copper	6665BP
125	5	20 copper	6675BP
150	6	20 copper	6685BP
200	8	20 copper	6705BP
250	10	32 gal	6725BP
300	12	32 gal	6735BP
350	14	40 gal	6745BP
375	15	40 gal	6755BP
400	16	50 gal	6765BP
450	18	50 gal	6775BP
500	20	65 gal	6785BP
600	24	65 gal	6795BP
660	26	80 gal	6797BP
750	30	80 gal	6805BP



Right Angle Discharge Valve (Table D)

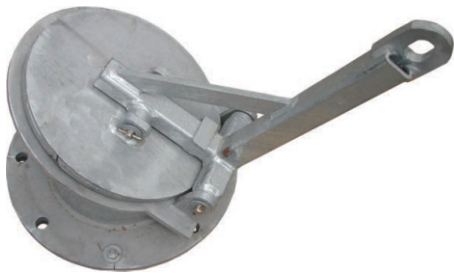
Inlet		Outlet		Code
mm	Inches	mm	Inches	
50&65	2&2½	100&125	4&5	R22545
50&65	2&2½	125&150	5&6	R22556
65&80	2½&3	100&125	4&5	R25345
80&100	3&4	125&150	5&6	R3456
125&150	5&6	200	8	R568

ECO FLAP VALVES



Standard Eco Flap Valve (Table D)

mm	Inches	Code
350	14	ECO3303
400	16	ECO3307
450	18	ECO3312
500	20	ECO3315
600	24	ECO3322
660	26	ECO3323
750	30	ECO3325
800	32	ECO3330
900	36	ECO3335



Heavy Duty Flanged (Table D)

mm	Inches	Code
80	3	3267F
100	4	3275F
125	5	3277F
150	6	3285F
200	8	3287F
250	10	3295F
300	12	3297F
350	14	3303F
375	15	3305F
400	16	3307F
450	18	3312F
500	20	3315F
600	24	3322F
750	30	3325F



Gibault Joint

mm	to suit OD	Code
300	324	GJ300
400	407	GJ400
500	508	GJ500
600	640	GJ600
660	660	GJ660
750	762	GJ750
900	914	GJ900
1200	1219	GJ1200
1500	1520	GJ1500

STRAINERS



Suction Strainer (Perforated Sheet)

Size						
mm	Inches	Mesh size	Open area	Dia.	H	Code
50	2	6.35x8.89	46%	90	200	7450
50	2	6.35x8.89	46%	175	120	7452
80	3	9.53x14.47	40%	200	400	7454



Hose Tail Strainer

mm	Inches	mesh	Code
50	2	Punched	7265
80	3	Punched	7285
100	4	Punched	7295
125	5	Punched	7305
150	6	Punched	7315
200	8	Punched	7325



Flanged Strainer (Table D)

mm	Inches	mesh	Code
80	3	Punched	7345
100	4	Punched	7355
125	5	Punched	7365
150	6	Punched	7375
200	8	Punched	7395
250	10	Weldmesh	7415
300	12	Weldmesh	7425
350	14	Weldmesh	7435



Leaf and Lint Strainers (Table D)

mm	Inches	Code
80	3	7505
100	4	7515
125	5	7525
150	6	7535
200	8	7545

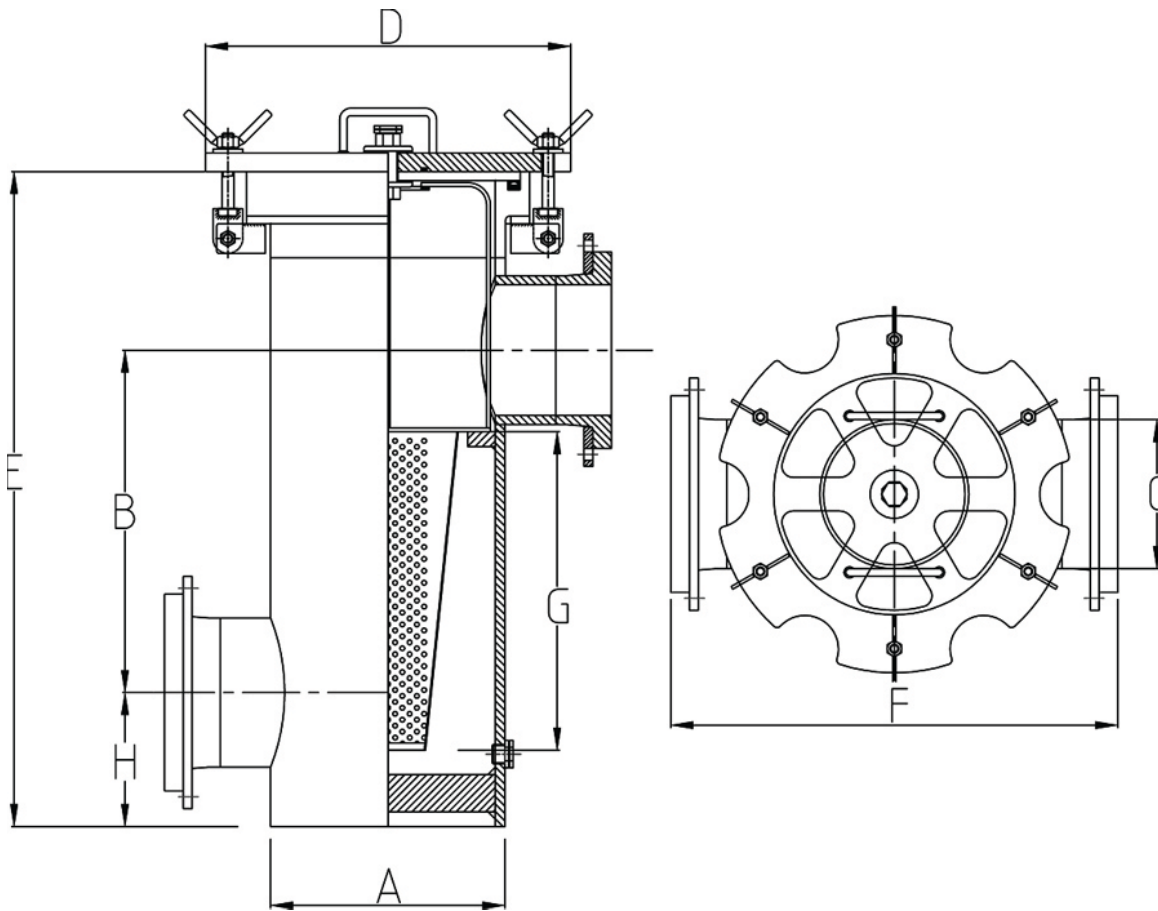


Leaf & Lint Suction Strainers (Table D)

Size	Flow LTR/SEC	Code
LLS-010	10	LLS10
LLS-015	10<15	LLS15
LLS-030	15<30	LLS30
LLS-050	30>50	LLS50
LLS-075	50<75	LLS75
LLS-100	75<100	LLS100
LLS-710	TBA	LLS710

PLEASE NOTE OUR RANGE OF LEAF & LINT SUCTION STRAINERS ARE NOT PRESSURE RATED.

POLY LEAF AND LINT STRAINER



Strainer	Flow	Inlet	Outlet	A	B	C	D	E	F	G	H
LLS-010	10	90	90	315/17	500	90	480	940	570	475	180
LLS-015	10<15	110	90/110	315/17	500	110	480	940	570	475	180
LLS-030	15<30	160	110/160	315/17	500	160	480	940	570	475	180
LLS-050	30<50	200	160/200	400/17	500	200	570	990	700	475	225
LLS-075	50<75	225	200/225	450/21	500	225	635	1015	760	475	225
LLS-100	75<100	250	225/250	500/21	560	250	680	1140	800	490	250
LLS-710	TBA	355/630	355/630	710/17	766	355	900	1375	1300	n/a	760

PLEASE NOTE OUR RANGE OF LEAF & LINT SUCTION STRAINERS ARE NOT PRESSURE RATED.

VALVE SPARES



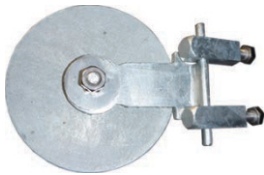
Gate Check Valve Spare Parts - Spindle Only

mm	Inches	Code
80	3	41004
100	4	41002
125	5	41007
150	6	41006
200	8	41008



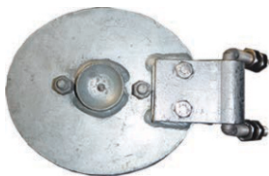
Gate Check Valve Spare Parts - Donkey Complete

mm	Inches	Code
80	3	DON3
100	4	DON4
125	5	DON5
150	6	DON6
200	8	DON8



Footvalve Spare Parts - Clack Assembly Complete

mm	Inches	Code
80	3	FCA3
100	4	FCA4
125	5	FCA5
150	6	FCA6
200	8	FCA8



Check Valve Spare Parts - Clack Assembly Complete

mm	Inches	Code
80	3	GVCA3
100	4	GVCA4
125	5	GVCA5
150	6	GVCA6
200	8	GVCA8



Suction Strainers - Galvanized

Replacement for Rodney's Footvalve

mm	Inches	Mesh	Code
80	3	Punched	7115
100	4	Punched	7125
125	5	Punched	7135
150	6	Punched	7145
200	8	Punched	7165

VALVE SPARES



Suction Strainers - Stainless

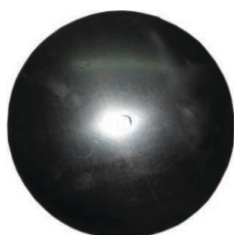
Replacement for Rodney's Footvalve

mm	Inches	Mesh	Code
80	3	Punched	7115SS
100	4	Punched	7125SS
125	5	Punched	7135SS
150	6	Punched	7145SS
200	8	Punched	7165SS316



Check Valve Clack Rubber

mm	Inches	Code
80	3	11085EPDM
100	4	11095EPDM
125	5	11105EPDM
150	6	11115EPDM
200	8	11135EPDM



Footvalve Clack Rubber

mm	Inches	Code
80	3	11235EPDM
100	4	11245EPDM
125	5	11255EPDM
150	6	11265EPDM
200	8	11285EPDM
250	10	11305EPDM
300	12	11315EPDM
350	14	11325EPDM
375	15	11335EPDM
400	16	11345EPDM
450	18	11355EPDM
500	20	11365EPDM
600	24	11375EPDM
750	30	11385EPDM



CHECK VALVES & STRAINERS



For Assistance please contact Michael: 0488 917 285 or
michael@irrigationdirect.com.au