



CAMLOCKS





GENERAL INFORMATION

What Is the Significance of Camlock Couplings?

Camlock couplings provide a simple, affordable & reliable method for connecting and disconnecting hoses without the use of tools. They are effortless to use and are extremely versatile and suitable for multiple purposes and applications such as; agriculture, petroleum, military, civil, construction, manufacturing and industrial environments.

Camlock couplings are perfect for the transfer of both dry materials and fluids. There are plenty of uses associated with the Camlock couplings including the transfer of water, fuel, oil, chemicals, food, or dry products, hence important to choose the right material from which the couplings are made to facilitate the easy transfer of materials through them.

Advantages of using Camlocks are long life service life, quite easy to handle & connect, Easy maintenance, no special tools required to connect or disconnect, commonly available, High-quality product & affordable

Below are some of the common Camlock applications and the materials from which they are made:

- AL = Aluminium** Great for use with freshwater or mixtures of oil and water.
- BZ = Brass** Work very efficiently for salt water & are suitable for almost every environment.
- NY = Nyglass** For sensitive applications for drinking water or chemical applications
- PP = Polypropylene** Widely used in chemical industry & in the agricultural industry
- SS = Stainless Steel 316** Perfect for transferring acid, alkali, and food products.

Common styles of Camlock couplings:

- TYPE A:** Male Camlock Adapter X Female Thread
- TYPE B:** Female Coupler X Male Thread
- TYPE C:** Female Camlock X Hose Tail
- TYPE D:** Female Camlock Coupler X Female Thread
- TYPE E:** Male Camlock X Hose Tail
- TYPE F:** Male Camlock Adapter X Male Thread
- TYPE DC:** Female Camlock Dust Cap
- TYPE DP:** Male Camlock Dust Plug

Available sizes of Camlock couplings

SIZE NOM.	SIZE NOM.	HOSE ID	HOSE ID
12mm	1/2"	13mm	1/2"
20mm	3/4"	19mm	3/4"
25mm	1"	25mm	1"
32mm	1-1/4"	32mm	1-1/4"
38mm	1-1/2"	38mm	1-1/2"
50mm	2"	51mm	2"
65mm	2-1/2"	63mm	2-1/2"
75mm	3"	76mm	3"
100mm	4"	102mm	4"
125mm	5"	127mm	5"
150mm	6"	152mm	6"

ALUMINIUM



BRASS



NYGLASS



POLYPROPYLENE



STAINLESS STEEL



CAMLOCKS



TYPE A

Male Camlock x Female BSP Thread available in the below materials, substitute XX with:

- AL** = Aluminium
- BJ** = BANJO® Brand
- BZ** = Brass
- NY** = Nyglass
- PP** = Polypropylene
- SS** = Stainless Steel 316
- WAC** = WAM® Brand



P/N	SIZE NOM.	SIZE NOM.	HOSE ID
C-XX-012A	12mm	1/2"	12mm
C-XX-020A	20mm	3/4"	20mm
C-XX-025A	25mm	1"	25mm
C-XX-032A	32mm	1-1/4"	32mm
C-XX-038A	38mm	1-1/2"	38mm
C-XX-050A	50mm	2"	50mm
C-XX-065A	65mm	2-1/2"	65mm
C-XX-075A	75mm	3"	75mm
C-XX-100A	100mm	4"	100mm
C-XX-125A	125mm	5"	125mm
C-XX-150A	150mm	6"	150mm

TYPE B

Female Camlock x Male BSP Thread available in the below materials, substitute XX with:

- AL** = Aluminium
- BJ** = BANJO® Brand
- BZ** = Brass
- NY** = Nyglass
- PP** = Polypropylene
- SS** = Stainless Steel 316
- WAC** = WAM® Brand



P/N	SIZE NOM.	SIZE NOM.	HOSE ID
C-XX-012B	12mm	1/2"	12mm
C-XX-020B	20mm	3/4"	20mm
C-XX-025B	25mm	1"	25mm
C-XX-032B	32mm	1-1/4"	32mm
C-XX-038B	38mm	1-1/2"	38mm
C-XX-050B	50mm	2"	50mm
C-XX-065B	65mm	2-1/2"	65mm
C-XX-075B	75mm	3"	75mm
C-XX-100B	100mm	4"	100mm
C-XX-125B	125mm	5"	125mm
C-XX-150B	150mm	6"	150mm

TYPE C

Female Camlock x Hose Tail available in the below materials, substitute XX with:

- AL** = Aluminium
- BJ** = BANJO® Brand
- BZ** = Brass
- NY** = Nyglass
- PP** = Polypropylene
- SS** = Stainless Steel 316
- WAC** = WAM® Brand



P/N	SIZE NOM.	SIZE NOM.	HOSE ID
C-XX-012C	12mm	1/2"	12mm
C-XX-020C	20mm	3/4"	20mm
C-XX-025C	25mm	1"	25mm
C-XX-032C	32mm	1-1/4"	32mm
C-XX-038C	38mm	1-1/2"	38mm
C-XX-050C	50mm	2"	50mm
C-XX-065C	65mm	2-1/2"	65mm
C-XX-075C	75mm	3"	75mm
C-XX-100C	100mm	4"	100mm
C-XX-125C	125mm	5"	125mm
C-XX-150C	150mm	6"	150mm

CAMLOCKS



TYPE D

Female Camlock x Female BSP Thread available in the below materials, substitute XX with:

- AL** = Aluminium
- BJ** = BANJO® Brand
- BZ** = Brass
- NY** = Nyglass
- PP** = Polypropylene
- SS** = Stainless Steel 316
- WAC** = WAM® Brand



P/N	SIZE NOM.	SIZE NOM.	HOSE ID
C-XX-012D	12mm	1/2"	12mm
C-XX-020D	20mm	3/4"	20mm
C-XX-025D	25mm	1"	25mm
C-XX-032D	32mm	1-1/4"	32mm
C-XX-038D	38mm	1-1/2"	38mm
C-XX-050D	50mm	2"	50mm
C-XX-065D	65mm	2-1/2"	65mm
C-XX-075D	75mm	3"	75mm
C-XX-100D	100mm	4"	100mm
C-XX-125D	125mm	5"	125mm
C-XX-150D	150mm	6"	150mm

TYPE E

Male Camlock x Hose Tail available in the below materials, substitute XX with:

- AL** = Aluminium
- BJ** = BANJO® Brand
- BZ** = Brass
- NY** = Nyglass
- PP** = Polypropylene
- SS** = Stainless Steel 316
- WAC** = WAM® Brand



P/N	SIZE NOM.	SIZE NOM.	HOSE ID
C-XX-012E	12mm	1/2"	12mm
C-XX-020E	20mm	3/4"	20mm
C-XX-025E	25mm	1"	25mm
C-XX-032E	32mm	1-1/4"	32mm
C-XX-038E	38mm	1-1/2"	38mm
C-XX-050E	50mm	2"	50mm
C-XX-065E	65mm	2-1/2"	65mm
C-XX-075E	75mm	3"	75mm
C-XX-100E	100mm	4"	100mm
C-XX-125E	125mm	5"	125mm
C-XX-150E	150mm	6"	150mm

TYPE F

Male Camlock x Male BSP Thread available in the below materials, substitute XX with:

- AL** = Aluminium
- BJ** = BANJO® Brand
- BZ** = Brass
- NY** = Nyglass
- PP** = Polypropylene
- SS** = Stainless Steel 316
- WAC** = WAM® Brand



P/N	SIZE NOM.	SIZE NOM.	HOSE ID
C-XX-012F	12mm	1/2"	12mm
C-XX-020F	20mm	3/4"	20mm
C-XX-025F	25mm	1"	25mm
C-XX-032F	32mm	1-1/4"	32mm
C-XX-038F	38mm	1-1/2"	38mm
C-XX-050F	50mm	2"	50mm
C-XX-065F	65mm	2-1/2"	65mm
C-XX-075F	75mm	3"	75mm
C-XX-100F	100mm	4"	100mm
C-XX-125F	125mm	5"	125mm
C-XX-150F	150mm	6"	150mm

CAMLOCKS



TYPE DC

Camlock Dust Cap available in the below materials, substitute XX with:

- AL** = Aluminium
- BJ** = BANJO® Brand
- BZ** = Brass
- NY** = Nyglass
- PP** = Polypropylene
- SS** = Stainless Steel 316
- WAC** = WAM® Brand



* Lockable version also available
C-XX-XXDCL



P/N	SIZE NOM.	SIZE NOM.	HOSE ID
C-XX-012DC	12mm	1/2"	12mm
C-XX-020DC	20mm	3/4"	20mm
C-XX-025DC	25mm	1"	25mm
C-XX-032DC	32mm	1-1/4"	32mm
C-XX-038DC	38mm	1-1/2"	38mm
C-XX-050DC	50mm	2"	50mm
C-XX-065DC	65mm	2-1/2"	65mm
C-XX-075DC	75mm	3"	75mm
C-XX-100DC	100mm	4"	100mm
C-XX-125DC	125mm	5"	125mm
C-XX-150DC	150mm	6"	150mm

TYPE DP

Camlock Dust Plug available in the below materials, substitute XX with:

- AL** = Aluminium
- BJ** = BANJO® Brand
- BZ** = Brass
- NY** = Nyglass
- PP** = Polypropylene
- SS** = Stainless Steel 316
- WAC** = WAM® Brand



P/N	SIZE NOM.	SIZE NOM.	HOSE ID
C-XX-012DP	12mm	1/2"	12mm
C-XX-020DP	20mm	3/4"	20mm
C-XX-025DP	25mm	1"	25mm
C-XX-032DP	32mm	1-1/4"	32mm
C-XX-038DP	38mm	1-1/2"	38mm
C-XX-050DP	50mm	2"	50mm
C-XX-065DP	65mm	2-1/2"	65mm
C-XX-075DP	75mm	3"	75mm
C-XX-100DP	100mm	4"	100mm
C-XX-125DP	125mm	5"	125mm
C-XX-150DP	150mm	6"	150mm

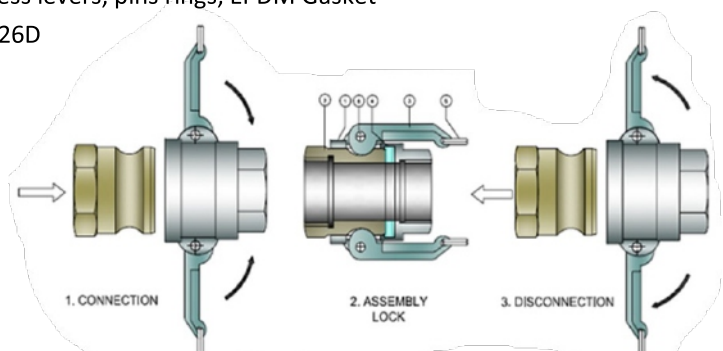
Material Technical Specifications:

- Aluminium Camlocks - Gravity cast aluminium , Brass levers, A-A 59326D
- Stainless Steel Camlocks - Machined 316 grade body, Stainless levers, A-A 59326D
- Brass Camlocks - Forged Brass, Brass Levers, A-A 59326D
- Poly Camlocks - Black Polypropylene body, Stainless levers
- Banjo Camlocks - Glass reinforced Polypropylene, Stainless levers, pins, rings
- Nyglass Camlocks - Fibreglass reinforced Nylon body, stainless levers, pins rings, EPDM Gasket
- Standard Camlock Gaskets - Black NBR compound, A-A 59326D

* Camlock specifications conform to US Federal standard A-A-59326

Pressure Rating Guide:

SIZE	AL, SS, & BR	PP, NY, & BJ
3/4" - 1"	250 PSI	125 PSI
1-1/4" - 2"	250 PSI	100 PSI
2-1/2" - 4"	150 PSI	50 PSI
5" - 6"	75 PSI	N/A





INSTA-LOCK™ IL

Continental ContiTech Proprietary INSTA-LOCK™ design Camlocks with safety self-locking arms available in:

ALIL = Aluminium

SSIL = Stainless Steel

Add Suffix for type:

C = Type C

D = Type D

E = Type E

DC = Type DC

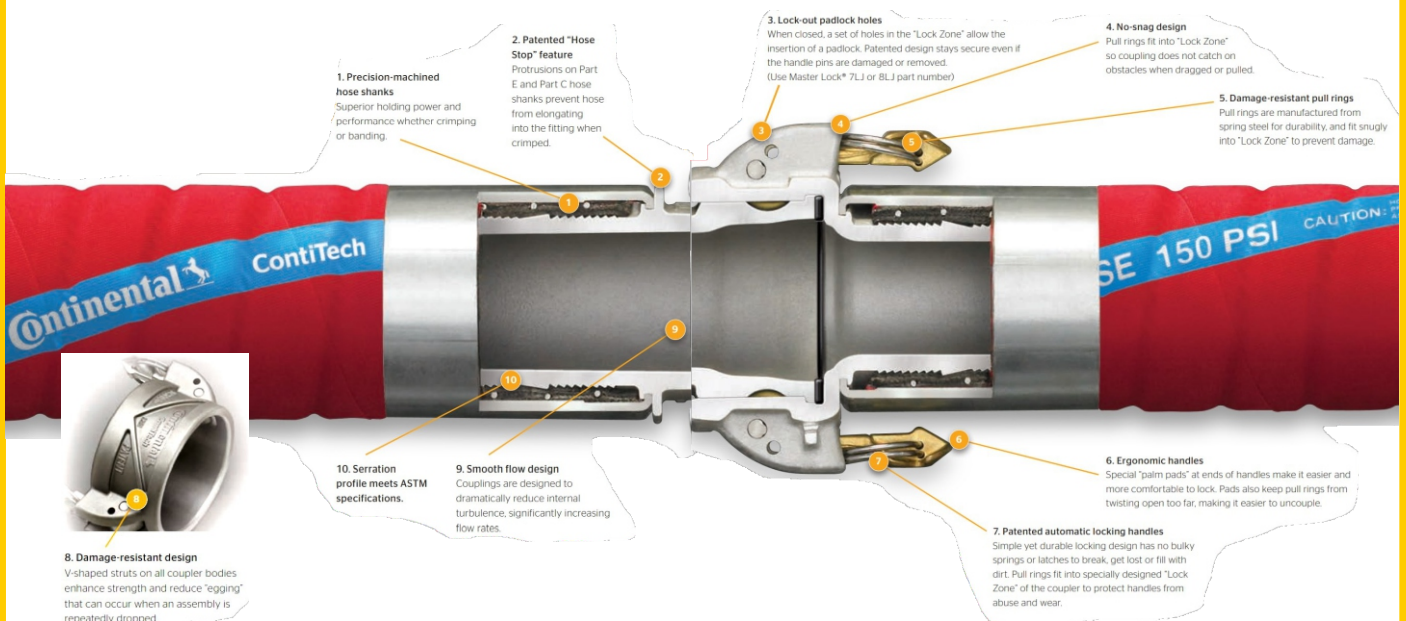


P/N	SIZE NOM.	SIZE NOM.	HOSE ID
C-XXIL-012X	12mm	1/2"	12mm
C-XXIL-020X	20mm	3/4"	20mm
C-XXIL-025X	25mm	1"	25mm
C-XXIL-032X	32mm	1-1/4"	32mm
C-XXIL-038X	38mm	1-1/2"	38mm
C-XXIL-050X	50mm	2"	50mm
C-XXIL-065X	65mm	2-1/2"	65mm
C-XXIL-075X	75mm	3"	75mm
C-XXIL-100X	100mm	4"	100mm
C-XXIL-125X	125mm	5"	125mm
C-XXIL-150X	150mm	6"	150mm



* Stainless Steel Slotted ferrules available as a complete crimp system

Insta-Lock™ Technical Specifications - 10 Points of superiority!





CAMLOCKS

For Assistance please contact Michael: 0488 917 285 or
michael@irrigationdirect.com.au

