



# Pump Accessories

**Pressure Switches**

**Pressure Tanks**

**Constant Pressure Control Units**

**Pump Protection Equipment**

**Level Control Switches**

**Float Switches**

**Flow Switches**

**Bore Pump Accessories**

**Level Probes**

**Pressure Gauges**

**Kelco Controls**

**Capacitors**

**Pump Buckets**





**PRESSURE TANKS / VESSELS**

**Tanks / Pressure Vessels**

**Pressure Wave / Max & Ultra Max Series**

- PWL tanks have a BUTYL diaphragm and polypropylene liner
- V denotes vertical tank base-mounted, H denotes horizontal tank base-mounted
- Maximum operating temperature 90°C
- 5 year warranty



Product Code: GWPT

Model	Connection Size	Bar Rated	Tank Size Litres
Pressure Wave Series - rated 10 bar			
PWL 2	25mm Male	10 Bar	
PWL 8	25mm Male	10 Bar	
PWL 18	25mm Male	10 Bar	18
PWL 20H	25mm Male	10 Bar	20
PWL 35	25mm Male	10 Bar	35
PWB 60V-10	25mm Female	10 Bar	60
PWB 80V-10	25mm Female	10 Bar	80
PWB 100V-10	25mm Female	10 Bar	100
PWB 150V-10	25mm Female	10 Bar	150
Max Series - rated 16 bar			
PWL 8-16	25mm Male	16 Bar	
PWL 18-16	25mm Male	16 Bar	18
PWL 24-16	25mm Male	16 Bar	24
PWL 60V-16	25mm Female	16 Bar	60
PWL 80V-16	25mm Female	16 Bar	80
Ultra Max Series - rated 25 bar			
PWL 24-25	25mm Male	25 Bar	24
PWL 100V-25	25mm Female	25 Bar	100





**PRESSURE TANK SERIES**



**Challenger Series**

- C denotes double-diaphragm base-mounted
- Maximum operating temperature 90°C
- 5 year warranty

Product Code: GWPT			
Model	Connection Size	Bar Rated	Tank Size Litres
C200	32mm Female	10 Bar	167
C240	32mm Female	10 Bar	235
C310	32mm Female	10 Bar	307
C450	32mm Female	10 Bar	452



**C2 Lite Composite Series**

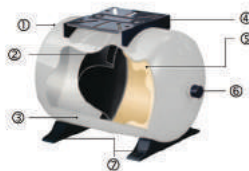
- Light weight composite construction - - Maximum operating temperature 49°C
- 100% BUTYL diaphragm material - - 5 year warranty
- Base mounted

Product Code: GWPT			
Model	Connection Size	Bar Rated	Tank Size Litres
C2B-60	25mm Male	8.6 Bar	60
C2B-80	25mm Male	8.6 Bar	80
C2B-100	25mm Male	8.6 Bar	100
C2B-130	25mm Male	8.6 Bar	130
C2B-200	32mm Male	8.6 Bar	200
C2B-300	32mm Male	8.6 Bar	300
C2B-450	32mm Male	8.6 Bar	450

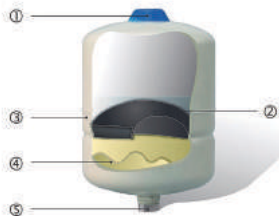
*All weather tanks are also available on request.*



**PRESSURE TANKS**



- ① Leak free, o-ring sealed air valve cap
- ② Single diaphragm design
- ③ Two part polyurethane, epoxy primed paint finish
- ④ Nylon Plastic Pump Stand
- ⑤ Virgin polypropylene liner
- ⑥ Patented stainless steel water connection
- ⑦ Plastic Tank Feet



- ① Leak free, o-ring sealed air valve cap
- ② Single diaphragm design
- ③ Two part polyurethane, epoxy primed paint finish
- ④ Virgin polypropylene liner
- ⑤ Patented stainless steel water connection



**GWS PRESSUREWAVE™ VERTICAL PRESSURE TANK**

Part No	Size	Pressure Port	Orientation
PWB-8LX	8Litre	10 bar	1”BSPM Vertical
PWB-18LX	18Litre	10 bar	1”BSPM Vertical
PWB-60LV	60Litre	10 bar	1”BSPM Vertical
PWB-80LV	80Litre	10 bar	1”BSPM Vertical
PWB-100LV	100Litre	10 bar	1”BSPM Vertical

- Stainless Steel connection
- Max Working Pressure 10 bar
- Tank Precharge 1.9 bar/28psi
- FDA approved Butyl Diaphragm
- Max Working Temperature 90 °C
- Various Approvals Incl Watermark
- Quality tested during production

**GWS PRESSUREWAVE™ HORIZONTAL PRESSURE TANK**

Part No	Size	Pressure Port	Orientation
PWB-35LH	35Litre	10 bar	1”BSPM Horizontal
PWB-60LH	60Litre	10 bar	1”BSPM Horizontal

- Stainless Steel connection
- Max Working Pressure 10 bar
- Tank Precharge 1.9 bar/28psi
- FDA approved Butyl Diaphragm
- Max Working Temperature 90 °C
- Various Approvals Incl Watermark
- Quality tested during production

**GWS MAX™ & ULTRAMAX™ VERTICAL HIGH PRESSURE TANK**

Part No	Size	Pressure Port	Orientation
MXB-8LX	8Litre	16 bar	1”BSPM Vertical
MXB-18LX	18Litre	16 bar	1”BSPM Vertical
UMB-8LX	8Litre	25 bar	1”BSPM Vertical
UMB-24LX	24Litre	25 bar	1”BSPM Vertical

- Stainless Steel connection
- Max Working Pressure 16/25 bar
- Precharge 4 bar/58psi
- FDA approved Butyl Diaphragm
- Max Working Temperature 90 °C
- Various Approvals Incl Watermark
- Quality tested during production







**FRANKLIN PRESSURE SWITCHES / TRANSDUCERS**

**Accessories – to suit MH pumps**

Code: MHACC



Description	ORDER No.
-------------	-----------

**Pressure Switch**

Telemecanique XMPA12C2142 Pressure Switch – 1/4" BSP thread	305 701 233
-------------------------------------------------------------	-------------

Telemecanique XMPA12C2142 Pressure Switch, supplied fitted with 2 x IP67 male and female plug leads to suit FE MH series pumps – 1/4" BSP thread	305 701 254
--------------------------------------------------------------------------------------------------------------------------------------------------	-------------



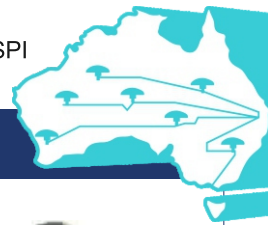
**PRESSURE TRANSDUCER**

Part No	Size
XMLK-06	6 Bar
XMLK-10	10 Bar
XMLK-16	16 Bar
XMLK-25	25 Bar

- Genuine Telemecanique
- Output Signal: Analogue 4-20mA
- ¼ BSPM Connection
- Maximum Temperature 80° C



Part No	Size
XMLK-CON	DIN43650-A Connector



## SQUARE D - PRESSURE SWITCHES

### SQD-FSG2

- Pressure range: 20-65 psi
- Mount 1/4" BSPF
- Factory setting: 20-40 psi
- Plastic Base

## SQUARE D PRESSURE SWITCH

### Part No

### SQD-STD

- Pressure range: 20-65 psi
- Mount 1/4" BSPF
- Factory setting: 20-40 psi

## SQUARE D HIGH PRESSURE SWITCH

### Part No

### SQD-HP

- Pressure range: 25-80 psi
- Mount 1/4" BSPF
- Factory setting: 30-50 psi

## SQUARE D HIGH PRESSURE SWITCH

### Part No

### SQD-FYG32

- Pressure range: 80-150 psi
- Mount 1/4" BSPF
- Factory setting: 115-150 psi
- Plastic Base

## SQUARE D HIGH PRESSURE SWITCH FIXED DIFFERENTIAL

### Part No

### SQD-FHG

- Pressure range: 43-110 psi
- Fixed differential 17 psi
- Factory setting: 83-100 psi
- Mount 1/4" BSPF

## SQUARE D LOSS OF PRIME PRESSURE SWITCH

### Part No

### SQD-LOP

- Pressure range: 20-65 psi
- With low pressure cut out lever
- Factory setting: 20-40 psi
- Mount 1/4" BSPF

## SQUARE D LOSS OF PRIME PRESSURE SWITCH

### Part No

### SQD-HPLOP

- Pressure range: 25-80 psi
- With low pressure cut out lever
- Factory setting: 30-50 psi
- Mount 1/4" BSPF

## SQUARE D REVERSE ACTION PRESSURE SWITCH

### Part No

### SQD-RA

- Pressure range: 23-65 psi
- Mount 1/4" BSPF
- Factory setting: 40-20 psi





**SQUARE D - TELEMECANIQUE PRESSURE SWITCHES**



**SQUARE D REVERSE ACTION LOSS OF PRIME PRESSURE SWITCH**

**Part No**

SQD-RAL

- Pressure range: 23-65 psi
- Factory setting: 40-20 psi
- With manual cut in lever
- Mount 1/4" BSPF



**SQUARE D HEAVY DUTY PRESSURE SWITCH**

**Part No**

SQD-GHG

- Pressure range: 60-200 psi
- Factory setting: 80-100 psi
- Mount 1/4" BSPF
- Heavy duty construction



**SQUARE D HEAVY DUTY REVERSE ACTION PRESSURE SWITCH**

**Part No**

SQD-GHG-RA

- Pressure range: 200-60 psi
- Factory setting: off 80- on 100 psi
- Mount 1/4" BSPF
- Heavy duty construction



**TELEMECANIQUE PRESSURE SWITCH**

**Part No**

XMP-06

- Genuine Telemecanique
- Pressure range: 15-87psi
- Mount 1/4" BSPF
- Factory setting: High point - 4.8 BAR +/- 0.24 Low point - 2.8 BAR +/- 0.28



**TELEMECANIQUE PRESSURE SWITCH**

**Part No**

XMP-12

- Genuine Telemecanique
- Pressure range: 18-174 psi
- Mount 1/4" BSPF
- IP 54
- Factory setting: High point - 8 BAR +/- 0.50 Low point - 5 BAR +/- 0.50



**TELEMECANIQUE PRESSURE SWITCH**

**Part No**

XMA-12

- Pressure range: 18-174 psi
- Mount 1/4" BSPF
- IP54
- Clear case, setting display
- Factory setting: High point - 8.5 BAR +/- 0.50 Low point - 2 BAR +/- 0.50
- Fine adjustment



**TELEMECANIQUE PRESSURE SWITCH**

**Part No**

XMP-12-3PH

- Genuine Telemecanique
- Pressure range: 18-174 psi
- Suitable for 415V
- Mount 1/4" BSPF
- Factory setting: High point - 8 BAR +/- 0.50 Low point - 5 BAR +/- 0.50



**TELEMECANIQUE - CONDOR - PRESSURE SWITCHES**

**TELEMECANIQUE PRESSURE SWITCH**

**Part No**

XMPD-12-3PH

- Pressure range: 18-174 psi
- Suitable air compressor
- Inbuilt relief
- Push fit relief connection
- 1/4" ports
- 3 Phase/3 Pole



**TELEMECANIQUE PRESSURE SWITCH**

**Part No**

XMP-25

- Genuine Telemecanique
- Pressure range: 50-362 psi
- Mount 1/4" BSPF
- Factory setting:  
High point - 16 BAR +/- 0.80  
Low point - 10 BAR +/- 1.0



**CONTROL PRESSURE SWITCH**

**Part No**

PS1-A6R

- Pressure range: 60-175 psi
- IP44
- Mount: 1/4" BSPM
- -50 to 70°C
- Visual pressure setting
- Easy fine adjustment
- Adjustable differential down to 8psi
- Robust plastic case



**CONTROL PRESSURE SWITCH**

**Part No**

P77-9300

P77-BSPM Connector

- Pressure range: 7.25-101.5 psi
- IP44
- Mount: 1/4" BSPM
- -50°C to 70°C
- Visual pressure setting
- Easy fine adjustment
- Adjustable differential down to 8psi
- Robust aluminium case



**MDR1 CONDOR PRESSURE SWITCHES**

**Part No Description**

MDR1/6B4	170-500 kPa range, adjustable diff, 1/4" conn
MDR1/11S4	600-1000 kPa range, adjustable diff, 1/4" conn, on/off switch



**MDR2 CONDOR PRESSURE SWITCHES**

**Part No Description**

MDR2/6B4	140-500 kPa range, adjustable diff, 1/4" conn
MDR2/11S4	800-1000 kPa range, adjustable diff, 1/4" x 4 ports, on/off switch





**CONDOR - PRESSURE SWITCHES**

**MDR3 CONDOR PRESSURE SWITCHES**

**Part No Description**

MDR3/6S8	130-600 kPa range, adjustable diff., 1/2" conn, on/off switch
MDR3/11S4	400-1100 kPa range, adjustable diff., 1/4" conn, on/off switch
MDR3/16S4	600-1600 kPa range, adjustable diff., 1/4" conn, on/off switch
MDR3/6B8	130-600 kPa range, adjustable diff., 1/2" conn
MDR3/11B4	400-1100 kPa range, adjustable diff., 1/4" conn
MDR3/16B4	600-1600 kPa range, adjustable diff., 1/4" conn
MDR3/25B8	750-2500 kPa range, adjustable diff., 1/2" conn
MDR3/35B8	1200-3500 kPa range, adjustable diff., 1/2" conn

**MDR3 ACCESSORIES**

**Part No Description**

H3/230V	Hourmeter & cover for MDR3 - 230V operation
H3/400V	Hourmeter & cover for MDR3 - 400V operation
H3/230VS	Hourmeter & cover for MDR3 - 230V operation w. on/off sw.
H3/400VS	Hourmeter & cover for MDR3 - 400V operation w. on/off sw.
MDR3/MB	MDR3 mounting bracket
R3/1.0	Overload relay, 0.63-1.00 Amps
R3/1.6	Overload relay, 1.00-1.60 Amps
R3/2.5	Overload relay, 1.60-2.50 Amps
R3/4.0	Overload relay, 2.50-4.00 Amps
R3/6.3	Overload relay, 4.00-6.30 Amps
R3/10.0	Overload relay, 6.30-10.00 Amps
R3/16.0	Overload relay, 10.00-16.00 Amps
R3/20.0	Overload relay, 16.00-20.00 Amps
R3/24.00	Overload relay, 20.00-24.00 Amps
R3/30/2	2 pole relay, 24.00-30.00 Amps
CG11-3	Cable gland complete
CG13.5-3	Cable gland complete
CG16-3	Cable gland complete
EV-3I	Unloader valve suit 1/4" Plastic/copper line

**MDR4 CONDOR PRESSURE SWITCHES**

**Part No Description**

MDR4/6S4	150-600 kPa range, on/off switch, 1/4" conn.
MDR4/11S4	400-1100 kPa range, on/off switch, 1/4" conn.
MDR4/16S4	600-1600 kPa range, on/off switch, 1/4" conn.
MDR4/25S4	850-2500 kPa range, on/off switch, 1/4" conn.
MDR4/6T4	150-600 kPa range, transp. cover & scale, 1/4" conn
MDR4/11T4	400-1100 kPa range, transp. cover & scale, 1/4" conn
MDR4/6R8	150-600 kPa range, reverse action 1/4 " conn.
MDR4/11R8	400-1100 kPa range, reverse action 1/4 " conn.
MDR4/16R8	600-1600 kPa range, reverse action 1/4 " conn.

**MDR4 ACCESSORIES**

**Part No Description**

CG11-4	Cable gland complete
CG13.5-4	Cable gland complete
CG13.5-4Z	Cable gland with strain relief
MDR4/43/MB	Mounting bracket
EV-4I	Unloader valve suit 1/4" Plastic/copper line







**CONDOR - PRESSURE SWITCHES**

**Part No Description**

MDR5/5S8	150-500 kPa, on/off switch, 1/2" Conn.
MDR5/8S8	200-800 Kpa, on/off switch, 1/2" Conn.
MDR5/11S8	200-1100 kPa, on/off switch, 1/2" Conn.
MDR5/16S8	250-1600 kPa, on/off switch, 1/2"Conn.
MDR5/45S8	1308-4500 kPa, on/off switch, 1/2" Conn.

**MDR5 ACCESSORIES**

**Part No Description**

CG16-5	Cable gland complete
CG16-5R	Red gland with strain relief
MDR5/MB	Mounting bracket
R5/1.5	Overload relay
R5/2.45	Overload relay
R5/4.2	Overload relay
R5/7.0	Overload relay
R5/10.3	Overload relay
R5/14.0	Overload relay
R5/18.0	Overload relay
EV-5EI	Unloader valve suit 1/4" Plastic/copper line

**MDR-F CONDOR PRESSURE SWITCHES**

**Part No Description**

MDRF/4A6	MDR-F 4HV-S 22-400 kPa range, Alum. Base, viton diaph, adjustable diff, 3/8" conn
MDRF/8A6	MDR-F 8H P/Switch, 20-800 kPa, alum. base, buna diaph., 3/8"
MDRF/8P6	MDR-F 8Y P/Switch, 20-800 kPa, poly base, buna diaph., 3/8"
MDRF/10P6	MDR-F 10YS 70-1000 kPa range, poly base, buna diaph, adjustable diff, 3/8" conn
MDRF/12SS4	MDR-F 12HE P/Switch, 50-1200 kPa, stainless base/diaph., 1/4"

**MDR43 CONDOR PRESSURE SWITCHES**

**Part No Description**

MDR43/3T4	50-308 kPa range, 1/4" conn.
MDR43/6T4	250-600 kPa range, 1/4" conn.
MDR43/11T4	500-1100 kPa range, 1/4" conn.
MDR43/16T4	800-1600 kPa, 1/4" conn.

**MDR43 ACCESSORIES**

**Part No Description**

CG11-4	Cable gland
CG13.5-4	Cable gland
CG13.5-4Z	Cable gland with strain relief
MDR4/43/MB	Mounting bracket







**KELCO CONTROLS**

**Flow Switches / Controllers**

**Kelco Flow Switches**



- F60 MK2 fully functioned pump controller - - Can be used on single-phase or three-phase pumps provided a 220~240V supply is available
- 15 built in programmable timers
- 1" BSP connection
- 1 year warranty
- A dedicated 12VDC model is also available—POA

Product Code: AKMS	
Flow Switches	Part No
Kelco Flow Switch UB25R 25mm	AKMS50232
Kelco Flow Switch F-H-25B	AKMS50204
Kelco Flow Switch F-H-25B-SS	AKMS50207
Kelco Flow Switch F29S	AKMS50212

Product Code: AKMS	
Flow Switches	Part No
Kelco Pump Controller F60	AKMS50199
Kelco E30 Digital Pressure Switch	AKMS50245



**KELCO FLOW/LEVEL SWITCHES**



Model No.	Description	Order No.
<b>Flow Switches</b>		
C25	Inline Flow Switch C25-B-A-R-BSP, 1"BSPT	226 014 101
F-H-25B		305 701
C15-B	Flow Switch C15-B	305 701 349

<b>Paddle Flow Switches</b>		
Heavy Duty Modular 3/4" BSP corrosion resistant paddle flow switch in Polypropylene		
F20-S	15 Amp 0-500V SPDT All Polypropylene Flow Switch	305 701 146
F20P	Spare Paddle to suit F20 Flow Switch	305 701 147



<b>Programmable Flow Switch</b>		
F29 Programmable Flow Switch feature multi voltage operation, 10 programmable built in timers, 40 amp solid state drive, 30 amp primary pump replay, dedicated 16 amp alarm replay, suits 1" and larger piping, IP67 rated. 1" BSP connection. 12 VDC available on request.		
F29-S	220-240/24VAC or DC model, Thermoplastic	305 701 371
F29-SS	220-240/24VAC or DC model, 316 Stainless	305 701 371 44



<b>Digital Pressure Switch</b>		
F30 feature a multi voltage operation, displays Pressure and sets points, displays running time, 40 Amp solid state drive, 30 amp primary pump relay, dedicated 16 amp alarm relay, can be wall mounted and IP67 rated. Low volatge 12DC available on request		
E30	Std 220-240VAC or 24VAC or 24VDC operation	305 701 372



<b>Pump Controller</b>		
The F60 Pump Controller features multi voltage operation, displays pressure and sets points, 11 programmable built in timers, 40 amp solid state drive, 15 amp primary pump relay, dedicated 16 amp alarm relay, suits pipe 1" and larger, IP67 rated. 1"BSP connection. 12VDC available on request		
F60	Std 220-240 VAC and 24AC or 24VDC.	305 701 351

<b>Level Switch</b>		
D50 Heavy Duty Level Switch. High and Low floatless level control for tanks and pumps. 20 Amp, 500 V S.P.D.T switch. No metal parts in contact with liquids. IP67 enclosure.		
D50	20 Amp Level Switch	305 701 543



**FLOW SWITCHES**



**KELCO F21 FLOW SWITCH**

Part No	Pres	Temp
F21-S-BSP (Poly)	18 Bar	60 °C

- Heavy duty and sensitive
- Up to 500V
- Maximum current 15 Amp
- IP67 Protection rating
- 1" BSPT



**KELCO TW FLOW SWITCH**

Part No	Pres	Temp
TW21-S-BSP-180 (Poly)	18 Bar	60 °C

- Heavy duty and sensitive
- Suitable for open flow & slurry applications
- Up to 500V
- Maximum current 15 Amp
- IP67 Protection rating
- 1" BSPT



**KELCO F29 FLOW SWITCH**

Part No	Pres	Temp
F29-Mk2	18 Bar	60 °C

- Simple to program
- 10 programmable timers
- 40 Amp solid state switch
- Suits pipes 25mm & larger
- Paddle Type
- Multi voltage operation
- 16 Amp alarm relay
- Accepts remote input
- Weatherproof housing



**KELCO F60 DIGITAL PUMP CONTROLLER**

Part No	Pres	Temp
F60-Mk2	20 Bar	60 °C

- Simple to program
- Displays pressure & set points
- 40 Amp solid state switch
- Suits pipes 25mm & larger
- Weatherproof housing
- Multi voltage operation
- 15 programmable timers
- 16 Amp alarm relay
- Accepts remote input
- Paddle



**KELCO C25 FLOW SWITCH**

Part No	Pres	Temp
C25-R (Brass)	100 Bar	90 °C

- One piece Brass body
- All position mounting
- 240V
- Maximum current 20 Amp
- IP67 Protection rating
- 1" BSPT
- Solid state relay
- Normally open contacts



**FLOW SWITCHES**

**FLOW SWITCH**

**Part No**

FS-2-BSPT

- Bellow: Tin-bronze
- Vane: Stainless steel
- Body: Forged brass
- Temperature Limit: 230°F (110°C)
- Pressure Limit: 145 psig (10 bar)
- Enclosure Rating: NEMA 4 (IP64)
- Switch Type: SPDT snap switch
- Electrical Rating: 10A res, 3A ind @ 250 VAC



**FLOW SWITCH**

**Part No**

H10AR

- European Quality
- 25mm BSP thread
- For use in 25mm to 100mm pipe
- Minimum flow: 20 l/min
- Max pressure: 10 Bar
- Max Temperature: 100°C
- Current: 10 (4) Amps
- Delayed pump start: 0-13 sec

This unit has a relay built-in which allows power to the pump on start up and disengages after a set time which is adjustable from 0-13 seconds. This means the pump will always re-start when the power is turned off then on such as where a pressure switch is wired into the circuit.



**FLOW SWITCH**

**Part No**

V10AR

- European Quality
- 25mm BSP thread
- Minimum flow: 5 l/min
- Max pressure: 10 Bar
- Max Temperature: 85°C
- Current: 10 (4) Amps
- Delayed pump start: 0-13 sec

This unit has a relay built-in which allows power to the pump on start up and disengages after a set time which is adjustable from 0-13 seconds. This means the pump will always re-start when the power is turned off then on such as where a pressure switch is wired into the circuit.





## FLOAT SWITCHES

## Float Switches - Heavy Duty Kelco High Differential



### K SERIES

Polypropylene and Hypalon Ultra close differential 3 wire float switches  
Ideal for all single point level control, ideal for low and high level alarms

Model No	Description	Order No
K4M	10 amp resistive 0-240V SPDT Float switch with 4 metre Hypalon cable	305 701 385
K6M	10 amp resistive 0-240V SPDT Float switch with 6 metre Hypalon cable	305 701 386
K10M	10 amp resistive 0-240V SPDT Float switch with 10 metre Hypalon cable	305 701 387
K20M	10 amp resistive 0-240V SPDT Float switch with 20 metre Hypalon cable	305 701 389
K30M	10 amp resistive 0-240V SPDT Float switch with 30 metre Hypalon cable	305 701 390
K50M	10 amp resistive 0-240V SPDT Float switch with 50 metre Hypalon cable	305 701 391
KCW	Polpropylene split style cable weight for K float series	305 701 392
INSTRUMENT TAG	Custom Numbered stainless steel instrument tag	305 701 393



### Q SERIES

Very tough polypropylene float switch with hypalon rubber clad 3 core cable for pump in and pump out applications

Model No	Description	Order No
Q4M	21 amp resistive 0-240V SPDT Float switch with 4 metre Hypalon cable	305 701 396
Q6M	21 amp resistive 0-240V SPDT Float switch with 6 metre Hypalon cable	305 701 397
Q10M	21 amp resistive 0-240V SPDT Float switch with 10 metre Hypalon cable	305 701 398
Q15M	21 amp resistive 0-240V SPDT Float switch with 15 metre Hypalon cable	305 701 399
Q20M	21 amp resistive 0-240V SPDT Float switch with 20 metre Hypalon cable	305 701 400
Q30M	21 amp resistive 0-240V SPDT Float switch with 30 metre Hypalon cable	305 701 401
Q50M	21 amp resistive 0-240V SPDT Float switch with 50 metre Hypalon cable	305 701 402
QCW	Polpropylene split style cable weight for Q float series	305 701 404
INSTRUMENT TAG	Custom Numbered stainless steel instrument tag	305 701 393



**LEVEL CONTROL SWITCHES**



**ACEQUIP FLOAT SWITCHES**

Part No	Size
FS-5M	5m PVC Cable
FS-10M	10m PVC Cable
FS-20M	20m PVC Cable
FS-30M	30m PVC Cable
FS-50M	50m PVC Cable
FSN-10M	10m Neoprene Cable
FSN-20M	20m Neoprene Cable
FSPB-10M	10m PVC Cable 'Piggy Back' plug fitted Specify tank fill (TF) or tank empty (TE)

- Suitable for up to 250V AC
- Max Current 8AMP
- 3 wire for tank emptying or filling
- High quality construction
- Weight included
- Bulk discount: Less 10% for 10+ units (Can be mixed qty)
- Add \$92.00 for 'Piggy Back' plug fitted to any float switch



9010-10	10m Neoprene Cable
9010-20	20m Neoprene Cable
9010-30	30m Neoprene Cable

- Cable: Neoprene
- Housing: ABS
- Max Voltage: 250Vac
- Max Current: 6 AMP
- Temperature range: 0-60° C
- Protection: IP68 @ 20m
- For Sewerage Applications



**HEAVY DUTY FLOAT SWITCHES**

Part No	Size
SJE20A-10M	10m CPE Rubber

- Suitable for up to 240V AC
- Max Current 20 AMP
- High quality construction
- Made in USA
- 2.2kw Max at 240V AC
- IP 68 Rated
- No weight included - cable clamp included





**LEVEL CONTROL SWITCHES**

**Mac3 FLOAT SWITCHES**

Part No	Size
Mac3-5m	5m PVC Cable
Mac3-10m	10m PVC Cable
Mac3-25m	25m PVC Cable
Mac3N-10m	10m Neoprene Cable

- Suitable for up to 250V
- Maximum current 8AMP
- 3 wire for tank emptying or filling
- Genuine European product
- Weight included



Part No	Size
Key-10m	10m PVC Cable

- Suitable for up to 250V
- Maximum current 8AMP
- 3 wire for tank emptying or filling
- Genuine European product
- Weight included



Part No	Size
Small-5m	5m Neoprene Cable

- Suitable for up to 250V
- Maximum current 8AMP
- 3 wire for tank emptying or filling
- Genuine European product
- Weight included



Part No	Size
EFLY-10M A	10m Neoprene Cable
EFLY-20M A	20m Neoprene Cable

- Heavy duty double liquid proof chamber construction ATEX Approved
- Suitable for dirty water & sewage
- Suitable for up to 250V
- Maximum current 10AMP
- Maximum 50° C operating temperature
- IP68 Protection rating
- Genuine European product





**LEVEL CONTROL SWITCHES**



**MAC 3 VERTICAL FLOAT SWITCH**

**Part No**

Agma22	Fixed column type- 2 wire
AgmaW-2	Adj /bell type- 2 wire
AgmaW	Adj /bell type- 5m Neop cable- 3 wire

- Plastic construction
- Shallow pit applications
- 240V 8 Amps



M3PK-Z8	Kit
Mac3-Probe	Probe only

- Includes relay, rail mount and 3 probes
- 240V
- Maximum current 5 Amps
- IP20 Protection rating



**TRIPLE ELECTRODE HOLDER**

**Part No**

TEH -3R
---------

- Robust plastic construction
- Includes electrode separator



**ELECTRODE RODS**

Part No	Length
ER-1M	1000mm

- 304 stainless steel
- M6 thread both ends
- Suits electrode holder



**ELECTRODE ADAPTOR**

**Part No**

EA-M6
-------

- 304 stainless steel
- M6 thread
- For joining electrode rods



**LEVEL CONTROL SWITCHES**

**TOP MOUNT FLOAT SWITCH**

**Part No**

TMFS-240

- 240 Volt
- 7.5 Amp rated
- Heavy duty switch action
- Solid plastic construction
- Suitable for above tank mounting
- Adjustable control range of up to 5 metres



**FS5 FLOAT SWITCH**

**Part No**

FS-5

- 240 Volt - up to 1.5kw
- Heavy duty cast alloy construction
- Suitable for above tank mounting
- Adjustable control range



**HORIZONTAL FLOAT SWITCH**

**Part No**

F6-HPS-11 Internal horizontal lever type

- 2 wire
- Max temperature 80°C
- Max pressure 8 bar
- 240 Volt
- 0.08 Amps
- Suitable for Water, oils & chemicals
- M16 thread
- Polypropylene construction



**VERTICAL FLOAT SWITCH**

**Part No**

F7-PP

- 2 wire
- Max temperature 105°C
- Max pressure 6.89 bar
- 240 Volt
- 0.14 Amps
- Broad chemical compatibility
- M16 thread
- Epoxy/Polypropylene construction



FSB-SS-3

FSB-SS-4

- Stainless steel construction
- For mounting up to 3 or 4 float switches
- Glands included



**FLOAT SWITCH FIXING KIT**

**Part No**

FS-FK

- Secure mounting kit for fixing to pipe





**CONSTANT PRESSURE CONTROLLERS**



**PC - 15**

- 240 Volt
- IP65 Protection
- Max Pressure 10 bar
- Solid plastic quality construction
- Max Power 1.1kW
- 10 (6) Amp rated
- Water temperature to 60°C max
- 1" Male inlet & outlet
- Pre-wired plug
- 1.5 Bar Cut-in pressure



**ACEQUIP PUMP CONTROLLER**

**Part No**

**PC - 22**

- 240 Volt
- IP65 Protection
- Max Pressure 10 bar
- Solid plastic quality construction
- Max Power 1.1kW
- 10 (6) Amp rated
- Water temperature to 60°C max
- 1" Male inlet & outlet
- Pre-wired plug
- 2.2 Bar Cut-in pressure



**ACEQUIP AUTO RESTART PUMP CONTROLLER**

**Part No**

**ARPC - 22**

- 240 Volt
- IP65 Protection
- Max Pressure 10 bar
- Solid plastic quality construction
- Max Power 2.2kW
- 30 (16) Amp rated
- Water temperature to 60°C
- 1 1/4" Male inlet & outlet
- Pre-wire plug
- 2.2 Bar Cut-in pressure



**ACEQUIP ADJUSTABLE PUMP CONTROLLER**

**Part No**

**APC - 15**

- 240 Volt
- IP65 Protection
- Max Pressure 10 bar
- Solid plastic quality construction
- 10 (6) Amp rated
- Water temperature to 60°C max
- 1" Male inlet & outlet
- Pre-wired plug
- Inbuilt pressure gauge
- Adjustable cut in pressure



**CONSTANT PRESSURE CONTROLLERS**

**ACEQUIP LOGICPRESS PUMP CONTROLLER**

**Part No**

LP-15

- |                                                                                                                                                                                                                      |                                                                                                                                                                                                |
|----------------------------------------------------------------------------------------------------------------------------------------------------------------------------------------------------------------------|------------------------------------------------------------------------------------------------------------------------------------------------------------------------------------------------|
| <ul style="list-style-type: none"> <li>• Auto restart feature*</li> <li>• Max Pressure: 12 Bar</li> <li>• Replaceable pressure gauge</li> <li>• 240V</li> <li>• IP65 Protection</li> <li>• 1.5 Bar Cut-in</li> </ul> | <ul style="list-style-type: none"> <li>• Max Power: 1.5kW</li> <li>• Max Temp: 65°C</li> <li>• 1" Ports</li> <li>• Genuine European product</li> <li>• Plug &amp; lead not included</li> </ul> |
|----------------------------------------------------------------------------------------------------------------------------------------------------------------------------------------------------------------------|------------------------------------------------------------------------------------------------------------------------------------------------------------------------------------------------|



**ACEQUIP LOGICPRESS PUMP CONTROLLER**

**Part No**

LPS-15

- |                                                                                                                                                                                                                              |                                                                                                                                                                                                    |
|------------------------------------------------------------------------------------------------------------------------------------------------------------------------------------------------------------------------------|----------------------------------------------------------------------------------------------------------------------------------------------------------------------------------------------------|
| <ul style="list-style-type: none"> <li>• Adjustable cut in pressure</li> <li>• Auto restart feature*</li> <li>• Replaceable pressure gauge</li> <li>• 240V</li> <li>• IP65 Protection</li> <li>• Max Power: 1.5kW</li> </ul> | <ul style="list-style-type: none"> <li>• Max Pressure: 12 Bar</li> <li>• Max Temp: 65°C</li> <li>• 1" Ports</li> <li>• Genuine European product</li> <li>• Plug &amp; lead not included</li> </ul> |
|------------------------------------------------------------------------------------------------------------------------------------------------------------------------------------------------------------------------------|----------------------------------------------------------------------------------------------------------------------------------------------------------------------------------------------------|



**ACEQUIP LOGICPRESS PUMP CONTROLLER**

**Part No**

LP-22

- |                                                                                                                                                                                |                                                                                                                                                                      |
|--------------------------------------------------------------------------------------------------------------------------------------------------------------------------------|----------------------------------------------------------------------------------------------------------------------------------------------------------------------|
| <ul style="list-style-type: none"> <li>• Auto restart feature*</li> <li>• Max Pressure: 12 Bar</li> <li>• 240V</li> <li>• IP65 Protection</li> <li>• 2.2 Bar Cut-in</li> </ul> | <ul style="list-style-type: none"> <li>• Max Power: 1.5kW</li> <li>• 1" Ports</li> <li>• Genuine European product</li> <li>• Plug &amp; lead not included</li> </ul> |
|--------------------------------------------------------------------------------------------------------------------------------------------------------------------------------|----------------------------------------------------------------------------------------------------------------------------------------------------------------------|



**ACEQUIP LOGICPRESS PRESSURE GAUGE**

**Part No**

LP-PG      Replaceable pressure gauge



**\* Auto Restart Feature**

The device will make 10 attempts to restart over a 24 hr period each lasting approx 5 seconds to allow the pump to resume normal operation if possible. After the last attempt to restart the pump will remain in alarm mode with the failure light flashing. This can be manually reset once fault has been rectified.

Operator may manually reset the device at any time by pressing the restart button.

If the pump has not been used for 24 consecutive hours the pump will carry out a automatic restart of the pump and run for 5 seconds.

In case of a temporary blackout the device will automatically reset once the power returns.

**Quality  
Europea  
n  
Products**











## LEVEL PROBES



Model No	Description	Order No
LP2W20	Level Probe 2W x 20 metres cw probe 16mm	305 701 740
LP2W30	Level Probe 2W x 30 metres cw probe 16mm	305 701 741
LP2W40	Level Probe 2W x 40 metres cw probe 16mm	305 701 742
LP2W50	Level Probe 2W x 50 metres cw probe 16mm	305 701 743
LP2W60	Level Probe 2W x 60 metres cw probe 16mm	305 701 744
LP2W70	Level Probe 2W x 70 metres cw probe 16mm	305 701 745
LP2W80	Level Probe 2W x 80 metres cw probe 16mm	305 701 746
LP2W90	Level Probe 2W x 90 metres cw probe 16mm	305 701 747
LP2W100	Level Probe 2W x 100 metres cw probe 16mm	305 701 748
LP2W120	Level Probe 2W x 120 metres cw probe 16mm	305 701 749
LP2W140	Level Probe 2W x 140 metres cw probe 16mm	305 701 750
LP2W160	Level Probe 2W x 160 metres cw probe 16mm	305 701 751
LP2W180	Level Probe 2W x 180 metres cw probe 16mm	305 701 752
LP2W200	Level Probe 2W x 200 metres cw probe 16mm	305 701 753

**Notes:**

2 Wire stainless steel conductivity probe 16mm diameter probe  
 Brown/Black wire #8 to centre electrode. Blue wire #1 to outer sheath  
 Probes MUST NOT be subject to high voltage or "Megger" testing

LP2R	Replacement conductivity Relay for 2W level probes. Not compatible with PLC use Not waterproof, must be mounted within panel For use in Franklin panels or Franklin LCP 240V or 415V input, 8-12 vAC output	305 701 754
------	-------------------------------------------------------------------------------------------------------------------------------------------------------------------------------------------------------------------------	-------------

Levels probes can be used single or dual and low level or high level water levels and send signals back to control equipment to start or stop equipment such as pump or valves.

Contact Franklin Electric for your Control Panels that incorporate level control or probe terminals or use our LCP – Level Control Panels.



**MOTOR RUN CAPACITORS**



**MOTOR RUN CAPACITOR - PLASTIC CASE**

Part No	CAP uF	Volts	Terminal
CAP-8.0C	8uF	450v	Cable
CAP-10.0C	10uF	450v	Cable
CAP-12.0C	12uF	450v	Cable
CAP-12.5C	12.5uF	450v	Cable
CAP-14.0C	14uF	450v	Cable
CAP-15.0C	15uF	450v	Cable
CAP-16.0C	16uF	450v	Cable
CAP-20.0C	20uF	450v	Cable
CAP-25.0C	25uF	450v	Cable
CAP-30.0C	30uF	450v	Cable
CAP-31.5C	31.5uF	450v	Cable
CAP-35.0C	35uF	450v	Cable
CAP-40.0C	40uF	450v	Cable
CAP-45.0C	45uF	450v	Cable
CAP-50.0C	50uF	450v	Cable
CAP-60.0C	60uF	450v	Cable
CAP-65.0C	65uF	450v	Cable
CAP-70.0C	70uF	450v	Cable
CAP-75.0C	15uF	450v	Cable
CAP-2.0P	2uF	450v	Pins
CAP-4.0P	4uF	450v	Pins
CAP-5.0P	5uF	450v	Pins
CAP-6.0P	6uF	450v	Pins
CAP-7.0P 7uF	450v	Pins	
CAP-8.0P	8uF	450v	Pins
CAP-9.0P	9uF	450v	Pins
CAP-10.0P	10uF	450v	Pins
CAP-12.0P	12uF	450v	Pins
CAP-12.5P	12.5uF	450v	Pins
CAP-14.0P	14uF	450v	Pins
CAP-15.0P	15uF	450v	Pins
CAP-16.0P	16uF	450v	Pins
CAP-18.0P	18uF	450v	Pins
CAP-20.0P	20uF	450v	Pins
CAP-22.0P	22uF	450v	Pins
CAP-25.0P	25uF	450v	Pins
CAP-30.0P	30uF	450v	Pins
CAP-31.5P	31.5uF	450v	Pins
CAP-35.0P	35uF	450v	Pins
CAP-40.0P	40uF	450v	Pins
CAP-45.0P	45uF	450v	Pins
CAP-50.0P	50uF	450v	Pins
CAP-55.0P	55uF	450v	Pins
CAP-60.0P	60uF	450v	Pins
CAP-70.0P	70uF	450v	Pins
CAP-80.0P	80uF	450v	Pins
CAP-90.0P	90uF	450v	Pins
CAP-100.0P	100uF	450v	Pins





**MOTOR RUN CAPACITORS**

**MOTOR RUN CAPACITOR - ALUMINIUM CASE**

Part No	uf	Voltage	Terminal
CAPAL-12.OP	12uf	450v	Pins
CAPAL-16.OP	16uf	450v	Pins
CAPAL-20.OP	20uf	450v	Pins
CAPAL-25.OP	25uf	450v	Pins
CAPAL-30.OP	30uf	450v	Pins
CAPAL-40.OP	40uf	450v	Pins



**MOTOR RUN CAPACITOR SQUARE**

Part No	uf	Voltage	Terminal
CAP-4.OPSQ	4uf	450V	Pins
CAP-6.OPSQ	6uf	450V	Pins
CAP-8.OPSQ	8uf	450V	Pins
CAP-10.OPSQ	10uf	450V	Pins
CAP-12.OPSQ	12uf	450V	Pins
CAP-16.OPSQ	16uf	450V	Pins



**MOTOR START CAPACITOR**

Part No	uf	Voltage	Terminal
SCAP125-30-36	30-36uF	125V	Pins
SCAP125-43-52	43-52uF	125V	Pins
SCAP125-53-64	53-64uf	125V	Pins
SCAP125-64-77	64-77uF	125V	Pins
SCAP125-72-86	72-86uF	125V	Pins
SCAP125-88-106	88-106uF	125V	Pins
SCAP125-108-130	108-130uF	125V	Pins
SCAP125-124-149	124-149uF	125V	Pins
SCAP125-130-156	130-156uF	125V	Pins
SCAP125-145-174	145-174uF	125V	Pins
SCAP125-161-193	161-193uF	125V	Pins
SCAP125-189-227	189-227uF	125V	Pins
SCAP125-216-260	216-260uF	125V	Pins
SCAP125-233-280	233-280uF	125V	Pins
SCAP125-243-292	243-292uF	125V	Pins
SCAP125-270-324	270-324uF	125V	Pins
SCAP125-324-389	324-389uF	125V	Pins
SCAP125-340-408	340-408uF	125V	Pins
SCAP125-378-454	378-454uF	125V	Pins
SCAP125-400-480	400-480uF	125V	Pins
SCAP125-430-516	430-516uF	125V	Pins





**MOTOR RUN START CAPACITORS**



**MOTOR START CAPACITOR**

<b>Part No</b>	<b>uf</b>	<b>Voltage</b>	<b>Terminal</b>
SCAP250-25-30	25-30uF	250V	Pins
SCAP250-36-43	36-43uF	250V	Pins
SCAP250-47-56	47-56uF	250V	Pins
SCAP250-53-64	53-64uF	250V	Pins
SCAP250-64-77	64-77uF	250V	Pins
SCAP250-72-86	72-86uF	250V	Pins
SCAP250-88-106	88-106uF	250V	Pins
SCAP250-108-130	108-130uF	250V	Pins
SCAP250-124-149	124-149uF	250V	Pins
SCAP250-130-156	130-156uF	250V	Pins
SCAP250-145-174	145-174uF	250V	Pins
SCAP250-161-193	161-193uF	250V	Pins
SCAP250-189-227	189-227uF	250V	Pins
SCAP250-200-240	200-240uF	250V	Pins
SCAP250-216-260	216-260uF	250V	Pins
SCAP250-233-280	233-280uF	250V	Pins
SCAP250-270-324	270-324uF	250V	Pins
SCAP330-30-36	30-36uF	330V	Pins
SCAP330-36-43	36-43uF	330V	Pins
SCAP330-43-52	43-52uF	330V	Pins
SCAP330-47-56	47-56uF	330V	Pins
SCAP330-53-64	53-64uF	330V	Pins
SCAP330-64-77	64-77uF	330V	Pins
SCAP330-72-86	72-86uF	330V	Pins
SCAP330-88-106	88-106uF	330V	Pins
SCAP330-108-130	108-130uF	330V	Pins
SCAP330-124-149	124-149uF	330V	Pins
SCAP330-130-156	130-156uF	330V	Pins
SCAP330-145-174	145-174uF	330V	Pins
SCAP330-161-193	161-193uF	330V	Pins
SCAP330-189-227	189-227uF	330V	Pins





## LEATHER PUMP BUCKETS



PB 2 -3/4	3/4"	
PB 2 -7/8	7/8"	
PB <input type="checkbox"/> -1	1"	
PB <input type="checkbox"/> -1 1/8	1 1/8"	
PB <input type="checkbox"/> -1 1/4	1 1/4"	
PB <input type="checkbox"/> -1 3/8	1 3/8"	
PB <input type="checkbox"/> -1 1/2	1 1/2"	
PB <input type="checkbox"/> -1 5/8	1 5/8"	
PB <input type="checkbox"/> -1 3/4	1 3/4"	
PB <input type="checkbox"/> -1 7/8	1 7/8"	
PB <input type="checkbox"/> -2	2"	
PB <input type="checkbox"/> -2 1/8	2 1/8"	
PB <input type="checkbox"/> -2 1/4	2 1/4"	
PB <input type="checkbox"/> -2 3/8	2 3/8"	
PB <input type="checkbox"/> -2 1/2	2 1/2"	
PB <input type="checkbox"/> -2 5/8	2 5/8"	
PB <input type="checkbox"/> -2 3/4	2 3/4"	
PB <input type="checkbox"/> -2 7/8	2 7/8"	
PB <input type="checkbox"/> -3	3"	
PB <input type="checkbox"/> -3 1/8	3 1/8"	
PB <input type="checkbox"/> -3 1/4	3 1/4"	
PB <input type="checkbox"/> -3 1/2	3 1/2"	
PB <input type="checkbox"/> -3 3/4	3 3/4"	-
PB <input type="checkbox"/> -4	4"	-
PB <input type="checkbox"/> -4 1/8	4 1/8"	-
PB <input type="checkbox"/> -4 1/4	4 1/4"	-
PB <input type="checkbox"/> -4 1/2	4 1/2"	-
PB <input type="checkbox"/> -4 5/8	4 5/8"	-
PB <input type="checkbox"/> -4 3/4	4 3/4"	-
PB <input type="checkbox"/> -4 7/8	4 7/8"	-
PB <input type="checkbox"/> -5	5"	-
PB <input type="checkbox"/> -5 1/2	5 1/2"	-
PB <input type="checkbox"/> -6	6"	-
PB <input type="checkbox"/> -7	7"	-

CUT-OUTS (Specify size when ordering)

**Specify type 1 or 3 when ordering (see information below)**

These quality pump buckets are made from selected leather in order to ensure a good quality bucket. Leather being absorbent has the advantage of conforming to the shape worn pump cylinder and so maximizing pressure.

The **No.3** is a pliable bucket that has proved satisfactory for medium or soft water. For hard or artesian water the **No.1** bucket may be necessary. This is a hard bucket manufactured by a different process. The skin of the leather is on the inside. This ensures that the bucket is not weakened by any tailoring necessary when fitting to a pump cylinder.



**LEATHER PUMP BUCKETS**

PBN-1	(SMALL HOLE)	1"
PBN-1 1/8		1 1/8"
PBN-1 1/4		1 1/4"
PBN-1 3/8		1 3/8"
PBN-1 1/2		1 1/2"
PBN 1 3/4		1 3/4"
PBN-2	(LARGE HOLE)	2"
PBN-2 1/4		2 1/4"
PBN-2 1/2		2 1/2"
PBN-2 3/4		2 3/4"
PBN-3		3"
PBN-3 1/2		3 1/2"
PBN-4		4"



**NEOPRENE PUMP BUCKETS**

Part No	Size
PBNE-1	1"
PBNE-1 1/8	1 1/8"
PBNE-1 1/4	1 1/4"
PBNE-1 3/8	1 3/8"
PBNE-1 1/2	1 1/2"
PBNE-1 3/4	1 3/4"
PBNE-1 7/8	1 7/8"
PBNE-2	2"
PBNE-2 1/4	2 1/4"
PBNE-2 1/2	2 1/2"
PBNE-2 3/4	2 3/4"
PBNE-3	3"
PBNE-3 1/2	3 1/2"
PBNE-4	4"







**FLANGE GASKETS**



**FLANGE GASKETS - SINGLE PLY - TABLE D - RUBBER**

<b>Part No</b>	<b>Size</b>
FG-00.75	3/4"
FG-01.00	1"
FG-01.25	1 1/4"
FG-01.50	1 1/2"
FG-02.00	2"
FG-02.50	2 1/2"
FG-03.00	3"
FG-03.50	3 1/2"
FG-04.00	4"
FG-05.00	5"
FG-06.00	6"
FG-07.00	7"
FG-08.00	8"
FG-09.00	9"
FG-10.00	10"
FG-12.00	12"
FG-14.00	14"
FG-16.00	16"
FG-18.00	18"
FG-20.00	20"



**FLANGE GASKETS**

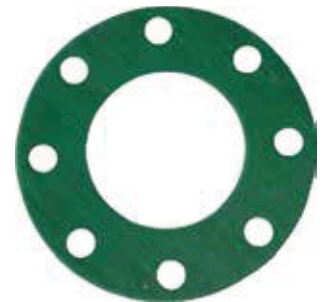
**FLANGE GASKETS - DOUBLE PLY - TABLE D - RUBBER**

<b>Part No</b>	<b>Size</b>
FGDP-03.00	3"
FGDP-04.00	4"
FGDP-06.00	6"
FGDP-08.00	8"
FGDP-10.00	10"
FGDP-12.00	12"



**FLANGE GASKETS - SINGLE PLY - TABLE D - FIBRE**

<b>Part No</b>	<b>Size</b>
FGCF-01.50	1 1/2"
FGCF-02.00	2"
FGCF-03.00	3"
FGCF-04.00	4"
FGCF-05.00	5"
FGCF-06.00	6"





**PUMP PACKING**

**NUMBAT PTFE PACKING - 1M PACK**



**NUMBAT**

Part No	Size mm	Length
NPP - 032	3.2	1m
NPP - 050	5.0	1m
NPP - 065	6.5	1m
NPP - 080	8.0	1m
NPP - 095	9.5	1m
NPP - 125	12.5	1m
NPP - 160	16.0	1m
NPP - 190	19.0	1m

- PTFE impregnated synthetic fibre lubricated
- Speed: 12mtr/sec
- pH: 2-12
- Temp: to 250 °C.
- Pressure: to 290 PSI

**NUMBAT GRAPHITE PACKING – 1M PACK**



Part No	Size mm	Length
GPP - 032	3.2	1m
GPP - 050	5.0	1m
GPP - 065	6.5	1m
GPP - 080	8.0	1m
GPP - 095	9.5	1m
GPP - 125	12.5	1m
GPP - 160	16.0	1m
GPP - 190	19.0	1m

- Graphite impregnated synthetic fibre, lubricated
- Speed: 10mtr/sec
- pH: 2-12
- Temp: to 260 °C.
- Pressure: to 290 PSI

**NUMBAT PTFE PACKING - 8M ROLL**



Part No	Size mm	Length
NPP8 - 032	3.2	8m Roll
NPP8 - 050	5.0	8m Roll
NPP8 - 065	6.5	8m Roll
NPP8 - 080	8.0	8m Roll
NPP8 - 095	9.5	8m Roll
NPP8 - 125	12.5	8m Roll
NPP8 - 160	16.0	8m Roll
NPP8 - 190	19.0	8m Roll

- PTFE impregnated synthetic fibre, lubricated
- Speed: 12mtr/sec
- Temp: to 250 °C.
- pH: 2-12
- Pressure: to 290 PSI



## PUMP PACKING



## NUMBAT GRAPHITE PACKING - 8M ROLL

Part No	Size mm	Length
GPP8 - 032	3.2	8m Roll
GPP8 - 050	5.0	8m Roll
GPP8 - 065	6.5	8m Roll
GPP8 - 080	8.0	8m Roll
GPP8 - 095	9.5	8m Roll
GPP8 - 125	12.5	8m Roll
GPP8 - 160	16.0	8m Roll
GPP8 - 190	19.0	8m Roll

- Graphite impregnated synthetic fibre, lubricated
- Speed: 10mtr/sec
- pH: 2-12
- Temp: to 260 °C.
- Pressure: to 290 PSI



## PTFE PACKING CORD - 1/2 M PACKS

Part No	Size mm
PTFE/PC - 053	3mm x 500mm Length
PTFE/PC - 054	4mm x 500mm Length
PTFE/PC - 056	6mm x 500mm Length

## FLEXIBLE PACKING EXTRACTORS

Part No	Size
FPER - 1	Small
FPER - 2	Medium
FPER - 3	Large



## REPLACEMENT TIPS

Part No
FPE - T1
FPE - T2
FPE - T3

- This tool is designed to facilitate the removal of old packing of any size.
- Replaceable tip type.

## PACKING CUTTER TOOL

Part No
PCT01

- 90° and 45° cutting angles





**MECHANICAL SEALS**

 <p>NG1 - Page 93</p>	 <p>NG12 - Page 94</p>	 <p>N3 - Page 95</p>	 <p>N3RD - Page 95</p>
 <p>N3LU - Page 95</p>	 <p>NG13 - Page 95</p>	 <p>NG13G - Page 95</p>	 <p>N6 - Page 96</p>
 <p>N7 - Page 97</p>	 <p>N8 - Page 98</p>	 <p>N9 - Page 99</p>	 <p>N32 - Page 99</p>
 <p>N36B - Page 99</p>	 <p>N10 - Page 100</p>	 <p>NR10 - Page 101</p>	 <p>NU3 - Page 102</p>
 <p>NU5 - Page 102</p>	 <p>N21 IMP - Page 103</p>	 <p>N21 DIN - Page 104</p>	 <p>N560 - Page 105</p>
 <p>N560D - Page 106</p>	 <p>N2100 - Page 107</p>	 <p>N2100K - Page 108</p>	 <p>N502 - Page 109</p>
 <p>Ricambi - Page 110</p>	 <p>Ricambi - Page 111</p>	 <p>Numbat Mechanical Seal</p>	 <p>Numbat Mechanical Seal</p>



**MECHANICAL SEALS**



NG1-12mm	12	25.0	23.0	6.6	15.0	21.6
NG1-14mm	14	28.5	25.0	6.6	17.0	23.6
NG1-14mm HM	14	28.5	26.0	5.5	17.0	22.5
NG1-15mm	15	28.5	27.0	6.6	17.0	23.6
NG1-16mm	16	28.5	27.0	6.6	17.0	23.6
NG1-18mm	18	32.0	33.0	7.5	19.5	27.0
NG1-19mm	19	37.0	35.0	7.5	21.5	29.0
NG1-20mm	20	37.0	35.0	7.5	21.5	29.0
NG1-20mm Z	20	37.0	31.0	8.0	21.5	29.5
NG1-22mm	22	37.0	37.0	7.5	21.5	29.0
NG1-24mm	24	42.5	39.0	7.5	22.5	30.0
NG1-25mm	25	42.5	40.0	7.5	23.0	30.5
NG1-28mm	28	49.0	43.0	7.5	26.5	34.0
NG1-30mm	30	49.0	45.0	7.5	26.5	34.0
NG1-32mm	32	53.5	48.0	7.5	27.5	35.0
NG1-33mm	33	53.5	48.0	7.5	27.5	35.0
NG1-35mm	35	57.0	50.0	7.5	28.5	36.0
NG1-38mm	38	59.0	56.0	9.0	30.0	39.0
NG1-40mm	40	62.0	58.0	9.0	30.0	39.0
NG1-43mm	43	65.5	61.0	9.0	30.0	39.0
NG1-45mm	45	68.0	63.0	9.0	30.0	39.0
NG1-48mm	48	70.5	66.0	9.0	30.5	39.5
NG1-50mm	50	74.0	70.0	9.5	30.5	40.0
NG1-53mm	53	78.5	73.0	11.0	33.0	44.0
NG1-55mm	55	81.0	75.0	11.0	35.0	46.0
NG1-58mm	58	85.5	78.0	11.0	37.0	48.0
NG1-60mm	60	88.5	80.0	11.0	38.0	49.0
NG1-65mm	65	93.5	85.0	11.0	40.0	51.0
NG1-68mm	68	96.5	90.0	11.3	40.0	51.3
NG1-70mm	70	99.5	92.0	11.3	40.0	51.3
NG1-75mm	75	107.0	97.0	11.3	40.0	51.3
NG1-80mm	80	112.0	105.0	12.0	40.0	52.0
NG1-85mm	85	120.0	110.0	14.0	41.0	55.0
NG1-90mm	90	127.0	115.0	14.0	45.0	59.0
NG1-95mm	95	132.0	120.0	14.0	46.0	60.0
NG1-100mm	100	137.0	125.0	14.0	47.0	61.0

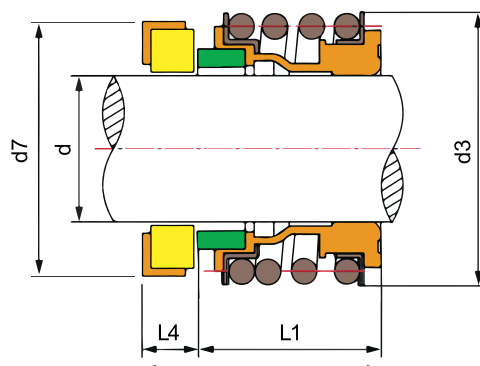
**Equivalent  
MG1**

**Operating Limits**

Pressure:  $\leq 1.2\text{MPa}$   
 Speed:  $\leq 10\text{m/s}$   
 Temperature:  $-20^{\circ}\text{C} \sim +120^{\circ}\text{C}$

- Rotary Ring (Carbon/SiC/TC)
- Stationary Ring (Ceramic/SiC/TC)
- Secondary Seal (NBR/EPDM/VITON)
- Spring & Other Parts (SUS304)

CSV = Carbon, Silicon, Viton  
 SSV = Silicon, Silicon, Viton







**MECHANICAL SEALS**



NG12-12mm	12	25.0	23.0	6.6	25.9	32.5
NG12-14mm	14	28.5	25.0	6.6	28.4	35.0
NG12-15mm	28.5	27.0	6.5	28.5		35.0
NG12-16mm	16	28.5	27.0	6.6	28.4	35.0
NG12-18mm	18	32.0	33.0	7.5	30.0	37.5
NG12-20mm	20	37.0	35.0	7.5	30.0	37.5
NG12-22mm	22	37.0	37.0	7.5	30.0	37.5
NG12-24mm	24	42.5	39.0	7.5	32.5	40.0
NG12-25mm	25	42.5	40.0	7.5	32.5	40.0
NG12-28mm	28	49.0	43.0	7.5	35.0	42.5
NG12-30mm	30	49.0	45.0	7.5	35.0	42.5
NG12-32mm	32	53.5	48.0	7.5	35.0	42.5
NG12-33mm	33	53.5	48.0	7.5	35.0	42.5
NG12-35mm	35	57.0	50.0	7.5	35.0	42.5
NG12-38mm	38	59.0	56.0	9.0	36.0	45.0
NG12-40mm	40	62.0	58.0	9.0	36.0	45.0
NG12-43mm	43	65.5	61.0	9.0	36.0	45.0
NG12-45mm	45	68.0	63.0	9.0	36.0	45.0
NG12-48mm	48	70.5	66.0	9.0	36.0	45.0
NG12-50mm	50	74.0	70.0	9.5	38.0	47.5
NG12-53mm	53	78.5	73.0	11.0	36.5	47.5
NG12-55mm	55	81.0	75.0	11.0	36.5	47.5
NG12-58mm	58	85.5	78.0	11.0	41.5	52.5
NG12-60mm	60	88.5	80.0	11.0	41.5	52.5
NG12-65mm	65	93.5	85.0	11.0	41.5	52.5
NG12-68mm	68	96.5	90.0	11.3	41.2	52.5
NG12-70mm	70	99.5	92.0	11.3	48.7	60.0
NG12-75mm	75	107.0	97.0	11.3	48.7	60.0
NG12-80mm	80	112.0	105.0	12.0	48.0	60.0
NG12-85mm	85	120.0	110.0	14.0	46.0	60.0
NG12-90mm	90	127.0	115.0	14.0	51.0	65.0
NG12-95mm	95	132.0	120.0	14.0	51.0	65.0
NG12-100mm	100	137.0	125.0	14.0	51.0	65.0

**Equivalent**

MG12

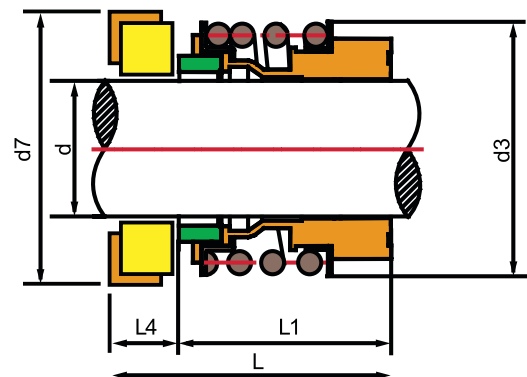
**Operating Limits**

Pressure:  $\leq 1.2\text{MPa}$   
 Speed:  $\leq 10\text{m/s}$   
 Temperature:  $-20^{\circ}\text{C} \sim +120^{\circ}\text{C}$

- Rotary Ring (Carbon/SiC/TC)
- Stationary Ring (Ceramic/SiC/TC)
- Secondary Seal (NBR/EPDM/VITON)
- Spring & Other Parts (SUS304/SUS316)

CSV = Carbon, Silicon, Viton

SSV = Silicon, Silicon, Viton





**MECHANICAL SEALS**

**N3 NUMBAT MECHANICAL SEAL**

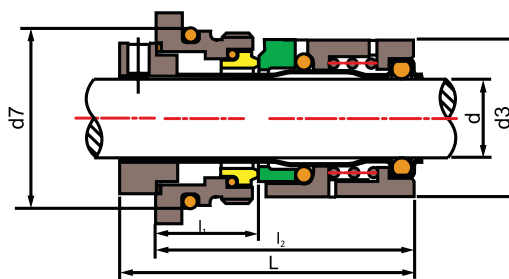
Part No	d	d3	d7	L
N3-12mm	12	25.0	29.0	55.0
N3-16mm	16	30.5	34.0	57.5
N3-22mm	22	42.0	50.0	70.0
N3RD-12mm	12	25.0	31.5	56.0
N3RD-16mm	16	30.5	34.0	59.0
N3RD-22mm	22	42.0	50.0	73.0
N3LU-12mm	12	25.3	29.0	55.0
N3LU-16mm	16	30.9	34.0	57.5

**Operating Limits**

Pressure: ≤1.0MPa  
 Speed: ≤10m/s  
 Temperature: -30°C ~+180°C

- Rotary Ring (SiC/TC)
- Stationary Ring (SiC/TC)
- Secondary Seal(NBR/VITON)
- Spring &Other Parts(SUS316)

SSV = Silicon, Silicon, Viton



**NG13 NUMBAT MECHANICAL SEAL**

Part No	d	d3	d7	L4	L1	L
NG13-12mm	12	24.5	23.0	6.6	33.5	40.1
NG13G-12mm	12	22.0	23.0	8.5	25.5	
3			.			0
NG13-16mm	28.0	27.0	6.6	33.5		40.1
NG13G-16mm	26.3	27.0	9.8	31.0	4 0	8
NG13G-16mm S	16	26.3	27.0	9.0	25.5	
3			.			5
NG13-22mm	22	37.0	37.0	7.5	37.7	
4			.			0
NG13-28mm	28	49.0	43.0	7.5	42.7	
5			.			2
NG13-33mm	33	53.0	48.0	7.5	47.7	
5			.			2
NG13-35mm	35	57.0	50.0	7.5	47.7	
5			.			2
NG13-38mm	38	59.0	56.0	9.0	46.2	
5			.			2
NG13-40mm	40	62.0	58.0	9.0	46.2	
5			.			2
NG13-43mm	43	65.5	61.0	9.0	51.2	
6			.			2
NG13-45mm	45	68.0	63.0	9.0	51.2	
6			.			2
NG13-48mm	48	70.0	66.0	10.0	51.2	61.2
NG13-50mm	50	73.5	70.0	9.5	50.7	
6			.			2
NG13-55mm	55	80.5	75.0	12.0	59.2	71.2



**Operating Limits**

Pressure: ≤1.2MPa  
 Speed: ≤10m/s  
 Temperature: -20°C ~+180°C

- Rotary Ring(Carbon/SiC)
- Retainer(SUS304)
- Spring(SUS304)
- Spring Holder(SUS304)

CSV = Carbon, Silicon, Viton  
 SSV = Silicon, Silicon, Viton

Stationary Ring(Ceramic/SiC/TC)  
 Secondary Seal(NBR/EPDM/VITON)

**Equivalent**  
 MG13, N4



**MECHANICAL SEALS - WE CAN HELP YOU WITH SIZING**

	<b>L</b>					
N6-3/8"	9.52	23.8	22.225	6.20	16.02	22.22
N6-1/2"	12.7	26.97	25.40	8.00	16.60	24.60
N6-5/8"	15.875	30.94	31.75	10.30	18.20	28.50
N6-5/8" PAC	15.875	30.94	31.75	10.30	18.2	28.5
N6-5/8" OC	15.875	30.94	30.00	8.50	18.20	26.70
N6-5/8" TC	15.875	30.94	38.00	6.90	18.20	25.10
N6-3/4"	19.05	34.11	34.925	10.30	18.20	28.50
N6-3/4" PAC	19.05	34.11	34.925	10.3	18.2	25.1
N6-3/4" TC	19.05	34.11	38.00	6.90	18.20	25.10
N6-7/8"	22.225	36.30	38.10	10.30	20.10	30.94
N6-1"	25.40	42.85	41.275	11.10	20.63	31.73
N6-1" PAC	25.4	42.85	41.275	11.1	20.63	31.73

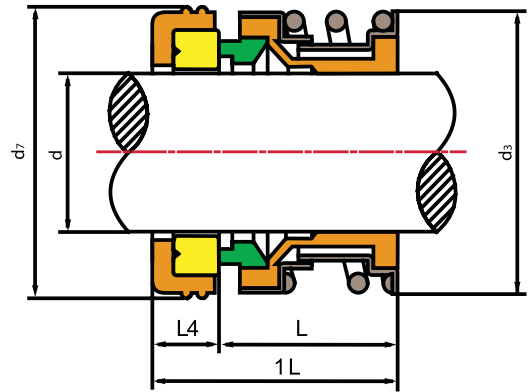


**Operating Limits**

Pressure:  $\leq 1\text{MPa}$   
 Speed:  $\leq 10\text{ m/s}$   
 Temperature:  $-30^{\circ}\text{C} \sim +200^{\circ}\text{C}$

- Rotary Ring(Plastic Carbon/Carbon/SiC/TC)
- Stationary Ring(Ceramic/SiC/TC)
- Secondary Seal(NBR/EPDM/VITON)
- Spring & Other Parts(SUS304)

CCN = Carbon, Ceramic, Nitrile  
 CCV = Carbon, Ceramic, Viton  
 SSV = Silicon, Silicon, Viton





**MECHANICAL SEALS - WE CAN HELP YOU WITH SIZING**

	d3(boot)	d7	L	L4	L2	L3
N7-1/2"FT	26.0	25.0	20.8	5.0	6.0	8.0
N7-1/2"		25.4	19.2	8.0	5.0	8.0
N7- 1/2" M		25.0	18.0	5.0	5.0	8.0
N7-1/2"DC	32.0	25.4	21.8	5.0	5.2	9.0
N7-1/2" DCI	32.9	25.4	21.8	5.0	5.2	9.0
N7-1/2"HC		24.0		5.5	5.5	8.0
N7-5/8"		31.75	25.0	10.3	6.7	8.0
N7-5/8"DC	41.0	31.75	27.1	10.3	7.8	9.0
N7-5/8"FB		31.75		5.0	7.8	9.0
N7-5/8"FC	41.0	31.75	21.8	5.0	7.8	9.0
N7-5/8"TC		38.0		6.5	7.8	9.0
N7-3/4"		34.925	25.8	10.3	5.5	10.0
N7-3/4"PB	45.0	35.0	22.5	5.0	5.5	12.0
N7-3/4"HC		35.0		5.0	5.5	12.0
N7-3/4"TC		38.0		6.5	5.5	12.0
N7-1"		41.275	29.0	11.1	5.9	12.0
N7-1 1/8"		48.0	27.0	8.0	8.0	12.0
N7-25mm		44.0	25.0	7.0	8.0	10.0
N7-30mm	58.0	48.0	29.0	8.0	8.0	13.3

**Equivalent**  
T68, T6A, B03

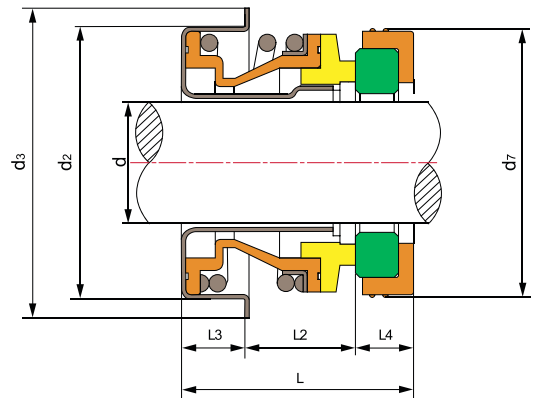


**Operating Limits**

Pressure: ≤0.3MPa  
 Rotary Speed: ≤5000r/min  
 Temperature: -30°C ~ +150°C  
 Medium: Clean water, seawater, gas engine antifreeze

- Rotary Ring(Ceramic/SiC)
- Stationary Ring(Plastic Carbon/Carbon/SiC)
- Secondary Seal (NBR/EPDM/HNBR/VITON)
- Spring & Other Parts (SUS304/SUS316)

CCN = Carbon, Ceramic, Nitrile  
 CCV = Carbon, Ceramic, Viton  
 SSV = Silicon, Silicon, Viton



**NUMBAT**



## MECHANICAL SEALS

Part No	d	d3	d7	L4	L1	L
N8-6mm	6	18	22	4	10	14.0
N8-8mm S	8	18	22	4	11	15.0
N8-8mm M	8	20	26	5.5	11	16.5
N8-8mm	8	20	26	8	11	17.0
N8-10mm	10	24	26	8	11	19.0
N8-11mm	11	24	26	8	13	21.0
N8-12mm JS	12	24	26	5.5	13	18.5
N8-12mm	12	24	26	8	13	21.0
N8-1/2"	12.5	24	25.4	6.5/8	15	21.5/23
N8-13mm CL	13	24	26	5.5	13	18.5
N8-13mm	13	24	26	8	13	21.0
N8-14mm 25 S	14	28	25	5.5	15.5	21.0
N8-14mm M	14	28	26	8	13	21.0
N8-14mm STD	14	28	29.5	8	13	21.0
N8-14mm SPECK	14	28	25	7	13	20.0
N8-14mm CA	14	28	28.5	8	13	21.0
N8-14mm TE	14	28	30	8	13	21.0
N8-15mm S	15	28	28.5	8	13	21.0
N8-15mm M	15	28	30	8	13	21.0
N8-15mm STD	15	28	29.5	8	13	21.0
N8-15mm L	15	39	38	8	13	21.0
N8-16mm	16	28	29.5	8	13	21.0
N8-16mm S	16	28	30	8	13	21.0
N8-16mm L	16	28	38	8	13	21.0
N8-17mm	17	39	42	8	13	21.0
N8-18mm	18	39	42	8	13	21.0
N8-19mm	19	39	42	8	13	21.0
N8-20mm	20	39	42	8	13	21.0
N8-20mm L	20	42	45	10	13	23.0
N8-22mm S	22	36	45	10	16.5	26.5
N8-22mm M	22	39	42	8	13	21.0
N8-22mm L	22	42	50	10	13	23.0
N8-23mm	23	47	50	10	13.5	23.5
N8-24mm	24	47	50	10	13.5	23.5
N8-25mm S	25	42	39.3	8	13.5	21.5
N8-25mm	25	42	50	10	13.5	23.5
N8-26mm	26	47	50	10	13.5	23.5
N8-27mm	27	47	50	10	13.5	23.5
N8-28mm	28	54	57	10	15	25.0
N8-30mm	30	54	57	10	15	25.0
N8-32mm	32	54	57	10	15	25.0
N8-35mm	35	60	63	10	16	26.0
N8-38mm	38	65	68	12	18	30.0
N8-40mm	40	65	68	12	18	30.0
N8-45mm	45	70	73	12	20	32.0
N8-50mm	50	85	88	15	23	38.0
N8-55mm	55	85	88	15	23	38.0
N8-60mm	60	105	110	15	30	45.0
N8-65mm	65	105	110	15	32	47.0
N8-70mm	70	105	110	15	32	47.0

## Equivalent

FA, B01, T55



## Operating Limits

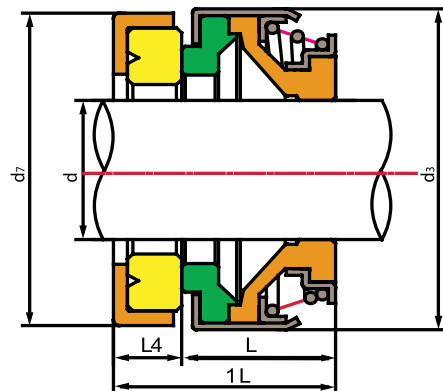
Pressure:  $\leq 0.6\text{MPa}$ Speed:  $\leq 10\text{m/s}$ Temperature:  $-30^{\circ}\text{C} \sim +200^{\circ}\text{C}$ 

- Rotary Ring(Plastic Carbon/Carbon/SiC/TC)
- Stationary Ring(Ceramic/SiC/TC)
- Secondary Seal(NBR/EPDM/VITON)
- Spring & Other Parts(SUS304)

CCN = Carbon, Ceramic, Nitrile

CCV = Carbon, Ceramic, Viton

SSV = Silicon, Silicon, Viton





**MECHANICAL SEALS**

**N9 NUMBAT MECHANICAL SEAL**

Part No	d	d3	d7	L1	L4	L
N9-7/8"	22.23	35	38.1	23.5	10.3	33.8
N9-25mm	25	40	41.3	26.5	11	37.5

**Operating Limits**

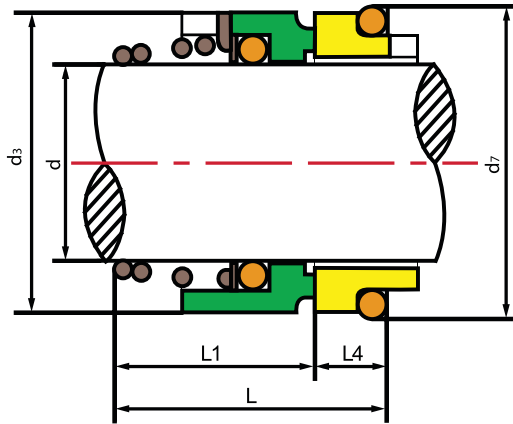
Pressure:  $\leq 1\text{MPa}$

Speed:  $\leq 15\text{m/s}$

Temperature:  $-20^{\circ}\text{C} \sim +180^{\circ}\text{C}$

- Rotary Ring(Carbon/SiC/TC)
- Stationary Ring(99%Ceramic/SiC/TC)
- Secondary Seal (NBR/EPDM/VITON/PTFE)
- Spring & Other Parts (SUS304)

CCN = Carbon, Ceramic, Nitrile



**N32 NUMBAT MECHANICAL SEAL**

Part No	d	d3	d7	L4	L1	L
N32-12mm	12	19	23	8	33.5	41.5

**N36B NUMBAT MECHANICAL SEAL**

Part No	d	d3	d7	L4	L1	L
N36B-16mm	16	26	27	9	32	41







**MECHANICAL SEALS**

**N10 NUMBAT MECHANICAL SEAL**

Part No	d	d3	d7	L1	L4	L
N10-10mm	10	20	18.1	15	5.5	20.5
N10-12mm	12	22	20.6	18	5.5	23.5
N10-13mm	13	25	23.1	22	6	28.0
N10-14mm	14	25	23.1	22	6	28.0
N10-14mm LA	14	25	23.1	18	6	24.0
N10-15mm	15	29	26.9	23	7	30
N10-16mm	16	29	26.9	23	7	30
N10-17mm	17	29	26.9	23	7	30
N10-18mm	18	33	30.9	24	8	32
N10-19mm	19	33	30.9	25.2	8	33.2
N10-20mm	20	33	30.9	25	8	33
N10-21mm	21	38	35.4	25	8	33
N10-22mm	22	38	35.4	25	8	33
N10-23mm	23	38	35.4	27	8	35
N10-24mm	24	38	35.4	27	8	35
N10-25mm	25	40	38.2	27	8.5	35.5
N10-28mm	28	46	43.3	30	9	39
N10-29mm	29	46	43.3	30	9	39
N10-30mm	30	46	43.3	30	9	39
N10-32mm	32	46	43.3	30	9	39
N10-33mm	33	50	53.5	39	11.5	50.5
N10-35mm	35	50	53.5	39	11.5	50.5
N10-38mm	38	60.5	60.5	39	11.5	50.5
N10-40mm	40	60.5	60.5	39	11.5	50.5

**Equivalent**  
R3, Simplex

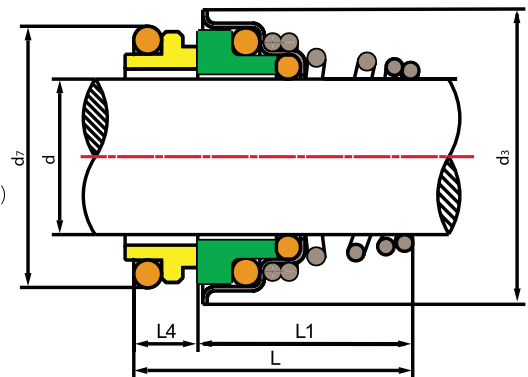


**Operating Limits**

Pressure:  $\leq 1\text{MPa}$   
 Speed:  $\leq 15\text{ m/s}$   
 Temperature:  $-30^{\circ}\text{C} \sim +200^{\circ}\text{C}$

- Rotary Ring(Ceramic/SiC/TC)
- Stationary Ring(Plastic Carbon/Carbon/SiC/TC)
- Secondary Seal(NBR/EPDM/VITON)
- Spring & Other Parts(SUS304)

CCN = Carbon, Ceramic, Nitrile  
 CCV = Carbon, Ceramic, Viton  
 SSV = Silicon, Silicon, Viton





**MECHANICAL SEALS**

**NR10 NUMBAT MECHANICAL SEAL**

Part No	d	d3	d7	L4	L1	L
NR10-12mm	12	20	20.6	5.5	18.2	23.7
NR10-14mm	14	23	23.1	6.0	22.2	28.2
NR10-18mm	18	29	30.9	8.0	24.2	32.2
NR10-20mm	20	30	30.9	8.0	25.2	33.2
NR10-22mm	22	34	35.4	8.0	25.2	33.2
NR10-24mm	24	35	35.4	8.0	27.2	35.2
NR10-25mm	25	37	38.2	8.5	27.2	35.7
NR10-32mm	32	45	43.3	9.0	30.2	39.2
NR10-40mm	40	56	60.5	11.5	39.2	50.7



**Operating Limits**

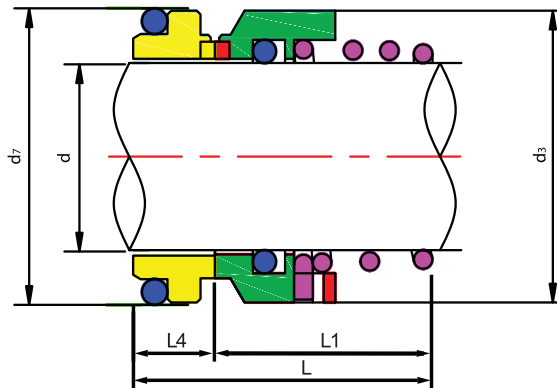
Pressure:  $\leq 1\text{MPa}$

Speed:  $\leq 15\text{ m/s}$

Temperature:  $-30^{\circ}\text{C} \sim +200^{\circ}\text{C}$

- Rotary Ring(Ceramic/SiC/TC)
- Stationary Ring(Plastic Carbon/Carbon/SiC/TC)
- Secondary Seal(NBR/EPDM/VITON)
- Spring & Other Parts(SUS304)

TCSV = Tungsten, Carbon, Silicon & Viton





**MECHANICAL SEALS**



**NU3 NUMBAT MECHANICAL SEAL**

Part No	d	d3	d7	L1	L4	L
NU3-10mm	10	20	21	15	7	22
NU3-12mm	12	22	23	18	7	25
NU3-14mm	14	25	25	22	7	28
NU3-16mm	16	29	27	25	7	30
NU3-18mm	18	33	33	24	10	34
NU3-20mm	20	33	35	25	10	35
NU3-22mm	22	38	37	25	10	35
NU3-24mm	24	38	39	27	10	37
NU3-25mm	25	40	40	27	10	37
NU3-28mm	28	46	43	29	10	39
NU3-30mm	30	46	45	30	10	40
NU3-32mm	32	46	48	30	10	40
NU3-33mm	33	48	48	39	10	49
NU3-35mm	35	50	50	39	10	49
NU3-38mm	38	58	56	42	13	55
NU3-40mm	40	58	58	42	13	55

**NUMBAT**

**Equivalent**  
Uniten

**Operating Limits**

Pressure: ≤1MPa

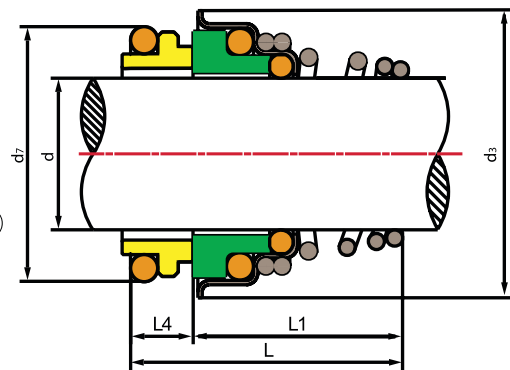
Speed: ≤15 m/s

Temperature: -30°C ~ +200°C

- Rotary Ring(Ceramic/SiC/TC)
- Stationary Ring(Plastic Carbon/Carbon/SiC/TC)
- Secondary Seal(NBR/EPDM/VITON)
- Spring & Other Parts(SUS304)

CCN = Carbon, Ceramic, Nitrile

CSV = Carbon, Silicon, Viton



**NU5 NUMBAT MECHANICAL SEAL**

Part No	d	d3	d7	L1	L4	L
NU5-12mm L	12	22	23	8.4	22	3 0 . 4
NU5-16mm	16	28	26.9	9	25	3 . 4
NU5-22mm	22	37	35.4	8	30.2	3 8 . 2
NU5-22mm L52	22	42.8	37	12.3	39.5	51.8
NU5-25mm	25	40.5	38.2	8.5	33.2	41.7

**Operating Limits**

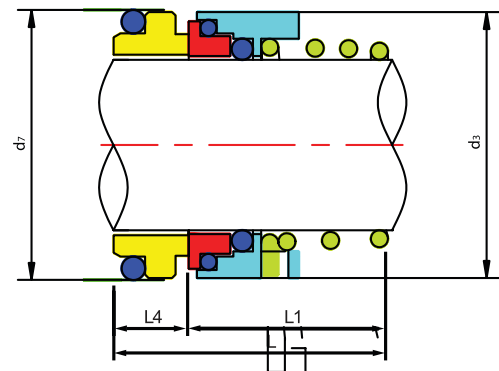
Pressure: ≤1MPa

Speed: ≤12 m/s

Temperature: -30°C ~ +200°C

- Rotary Ring(Plastic Carbon/Carbon/SiC/TC)
- Stationary Ring(Ceramic/SiC/TC)
- Secondary Seal(NBR/EPDM/VITON)
- Spring & Other Parts(SUS304)

SCV = Silicon, Carbon, Viton





**MECHANICAL SEALS**

**N21 IMP NUMBAT MECHANICAL SEAL**

Part No	d	d3	d7	L1	L4	L
N21-3/8"	9.52	23.5	22.23	22.5	6.3	28.5
N21-1/2"	12.7	26.0	25.4	22.5	7.9	30.1
N21-5/8"	15.875	30.0	31.750	22.5	10.3	32.5
N21-3/4"	19.05	32.5	34.93	22.5	10.3	32.5
N21-7/8"	22.225	37.5	38.1	23.8	10.3	34.1
N21-7/8" NSS	22.225	33.34	37.3	23.8	10.3	34.1
N21-1"	25.4	44.0	41.28	25.4	11.1	36.5
N21-1 1/8"	28.575	48.0	44.45	27.0	11.1	38.1
N21-1 1/8" NSS	28.58	48.0	44.35	27.0	11.60	38.60
N21-1 1/8" RSS	28.575	46.02	47.65	26.97	11.9	38.87
N21-1 1/4"	31.75	50.0	47.63	27.0	11.1	38.1
N21-1 1/4" MC	31.75	46.0	47.7	25.0	9.0	34.0
N21-1 3/8"	34.925	54.5	50.8	28.6	11.1	39.7
N21-1 3/8" NSS	34.93	51.50	50.83	25.0	7.3	32.30
N21-1 3/8" RSS	34.925	52.37	54.0	28.58	11.9	40.48
N21-1 1/2"	38.1	58.5	53.98	28.6	11.1	39.7
N21-1 5/8"	41.275	64.0	60.33	34.9	12.7	47.6
N21-1 5/8" NSS	41.28	64.0	57.0	35.0	12.70	47.70
N21-1 5/8" RSS	41.275	63.5	60.35	34.93	11.9	46.83
N21-1 3/4"	44.45	67.0	63.5	34.9	12.7	47.6
N21-1 7/8"	47.625	71.0	66.68	38.1	12.7	50.8
N21-2"	50.8	73.5	69.85	38.1	12.7	50.8
N21-2" RSS	50.8	73.03	69.85	38.1	13.5	51.6
N21-2 1/8"	53.975	75.6	76.2	42.9	14.3	57.2
N21-2 1/4"	57.15	80.0	79.38	42.9	14.3	57.2
N21-2 3/8"	60.325	79.6	82.55	42.9	14.3	57.2
N21-2 1/2"	63.5	84.9	85.73	46.0	14.3	60.3
N21-2 5/8"	66.675	84.6	85.725	49.2	15.9	65.1
N21-2 3/4"	69.85	93.0	88.9	49.2	15.9	65.1
N21-3"	76.2	102.0	98.425	52.4	15.9	68.3

**Equivalent**

T21, E43

Type 1 & Type 2 available

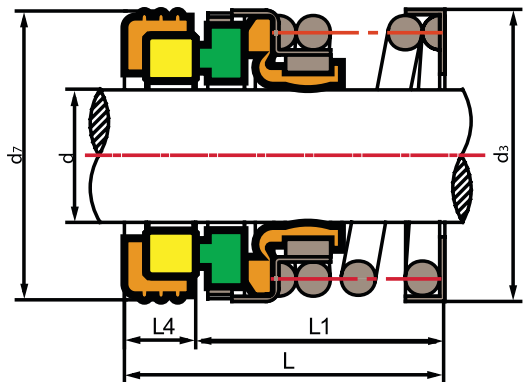


**Operating Limits**

Pressure: ≤1MPa  
 Speed: ≤12 m/s  
 Temperature: -30°C ~ +200°C

- Rotary Ring(Plastic Carbon/Carbon/SiC/TC)
- Stationary Ring(Ceramic/SiC/TC)
- Secondary Seal(NBR/EPDM/VITON)
- Spring & Other Parts(SUS304)

CCN = Carbon, Ceramic, Nitrile  
 CCV = Carbon, Ceramic, Viton  
 SSV = Silicon, Silicon, Viton





**MECHANICAL SEALS**

Part No	d	d3	d7	L1	L4	L
N21-10mm	10.00	20.60	21.00	26.5	6.00	32.5
N21-12mm	12.00	22.00	23.00	25.9	6.60	32.5
N21-14mm	14.00	24.00	25.00	27.0	8.00	35.0
N21-16mm	16.00	26.00	27.00	27.0	8.00	35.0
N21-18mm	18.00	32.00	33.00	27.5	10.00	37.5
N21-20mm	20.00	34.00	35.00	27.5	10.00	37.5
N21-22mm	22.00	37.00	37.00	27.5	10.00	37.5
N21-24mm	24.00	39.00	39.00	30.0	10.00	40.0
N21-24mm Imp	24.00	39.00	41.30	29.5	10.50	40.0
N21-25mm	25.00	39.00	40.00	30.0	10.00	40.0
N21-28mm	28.00	42.00	43.00	32.5	10.00	42.5
N21-30mm	30.00	44.00	45.00	32.5	10.00	42.5
N21-32mm	48.00	32.5	10.00			42.5
N21-32mm Imp		47.70	31.5	11.00		42.5
N21-32mm P/C	50.00	30.5	9.50			40.0
N21-33mm	33.00	47.00	48.00	32.5	10.00	42.5
N21-35mm	35.00	49.00	50.00	32.0	10.50	42.5
N21-38mm	38.00	54.00	56.00	34.0	11.00	45.0
N21-40mm	40.00	56.00	58.00	34.5	10.50	45.0
N21-43mm	43.00	59.00	61.00	32.5	12.70	45.0
N21-44mm	44.00	62.50	66.00	32.5	11.00	43.5
N21-44mm Imp	44.00	62.50	63.50	32.5	11.00	43.5
N21-44mm ER	44.00	62.50	75.00	32.5	9.50	42.0
N21-45mm	45.00	62.00	63.00	34.5	10.50	45.0
N21-48mm	64.00	66.00	34.5	10.50		45.0
N21-48mm MG	64.00	69.90	32.3		12.70	45.0
N21-50mm	66.00	70.00	36.5		11.00	47.5
N21-50mm L/X	50.00	66.00	78.00	34.8	12.70	47.5
N21-53mm	53.00	69.00	73.00	36.0	11.50	47.5
N21-55mm	55.00	72.00	75.00	35.5	12.00	47.5
N21-58mm	58.00	80.00	78.00	40.5	12.00	52.5
N21-60mm	60.00	80.00	80.00	40.5	12.00	52.5
N21-60mm ET	60.00	80.00	82.55	39.8	12.70	52.5
N21-63mm	63.00	83.00	83.00	40.5	12.00	52.5
N21-65mm	65.00	85.00	85.00	39.5	13.00	52.5
N21-68mm	68.00	88.00	90.00	41.2	11.30	52.5
N21-70mm	70.00	90.00	92.00	48.7	11.30	60.0
N21-73mm	73.00	99.00	93.00	48.7	11.30	60.0
N21-75mm	75.00	99.00	97.00	48.7	11.30	60.0

**Equivalent** - 521, 52, E43DIN

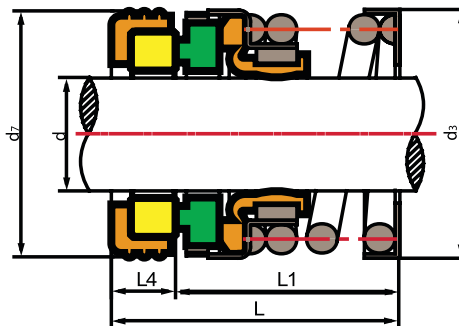


**Operating Limits**

Pressure: ≤1MPa  
 Speed: ≤12 m/s  
 Temperature: -30°C ~ +200°C

- Rotary Ring(Plastic Carbon/Carbon/SiC/TC)
- Stationary Ring(Ceramic/SiC/TC)
- Secondary Seal(NBR/EPDM/VITON)
- Spring & Other Parts(SUS304)

CCN = Carbon, Ceramic, Nitrile  
 CCV = Carbon, Ceramic, Viton  
 SSV = Silicon, Silicon, Viton





## MECHANICAL SEALS

## N560 NUMBAT MECHANICAL SEAL

Part No	d	d3	d7	L1	L4	L	
N560-10mm	10.00	23.50	24.00	18.0	7.00	25.0	
N560-11mm	11.00	23.50	24.00	18.0	7.00	25.0	
N560-12mm	12.00	26.00	26.00	18.0	7.00	25.0	
N560-14mm	14.00	28.00	28.00	18.5	7.00	25.5	
N560-15mm	15.00	30.00	28.00	22.5	7.00	29.5	
N560-16mm	16.00	32.00	32.00	23.5	10.00	33.5	
N560-18mm	18.00	32.50	35.00	26.5	10.00	36.5	
N560-19mm	19.00	32.50	35.00	26.5	10.00	36.5	
N560-20mm	20.00	35.50	38.00	28.0	10.00	38.0	
N560-22mm	22.00	37.50	40.00	30.3	10.00	40.3	
N560-25mm	25.00	42.00	44.00	29.3	10.00	39.3	
N560-28mm	28.00	47.00	46.00	30.0	10.00	40.0	
N560-30mm	30.00	48.00	50.00	30.0	10.00	40.0	
N560-32mm	32.00	50.00	54.00	30.0	10.00	40.0	
N560-35mm	35.00	54.50	58.00	32.0	10.00	42.0	
N560-38mm	38.00	58.50	60.00	32.6	10.00	42.6	
N560-40mm	40.00	62.50	64.00	32.6	10.00	42.6	
N560-45mm	45.00	66.50	66.00	35.0	10.00	45.0	
N560-50mm	50.00	72.50	72.00	43.1		54.6	
N560-55mm	55.00	72.00	75.00	47.4	12.00	50.4	
N560-60mm	60.00	80.00	80.00	51.0	12.00		
N560-65mm	65.00	85.00	85.00	51.0	13.00		
N560-70mm	70.00	92.00	92.00	49.0	11.00		
N156-30mm	-	30.00	47.00	50.00	26.50	8.7	35.2

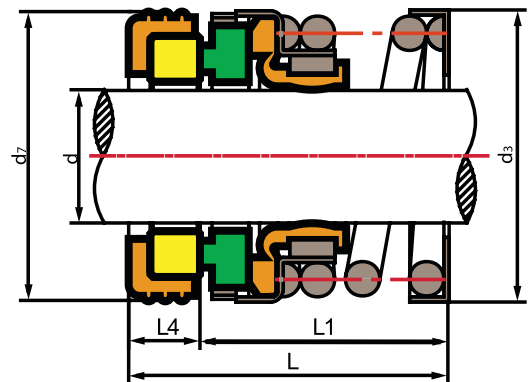
**Equivalent**  
EA560
**Operating Limits**Pressure:  $\leq 1\text{MPa}$ Speed:  $\leq 12\text{ m/s}$ Temperature:  $-30^{\circ}\text{C} \sim +200^{\circ}\text{C}$ 

- Rotary Ring(Plastic Carbon/Carbon/SiC/TC)
- Stationary Ring(Ceramic/SiC/TC)
- Secondary Seal(NBR/EPDM/VITON)
- Spring & Other Parts(SUS304)

CCN = Carbon, Ceramic, Nitrile

CCV = Carbon, Ceramic, Viton

SSV = Silicon, Silicon, Viton


**NUMBAT**





**MECHANICAL SEALS**

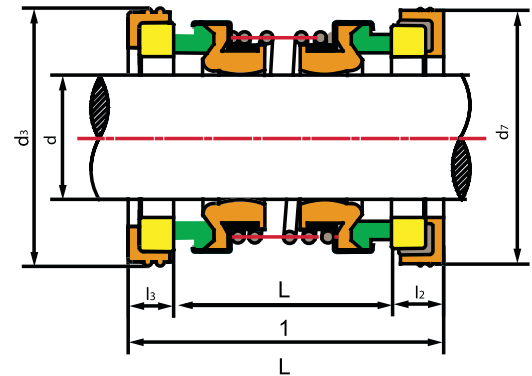
Part No	d	d3	d7	L1	L2	L3	L
N560D-13mm	13.00	25.00	25.00	36.00	5.00	5.00	46.00
N560D-14mm	14.00	30.00	30.00	37.00	5.00	5.00	47.00
N560D-15mm	15.00	30.00	30.00	37.00	5.00	5.00	47.00
N560D-16mm	16.00	30.00	30.00	37.00	5.00	5.00	47.00
N560D-18mm	18.00	35.00	38.00	49.00	7.00	10.00	66.00
N560D-19mm	19.00	35.00	38.00	49.00	7.00	10.00	66.00
N560D-20mm	20.00	38.00	44.00	49.00	7.00	7.00	63.00
N560D-20mm	20.00	38.00	38.00	50.00	7.50	8.60	66.10
N560D-24mm	24.00	39.00	44.00	51.00	7.00	7.00	65.00
N560D-24mm	24.00	38.00	50.00	51.00	8.00	8.60	67.60
N560D-25mm	25.00	44.00	50.00	51.00	7.00	7.00	60.80
N560D-25mm	25.00	44.00	44.00	50.00	8.00	8.60	66.60
N560D-30mm	30.00	44.00	57.00	60.00	10.70	10.70	81.40
N560D-30mm	30.00	50.00	57.00	60.00	8.00	9.00	77.00
N560D-30/35mm	35.00	57.00	58.00	60.00	11.00	10.00	81.00
N560D-35mm	35.00	54.00	64.00	60.00	9.00	9.00	78.00
N560D-35mm	35.00	58.00	58.00	60.00	10.70	10.70	81.40
N560D-40mm	40.00	68.00	70.00	65.00	12.00	12.00	89.00
N560D-40mm	40.00	64.00	70.00	65.00	11.00	9.00	85.00
N560D-45mm	45.00	66.00	70.00	65.00	10.00	9.00	84.00
N560D-50mm	50.00	72.00	80.00	69.00	10.00	9.00	88.00

**Operating Limits**

Pressure:  $\leq 0.3\text{MPa}$   
 Speed:  $\leq 10\text{ m/s}$   
 Temperature:  $-30^{\circ}\text{C} \sim +200^{\circ}\text{C}$

- Rotary Ring(Plastic Carbon/Carbon/SiC/
- Stationary Ring(Ceramic/SiC/TC)
- Secondary Ring(NBR/EPDM/VITON)
- Spring and Other Parts(SUS304)

CCN = Carbon, Ceramic, Nitrile  
 CCV = Carbon, Ceramic, Viton  
 SSV = Silicon, Silicon, Viton





**MECHANICAL SEALS**

				<b>L1</b>	<b>L4</b>	<b>L</b>
N2100-10mm	10.00	20.00	21.00	15.0	5.00	21.0
N2100-12mm	12.00	22.00	23.00	15.0	6.00	21.0
N2100-14mm	14.00	24.00	25.00	15.0	6.00	21.0
N2100-15mm	15.00	25.00	26.00	15.0	6.00	21.0
N2100-16mm	16.00	26.00	27.00	15.0	6.00	21.0
N2100-18mm	18.00	32.00	33.00	20.0	6.00	26.0
N2100-20mm	20.00	34.00	35.00	20.0	6.00	26.0
N2100-22mm	22.00	36.00	37.00	20.0	6.00	26.0
N2100-24mm	24.00	38.00	39.00	20.0	6.00	26.0
N2100-25mm	25.00	39.00	40.00	20.0	6.00	26.0
N2100-28mm	28.00	42.00	43.00	26.0	6.00	33.0
N2100-30mm	30.00	44.00	45.00	26.0	7.00	33.0
N2100-32mm	32.00	46.00	48.00	26.0	7.00	33.0
N2100-33mm	33.00	47.00	48.00	26.0	7.00	33.0
N2100-35mm	35.00	49.00	50.00	26.0	8.00	34.0
N2100-38mm	38.00	54.00	56.00	30.0	8.00	38.0
N2100-40mm	40.00	56.00	58.00	30.0	8.00	38.0
N2100-43mm	43.00	59.00	61.00	30.0	8.00	38.0
N2100-45mm	45.00	61.00	63.00	30.0	8.00	38.0
N2100-48mm	48.00	64.00	66.00	30.0	10.00	40.0
N2100-50mm	50.00	66.00	70.00	30.0	10.00	40.0
N2100-53mm	53.00	69.00	73.00	30.0	10.00	40.0
N2100-55mm	55.00	71.00	75.00	30.0	10.00	40.0
N2100-58mm	58.00	78.00	78.00	33.0	10.00	43.0
N2100-60mm	60.00	80.00	80.00	33.0	12.70	45.7
N2100-63mm	63.00	83.00	83.00	33.0	12.70	45.7
N2100-65mm	65.00	85.00	85.00	33.0	12.70	45.7
N2100-68mm	68.00	88.00	90.00	33.0	12.00	45.0
N2100-70mm	70.00	90.00	92.00	33.0	12.70	45.7
N2100-75mm	75.00	99.00	97.00	40.0	12.70	52.7
N2100-80mm	80.00	104.00	105.00	40.0	14.00	54.0
N2100-85mm	85.00	109.00	110.00	40.0	14.00	54.0
N2100-90mm	90.00	114.00	115.00	40.0	14.00	54.0
N2100-95mm	95.00	119.00	120.00	40.0	14.00	54.0
N2100-100mm	100.00	124.00	125.00	40.0	14.00	54.0

**Equivalent**

HC1, B05, B052



**Operating Limits**

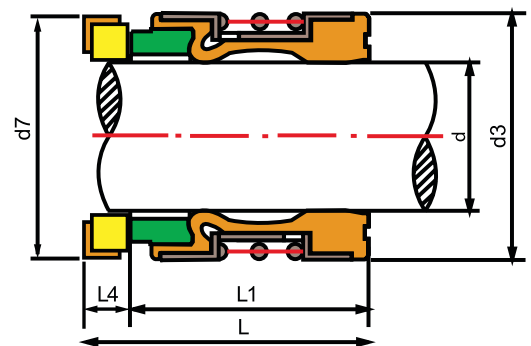
Pressure: ≤1.6MPa  
 Speed: ≤15 m/s  
 Temperature: -30°C ~ +150°C

- Rotary Ring(Carbon/SiC/TC)
- Stationary Ring(Ceramic/SiC/TC)
- Secondary Seal(NBR/EPDM/VITON)
- Spring & Other Parts(SUS304)

CCN = Carbon, Ceramic, Nitrile

CSV = Carbon, Silicon, Viton

SSV = Silicon, Silicon, Viton





## MECHANICAL SEALS

## N2100K NUMBAT MECHANICAL SEAL

Part No	d	d3	d7	L1	L4	L
N2100K-10mm	10.00	20.00	21.00	27.5	5.00	32.50
N2100K-12mm	12.00	22.00	23.00	26.5	6.00	32.50
N2100K-14mm	14.00	24.00	25.00	29.0	6.00	35.0
N2100K-15mm	15.00	25.00	26.00	29.0	6.00	35.0
N2100K-16mm	16.00	26.00	27.00	29.0	6.00	35.0
N2100K-18mm	18.00	32.00	33.00	31.5	6.00	37.5
N2100K-20mm	20.00	34.00	35.00	31.5	6.00	37.5
N2100K-22mm	22.00	36.00	37.00	31.5	6.00	37.5
N2100K-24mm	24.00	38.00	39.00	34.0	6.00	40.0
N2100K-25mm	25.00	39.00	40.00	34.0	6.00	40.0
N2100K-28mm	28.00	42.00	43.00	36.5	6.00	42.5
N2100K-30mm	30.00	44.00	45.00	35.5	7.00	42.5
N2100K-32mm	32.00	46.00	48.00	35.5	7.00	42.5
N2100K-33mm	33.00	47.00	48.00	35.5	7.00	42.5
N2100K-35mm	35.00	49.00	50.00	34.5	8.00	42.5
N2100K-38mm	38.00	54.00	56.00	37.0	8.00	45.0
N2100K-40mm	40.00	56.00	58.00	37.0	8.00	45.0
N2100K-43mm	43.00	59.00	61.00	37.0	8.00	45.0
N2100K-45mm	45.00	61.00	63.00	37.0	8.00	45.0
N2100K-48mm	48.00	64.00	66.00	37.0	10.00	45.0
N2100K-50mm	50.00	66.00	70.00	37.5	10.00	47.5
N2100K-53mm	53.00	69.00	73.00	37.5	10.00	47.5
N2100K-55mm	55.00	71.00	75.00	37.5	10.00	47.5
N2100K-58mm	58.00	78.00	78.00	42.5	10.00	52.5
N2100K-60mm	60.00	80.00	80.00	40.5	12.00	52.5
N2100K-63mm	63.00	83.00	83.00	40.5	12.00	52.5
N2100K-65mm	65.00	85.00	85.00	40.5	12.00	52.5
N2100K-68mm	68.00	88.00	90.00	40.5	12.00	52.5
N2100K-70mm	70.00	90.00	92.00	48.0	12.00	60.0
N2100K-75mm	75.00	99.00	97.00	48.0	12.00	60.0
N2100K-80mm	80.00	104.00	105.00	47.5	14.00	61.50
N2100K-85mm	85.00	109.00	110.00	47.5	14.00	61.50
N2100K-90mm	90.00	114.00	115.00	52.5	14.00	66.50
N2100K-95mm	95.00	119.00	120.00	52.5	14.00	66.50
N2100K-100mm	100.00	124.00	125.00	52.5	14.00	66.50

## Equivalent

HC12, B05, B052



## Operating Limits

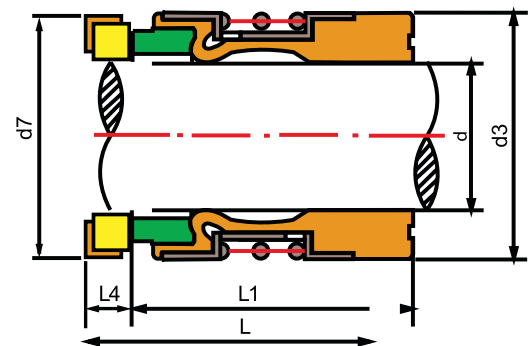
Pressure:  $\leq 1.6\text{MPa}$   
 Speed:  $\leq 15\text{ m/s}$   
 Temperature:  $-30^{\circ}\text{C} \sim +150^{\circ}\text{C}$

- Rotary Ring(Carbon/SiC/TC)
- Stationary Ring(Ceramic/SiC/TC)
- Secondary Seal(NBR/EPDM/VITON)
- Spring & Other Parts(SUS304)

CCN = Carbon, Ceramic, Nitrile

CSV = Carbon, Silicon, Viton

SSV = Silicon, Silicon, Viton





**MECHANICAL SEALS**

**N502 NUMBAT MECHANICAL SEAL**

Part No	d	d3	d7	L1	L4	L
N502-12mm	12.00	22.60	22.50	20.5	12.00	32.5
N502-14mm	14.00	24.00	25.00	23.0	12.00	35.0
N502-16mm	16.00	26.00	27.00	23.0	12.00	35.0
N502-18mm	18.00	32.00	33.00	24.0	13.50	37.5
N502-20mm	20.00	34.00	35.00	24.0	13.50	37.5
N502-22mm	22.00	36.00	37.00	26.50	13.50	37.5
N502-24mm	24.00	38.00	39.00	26.70	13.30	40.0
N502-25mm	25.00	39.00	40.00	27.0	13.00	40.0
N502-28mm	28.00	42.00	43.00	30.0	12.50	42.5
N502-30mm	30.00	44.00	45.00	30.50	12.00	42.5
N502-32mm	32.00	46.00	48.00	30.50	12.00	42.5
N502-33mm	33.00	47.00	48.00	30.50	12.00	42.5
N502-35mm	35.00	49.00	50.00	30.50	12.00	42.5
N502-38mm	38.00	54.00	56.00	32.0	13.00	45.0
N502-40mm	40.00	56.00	58.00	32.0	13.00	45.0
N502-43mm	43.00	59.00	61.00	32.0	13.00	45.0
N502-45mm	45.00	61.00	63.00	32.0	13.00	45.0
N502-48mm	48.00	64.00	66.00	32.0	13.00	45.0
N502-50mm	50.00	66.00	70.00	34.0	13.50	47.5
N502-53mm	53.00	69.00	73.00	34.0	13.50	47.5
N502-55mm	55.00	71.00	75.00	34.0	13.50	47.5
N502-58mm	58.00	78.00	78.00	39.0	13.50	52.5
N502-60mm	60.00	80.00	80.00	39.0	13.50	52.5
N502-63mm	63.00	83.00	83.00	39.0	13.50	52.5
N502-65mm	65.00	85.00	85.00	39.0	13.50	52.5
N502-68mm	68.00	88.00	90.00	39.0	13.50	52.5
N502-70mm	70.00	89.00	92.00	45.5	14.50	60.0
N502-75mm	75.00	96.00	97.00	45.5	14.50	60.0
N502-80mm	80.00	104.00	105.00	45.0	15.00	60.0
N502-85mm	85.00	108.00	110.00	45.0	15.00	60.0
N502-90mm	90.00	114.00	115.00	50.0	15.00	65.0
N502-95mm	95.00	118.00	120.00	50.0	15.00	65.0
N502-100mm	100.00	124.00	125.00	50.0	15.00	65.0

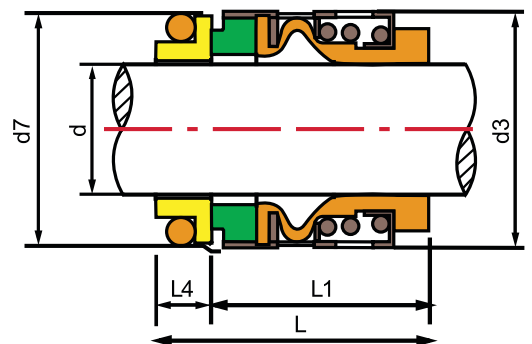


**Operating Limits**

Pressure:  $\leq 4\text{MPa}$   
 Speed:  $\leq 13\text{m/s}$   
 Temperature:  $-30^{\circ}\text{C} \sim +200^{\circ}\text{C}$

- Rotary Ring (Carbon/SiC/TC)
- Stationary Ring (99% Ceramic/SiC/TC)
- Secondary Seal (VITON/NBR/EPDM)
- Spring & Other Parts (SUS304)

CCN = Carbon, Ceramic, Nitrile  
 CCV = Carbon, Ceramic, Viton  
 SSV = Silicon, Silicon, Viton





## MECHANICAL SEALS

**RICAMBI SEAL & O-RING KITS (To Suit Flygt Pumps)****2000 SERIES**

<b>Part No</b>	<b>Suit Pump</b>	<b>Each</b>
RFL-CA66	Seal Kit To Suit 2066 Pump	
RFL-CB02.040	Seal Kit to suit 2102.040 Pump	
RFL-CB02.041	Seal Kit to suit 2102.041 Pump	
RFL-CB25/40S	Seal Kit to suit 2125 & 2140 Pump	
RFL-CB51.010	Seal Kit to suit 2151.010 Pump	
RFL-CB51.011	Seal Kit to suit 2151.011 Pump	
RFL-CC01.010	Seal Kit to suit 2201.010 Pump	
RFL-CC01.011LT	Seal Kit to 2201.011LT Pump	
RFL-CC01.011S	Seal Kit to 2201.011 Pump	
RFL-CC50	Seal Kit to suit 2250 Pump	
RFL-CE00	Seal Kit to suit 2400 Pump	
RFL-CG20	Seal & O-Ring kit to suit 2620 pump	
RFL-CG40	Cartridge Seal & O Ring Kit to suit 2640 Pump	
RFL-CG60	Seal kit to suit 2660 pump	
RFL-CG70	Seal kit to suit 2670 pump	

- To suit Flygt pumps
- High quality construction
- Proven performance
- Bearing sizes available on request



## MECHANICAL SEALS

**RICAMBI SEAL & O-RING KITS (To Suit Flygt Pumps)****3000 SERIES**

<b>Part No</b>	<b>Suit Pump</b>	<b>Each</b>
RFL-DA57/67S	Seal Kit to suit 3057/3067 Pump	
RFL-DA68S	Seal Kit to suit 3068 Pump	
RFL-DA82	Seal & O-Ring Kit to suit 3082 pump	
RFL-DA85S	Seal Kit to suit 3085 Pump	
RFL-DB01	Seal & O-Ring Kit to suit 3101 pump	
RFL-DB02S	Seal Kit to suit 3102 Pump	
RFL-DB26	Seal Kit to suit 3126 Pump	
RFL-DB27S	Seal Kit to suit 3127 Pump	
RFL-DB40/52S	Seal & O-Ring Kit to suit 3140 & 3152 pumps	
RFL-DB51	Seal & O-Ring Kit to suit 3151 pump	
RFL-DB53	Seal Kit to suit 3153 Pump	
RFL-DB70/DC01S	Seal Kit to suit 3170/3201 Pump	
RFL-DB71	Seal & O-Ring Kit to suit 3171 (Cartridge) pump	
RFL-DC02	Mechanical Seal & O-Ring Kit to Suit 3202	
RFL-DD00	Seal Kit to suit 3300 Pump	
RFL-DD01	Seal Kit to suit 3301 Pump	
RFL-ED51	Seal & O-Ring Kit to suit 4351 mixer	
RFL-EE40	Seal & O-Ring Kit to suit 4440 (Upper/Lower) mixer	
RFL-EG10	Seal & O Ring Kit to suit 4610 Pump	
RFL-EG40	Seal & O Ring Kit to Suit 4640.410	
RFL-EG50/60	Seal & O-Ring Kit to suit 4650.410 & 4660.410	
RFL-EG50/60P	Seal & O-Ring Kit to suit 4650 & 4650 (Cartridge) mixer	
RFL-EG70	Seal & O-Ring Kit to suit 4670 (Upper/Lower) mixer	



- To suit Flygt pumps
- High quality construction
- Proven performance
- Bearing sizes available on request





**BORE PUMP ACCESSORIES**

**PVC SHROUD ADAPTOR**

Part No	Size	Each	Qty of 5
SA10032	32 x 100mm	\$78.25	
SA10040	40 x 100mm	\$78.25	
SA10050	50 x 100mm	\$78.25	



**BORE CAP**

Part No	Size	Each
BC32	32mm BSPF	
BC40	40mm BSPF	
BC50	50mm BSPF	



**BORE ADAPTOR KIT**

Part No	Size	Each
BAK32	32mm	
BAK40	40mm	
BAK50	50mm	

- Convenient kit including:
  - Bore Cap
  - Gal Riser
  - Hose Clamps
  - PVC Shroud Adaptor
  - Gal Socket
  - Rivets



**STAINLESS STEEL WIRE ROPE**

Part No	Structure	Size	Material	Each
SSWR40	7 x 9	4mm x 305m Spool	316SS	
SSG40	Wire Grip	4mm	316SS	

- 316SS marine grade
- Metallurgical lab quality





**BRAIDED HOSE**

		<b>Each</b>	<b>Qty of 10+</b>
308.0303	1/2" - M/F - Suction - 300mm length	\$26.54	
308.0304	1/2" - M/F - Suction - 400mm length	\$29.51	
308.0305	1/2" - M/F - Suction - 500mm length	\$32.51	
308.0306	1/2" - M/F - Suction - 600mm length	\$35.52	
308.0308	1/2" - M/F - Suction - 800mm length	\$41.94	
308.0310	1/2" - M/F - Suction - 1000mm length	\$47.93	

- 1/2" BSPM x 1/2" BSPF nut
- Working temperature: up to 90°C
- Working pressure: up to 16 Bar
- 13mm internal
- Suction rated
- Non kink
- Internal corrugated HDPE tube
- 304 grade SS braiding
- Fibre gasket included



**3/4" MAXAFLEX STAINLESS STEEL BRAIDED HOSE**

<b>Part No</b>	<b>Size</b>	<b>Each</b>	<b>Qty of 10+</b>
308.0403	3/4" - M/F - Suction - 300mm length	\$38.50	
308.0404	3/4" - M/F - Suction - 400mm length	\$43.64	
308.0405	3/4" - M/F - Suction - 500mm length	\$48.36	
308.0406	3/4" - M/F - Suction - 600mm length	\$53.48	
308.0408	3/4" - M/F - Suction - 800mm length	\$63.31	
308.0410	3/4" - M/F - Suction - 1000mm length	\$72.88	

- 3/4" BSPM x 3/4" BSPF nut
- Working temperature: +70°C
- Working pressure: 16 Bar
- 19mm internal
- Suction rated
- Non kink
- Internal corrugated HDPE tube
- 304 grade SS braiding
- Fibre gasket included



**1" MAXAFLEX STAINLESS STEEL BRAIDED HOSE**

<b>Part No</b>	<b>Size</b>	<b>Each</b>	<b>Qty of 10+</b>
308.2503	1" - F/F - Suction - 300mm length FM/FM	\$49.61	
308.2504	1" - F/F - Suction - 400mm length FM/FM	\$52.38	
308.2506	1" - F/F - Suction - 600mm length FM/FM	\$59.50	
308.2508	1" - F/F - Suction - 800mm length FM/FM	\$71.07	

- 1" BSPF x 1" BSPF nut
- Working temperature: up to 110°C
- Working pressure: up to 16 Bar
- 25mm internal
- Suction rated
- Non kink
- Internal corrugated HDPE tube
- 304 grade SS braiding
- Fibre gasket included





**BRAIDED HOSE**



		<b>Each</b>	<b>Qty of 10+</b>
308.0503	1" - M/F - Suction - 300mm length	\$46.39	
308.0504	1" - M/F - Suction - 400mm length	\$52.38	
308.0505	1" - M/F - Suction - 500mm length	\$60.18	
308.0506	1" - M/F - Suction - 600mm length	\$65.23	
308.0508	1" - M/F - Suction - 800mm length	\$71.07	
308.0510	1" - M/F - Suction - 1000mm length	\$84.62	
308.0512	1" - M/F - Suction - 1200mm length	\$115.69	
308.0515	1" - M/F - Suction - 1500mm length	\$139.55	
308.0520	1" - M/F - Suction - 2000mm length	\$148.20	

- 1" BSPM x 1" BSPF nut
- Working temperature: up to 110° C
- Working pressure: up to 16 Bar
- 25mm internal
- Suction rated
- Non kink
- Internal corrugated HDPE tube
- 304 grade SS braiding
- Fibre gasket included



**1 1/4" MAXAFLEX STAINLESS STEEL BRAIDED HOSE**

<b>Part No</b>	<b>Size</b>	<b>Each</b>	<b>Qty of 10+</b>
308.0603	1 1/4" - M/F - Suction - 300mm length	\$110.44	
308.0604	1 1/4" - M/F - Suction - 400mm length	\$114.37	
308.0605	1 1/4" - M/F - Suction - 500mm length	\$118.08	
308.0606	1 1/4" - M/F - Suction - 600mm length	\$131.21	
308.0608	1 1/4" - M/F - Suction - 800mm length	\$153.85	
308.0610	1 1/4" - M/F - Suction - 1000mm length	\$176.99	

- Male & Female
- Working temperature: up to 110° C
- Working pressure: up to 16 Bar
- 1 1/4" BSP
- 32.5mm internal
- Suction rated
- Non kink
- Internal corrugated HDPE tube
- 304 grade SS braiding
- Fibre gasket included



**1 1/2" MAXAFLEX STAINLESS STEEL BRAIDED HOSE**

<b>Part No</b>	<b>Size</b>	<b>Each</b>	<b>Qty of 10+</b>
308.0703	1 1/2" - M/F - 300mm length	\$171.96	
308.0704	1 1/2" - M/F - 400mm length	\$183.97	
308.0705	1 1/2" - M/F - 500mm length	\$196.80	
308.0706	1 1/2" - M/F - 600mm length	\$209.63	
308.0708	1 1/2" - M/F - 800mm length	\$235.30	
308.0710	1 1/2" - M/F - 1000mm length	\$256.67	

- 1 1/2" BSPM x 1 1/2" BSPF nut
- Working temperature: up to 110° C
- Working pressure: up to 12 Bar
- 36mm internal
- Non kink
- Internal corrugated HDPE tube
- 304 grade SS braiding
- Fibre gasket included
- Suction rated



## BRAIDED HOSE

## 2" MAXAFLEX STAINLESS STEEL BRAIDED HOSE

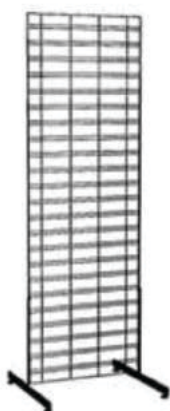
Part No	Size
308.0803	2" - M/F - 300mm length
308.0804	2" - M/F - 400mm length
308.0805	2" - M/F - 500mm length
308.0806	2" - M/F - 600mm length
308.0808	2" - M/F - 800mm length
308.0810	2" - M/F - 1000mm length

- 2" BSPM x 2" BSPF nut
- Working temperature: up to 110° C
- Working pressure: up to 12 Bar
- 48mm internal
- Internal corrugated HDPE tube
- 304 grade SS braiding
- Fibre gasket included

## GASKETS SUIT FLEXIBLE HOSES

Part No	Size
360.002	3/8" - Fibrous
360.003	1/2" - Fibrous
360.004	3/4" - Fibrous
360.005	1" - Fibrous
360.006	1 1/4" - Fibrous
360.007	1 1/2" - Fibrous
360.008	2" - Fibrous
360.009	2 1/2" - Fibrous
360.010	3" - Fibrous

*Talk to us about a display stand for your shop*





# Pump Accessories

**Pressure Switches**

**Pressure Tanks**

**Constant Pressure Control Units**

**Pump Protection Equipment**

**Level Control Switches**

**Float Switches**

**Flow Switches**

**Bore Pump Accessories**

**Level Probes**

**Pressure Gauges**

**Kelco Controls**

**Capacitors**

**Pump Buckets**



**For Assistance please contact Michael: 0488 917 285 or  
[michael@irrigationdirect.com.au](mailto:michael@irrigationdirect.com.au)**